

# Appendix A:

## Traffic Counts

# Sabra, Wang & Assoc, Inc

7055 Samuel Morse Dr, Suite 100

Columbia, MD 21046

443-741-3500

Weather: SUNNY  
 Counted By: GARY  
 Town: SILVER SPRING  
 County: MONTGOMERY

File Name : Beltsville Rd at Calverton Rd  
 Site Code : 00000000  
 Start Date : 5/28/2015  
 Page No : 1

## Groups Printed- VEHS&PEDS

Start Time	BELTSVILLE RD From North					CALVERTON BLVD From East					NO ENTRANCE From South					CALVERTON BLVD From West					Int. Total
	Right	Thru	Left	Peds	App. Total	Right	Thru	Left	Peds	App. Total	Right	Thru	Left	Peds	App. Total	Right	Thru	Left	Peds	App. Total	
06:00 AM	7	0	2	1	10	0	84	0	0	84	0	0	0	0	0	0	51	6	0	57	151
06:15 AM	20	0	1	1	22	1	148	0	0	149	0	0	0	0	0	0	59	1	0	60	231
06:30 AM	21	0	2	0	23	1	198	0	0	199	0	0	0	0	0	0	70	2	0	72	294
06:45 AM	16	0	0	0	16	1	214	0	0	215	0	0	0	0	0	0	89	5	0	94	325
Total	64	0	5	2	71	3	644	0	0	647	0	0	0	0	0	0	269	14	0	283	1001
07:00 AM	18	0	0	0	18	0	200	0	0	200	0	0	0	0	0	0	93	9	0	102	320
07:15 AM	24	0	1	0	25	1	211	0	0	212	0	0	0	0	0	0	106	18	0	124	361
07:30 AM	17	0	2	0	19	3	239	0	0	242	0	0	0	0	0	0	139	12	0	151	412
07:45 AM	25	0	4	1	30	2	263	0	0	265	0	0	0	0	0	0	138	9	0	147	442
Total	84	0	7	1	92	6	913	0	0	919	0	0	0	0	0	0	476	48	0	524	1535
08:00 AM	12	0	0	0	12	1	238	0	0	239	0	0	0	0	0	0	113	4	0	117	368
08:15 AM	17	0	3	1	21	2	212	0	0	214	0	0	0	0	0	0	106	1	0	107	342
08:30 AM	21	0	1	0	22	0	213	0	0	213	0	0	0	0	0	0	118	5	0	123	358
08:45 AM	12	0	0	1	13	1	170	0	0	171	0	0	0	0	0	0	110	3	0	113	297
Total	62	0	4	2	68	4	833	0	0	837	0	0	0	0	0	0	447	13	0	460	1365
09:00 AM	9	0	1	1	11	1	135	0	0	136	0	0	0	0	0	0	104	8	1	113	260
09:15 AM	5	0	0	1	6	1	103	0	0	104	0	0	0	0	0	0	115	3	0	118	228
09:30 AM	6	0	2	0	8	1	94	0	0	95	0	0	0	0	0	0	103	4	0	107	210
09:45 AM	8	0	1	0	9	0	88	0	0	88	0	0	0	0	0	0	91	6	0	97	194
Total	28	0	4	2	34	3	420	0	0	423	0	0	0	0	0	0	413	21	1	435	892
**BREAK**																					
04:00 PM	8	0	0	2	10	2	129	0	0	131	0	0	0	0	0	0	105	17	0	122	263
04:15 PM	13	0	0	0	13	2	136	0	0	138	0	0	0	0	0	0	145	10	0	155	306
04:30 PM	14	0	2	1	17	0	136	0	0	136	0	0	0	0	0	0	136	19	0	155	308
04:45 PM	8	0	1	0	9	3	143	0	0	146	0	0	0	0	0	0	149	16	0	165	320
Total	43	0	3	3	49	7	544	0	0	551	0	0	0	0	0	0	535	62	0	597	1197
05:00 PM	12	0	1	1	14	1	157	0	0	158	0	0	0	0	0	0	132	14	1	147	319
05:15 PM	7	0	1	2	10	0	184	0	0	184	0	0	0	0	0	0	129	18	0	147	341
05:30 PM	5	0	1	0	6	1	137	0	0	138	0	0	0	0	0	0	157	17	0	174	318

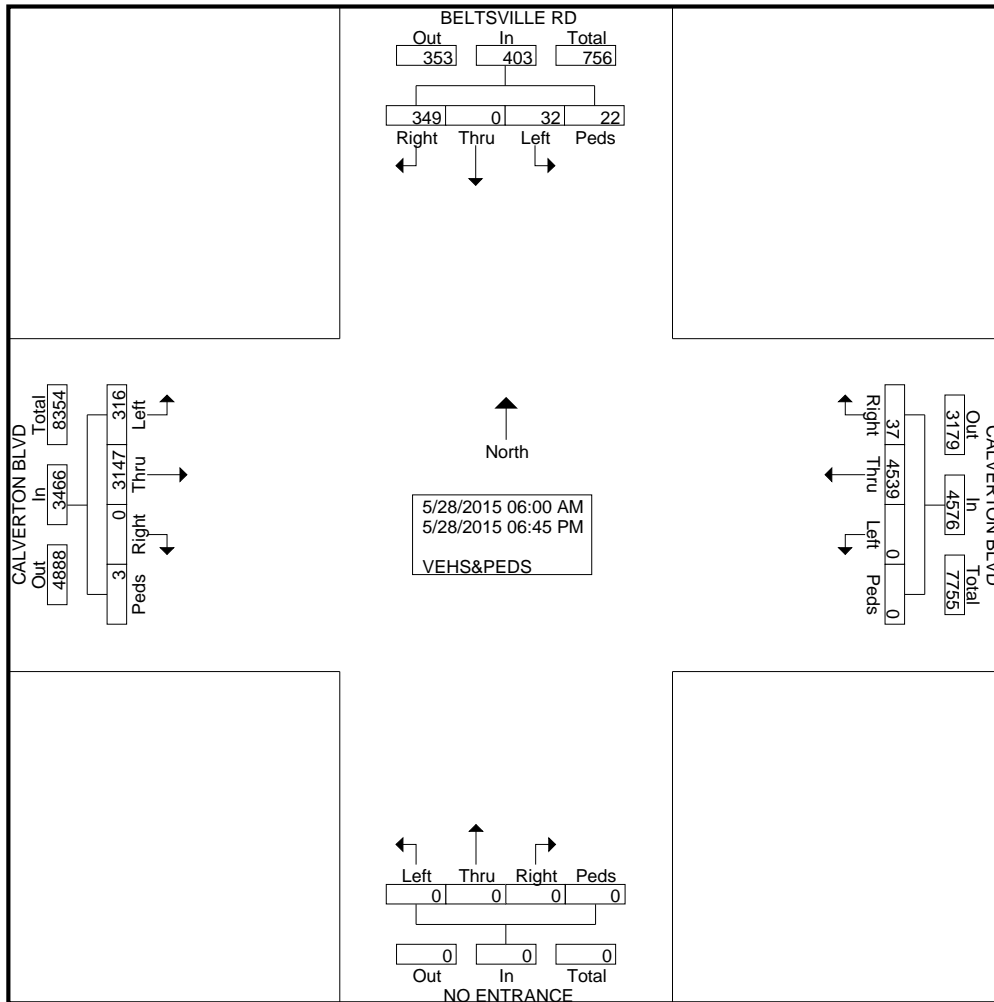
# Sabra, Wang & Assoc, Inc

7055 Samuel Morse Dr, Suite 100  
Columbia, MD 21046  
443-741-3500

File Name : Beltsville Rd at Calverton Rd  
Site Code : 00000000  
Start Date : 5/28/2015  
Page No : 2

Groups Printed- VEHS&PEDS

Start Time	BELTSVILLE RD From North					CALVERTON BLVD From East					NO ENTRANCE From South					CALVERTON BLVD From West					Int. Total
	Right	Thru	Left	Peds	App. Total	Right	Thru	Left	Peds	App. Total	Right	Thru	Left	Peds	App. Total	Right	Thru	Left	Peds	App. Total	
05:45 PM	5	0	2	3	10	3	149	0	0	152	0	0	0	0	0	0	145	26	0	171	333
Total	29	0	5	6	40	5	627	0	0	632	0	0	0	0	0	0	563	75	1	639	1311
06:00 PM	7	0	1	1	9	2	145	0	0	147	0	0	0	0	0	0	134	32	0	166	322
06:15 PM	10	0	2	3	15	4	157	0	0	161	0	0	0	0	0	0	110	16	1	127	303
06:30 PM	10	0	1	0	11	2	138	0	0	140	0	0	0	0	0	0	108	19	0	127	278
06:45 PM	12	0	0	2	14	1	118	0	0	119	0	0	0	0	0	0	92	16	0	108	241
Total	39	0	4	6	49	9	558	0	0	567	0	0	0	0	0	0	444	83	1	528	1144
Grand Total	349	0	32	22	403	37	4539	0	0	4576	0	0	0	0	0	0	3147	316	3	3466	8445
Apprch %	86.6	0	7.9	5.5		0.8	99.2	0	0		0	0	0	0	0	0	90.8	9.1	0.1		
Total %	4.1	0	0.4	0.3	4.8	0.4	53.7	0	0	54.2	0	0	0	0	0	0	37.3	3.7	0	41	



# Sabra, Wang & Assoc, Inc

7055 Samuel Morse Dr, Suite 100  
Columbia, MD 21046  
443-741-3500

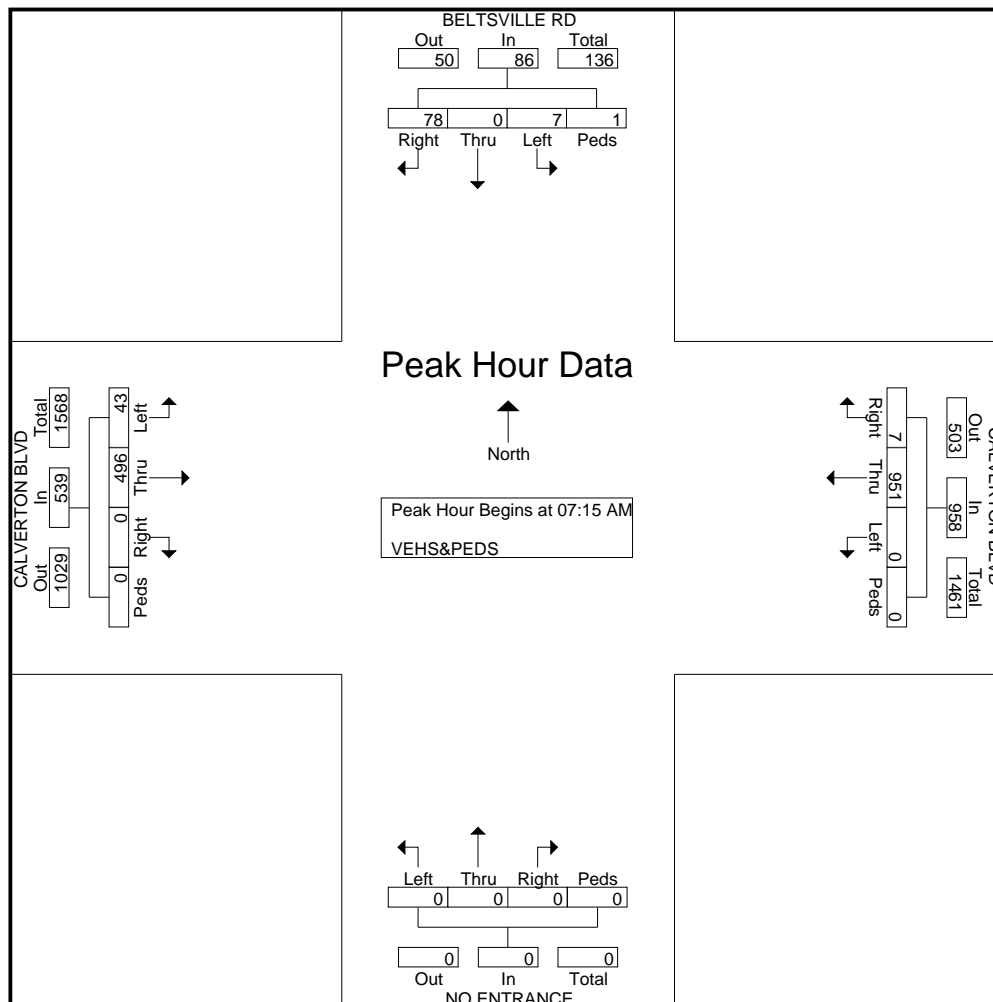
File Name : Beltsville Rd at Calverton Rd  
Site Code : 00000000  
Start Date : 5/28/2015  
Page No : 3

Start Time	BELTSVILLE RD From North					CALVERTON BLVD From East					NO ENTRANCE From South					CALVERTON BLVD From West					Int. Total
	Right	Thru	Left	Peds	App. Total	Right	Thru	Left	Peds	App. Total	Right	Thru	Left	Peds	App. Total	Right	Thru	Left	Peds	App. Total	

Peak Hour Analysis From 06:00 AM to 11:45 AM - Peak 1 of 1

Peak Hour for Entire Intersection Begins at 07:15 AM

07:15 AM	24	0	1	0	25	1	211	0	0	212	0	0	0	0	0	0	106	<b>18</b>	0	124	361
07:30 AM	17	0	2	0	19	<b>3</b>	239	0	0	242	0	0	0	0	0	0	<b>139</b>	12	0	<b>151</b>	412
07:45 AM	<b>25</b>	0	<b>4</b>	<b>1</b>	<b>30</b>	2	<b>263</b>	0	0	<b>265</b>	0	0	0	0	0	0	138	9	0	147	<b>442</b>
08:00 AM	12	0	0	0	12	1	238	0	0	239	0	0	0	0	0	0	113	4	0	117	368
Total Volume	78	0	7	1	86	7	951	0	0	958	0	0	0	0	0	0	496	43	0	539	1583
% App. Total	90.7	0	8.1	1.2		0.7	99.3	0	0		0	0	0	0		0	92	8	0		
PHF	.780	.000	.438	.250	.717	.583	.904	.000	.000	.904	.000	.000	.000	.000	.000	.000	.892	.597	.000	.892	.895



# Sabra, Wang & Assoc, Inc

7055 Samuel Morse Dr, Suite 100  
Columbia, MD 21046  
443-741-3500

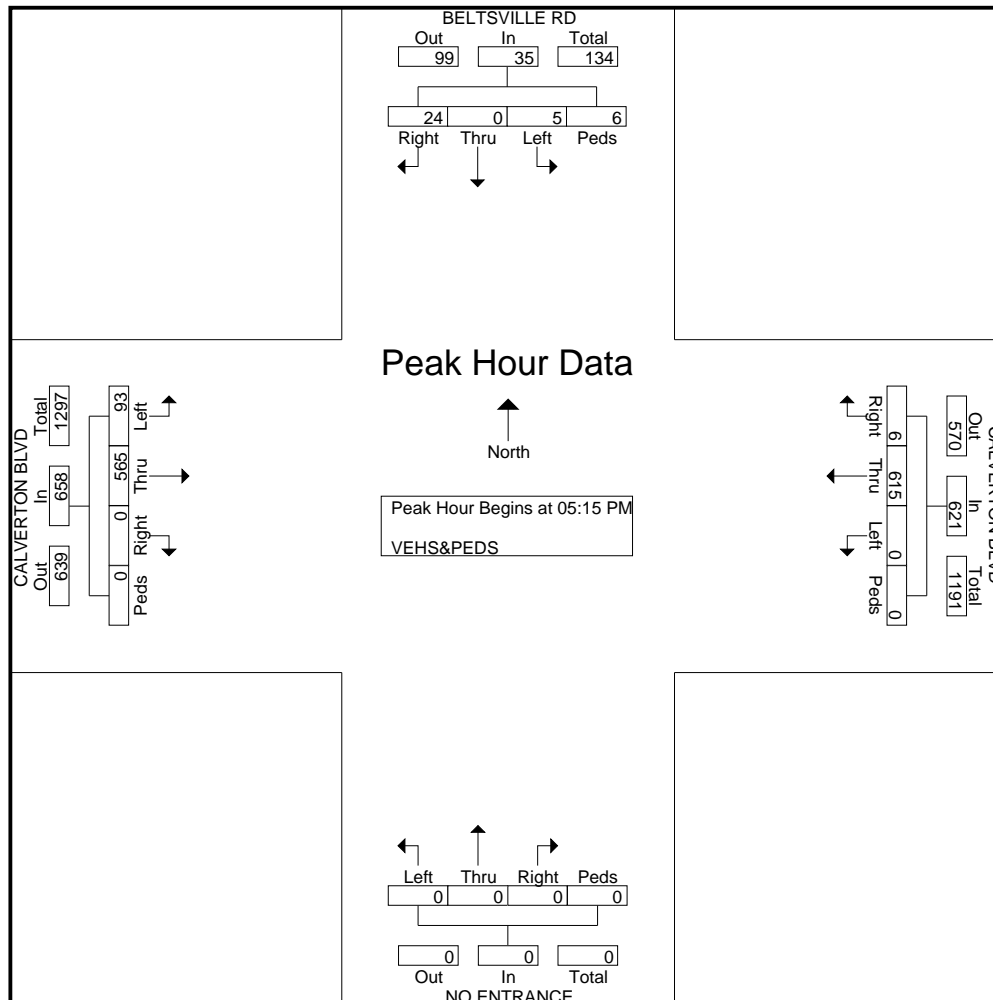
File Name : Beltsville Rd at Calverton Rd  
Site Code : 00000000  
Start Date : 5/28/2015  
Page No : 4

Start Time	BELTSVILLE RD From North					CALVERTON BLVD From East					NO ENTRANCE From South					CALVERTON BLVD From West					Int. Total
	Right	Thru	Left	Peds	App. Total	Right	Thru	Left	Peds	App. Total	Right	Thru	Left	Peds	App. Total	Right	Thru	Left	Peds	App. Total	

Peak Hour Analysis From 12:00 PM to 06:45 PM - Peak 1 of 1

Peak Hour for Entire Intersection Begins at 05:15 PM

05:15 PM	7	0	1	2	10	0	184	0	0	184	0	0	0	0	0	0	129	18	0	147	341
05:30 PM	5	0	1	0	6	1	137	0	0	138	0	0	0	0	0	0	157	17	0	174	318
05:45 PM	5	0	2	3	10	3	149	0	0	152	0	0	0	0	0	0	145	26	0	171	333
06:00 PM	7	0	1	1	9	2	145	0	0	147	0	0	0	0	0	0	134	32	0	166	322
Total Volume	24	0	5	6	35	6	615	0	0	621	0	0	0	0	0	0	565	93	0	658	1314
% App. Total	68.6	0	14.3	17.1		1	99	0	0		0	0	0	0		0	85.9	14.1	0		
PHF	.857	.000	.625	.500	.875	.500	.836	.000	.000	.844	.000	.000	.000	.000	.000	.000	.900	.727	.000	.945	.963



# Sabra, Wang & Assoc, Inc

7055 Samuel Morse Dr, Suite 100  
Columbia, MD 21046  
443-741-3500

Weather: SUNNY  
Counted By: GARY  
Town: SILVER SPRING  
County: MONTGOMERY

File Name : Beltsville Rd at Calverton Rd  
Site Code : 00000000  
Start Date : 5/28/2015  
Page No : 1

Groups Printed- UTurns

Start Time	BELTSVILLE RD From North					CALVERTON BLVD From East					NO ENTRANCE From South					CALVERTON BLVD From West					Int. Total
	Right	Thru	Left	Peds	App. Total	Right	Thru	Left	Peds	App. Total	Right	Thru	Left	Peds	App. Total	Right	Thru	Left	Peds	App. Total	
**BREAK**																					
08:15 AM	0	0	0	0	0	0	0	0	0	0	0	0	0	0	0	0	0	1	0	1	1
**BREAK**																					
Total	0	0	0	0	0	0	0	0	0	0	0	0	0	0	0	0	0	1	0	1	1
**BREAK**																					
04:45 PM	0	0	0	0	0	0	0	0	0	0	0	0	0	0	0	0	0	1	0	1	1
Total	0	0	0	0	0	0	0	0	0	0	0	0	0	0	0	0	0	1	0	1	1
**BREAK**																					
05:30 PM	0	0	1	0	1	0	0	0	0	0	0	0	0	0	0	0	0	0	0	0	1
**BREAK**																					
Total	0	0	1	0	1	0	0	0	0	0	0	0	0	0	0	0	0	0	0	0	1
06:00 PM	0	0	0	0	0	0	0	1	0	1	0	0	0	0	0	0	0	0	0	0	1
**BREAK**																					
Total	0	0	0	0	0	0	0	1	0	1	0	0	0	0	0	0	0	0	0	0	1
Grand Total	0	0	1	0	1	0	0	1	0	1	0	0	0	0	0	0	0	2	0	2	4
Apprch %	0	0	100	0		0	0	100	0		0	0	0	0		0	0	100	0		
Total %	0	0	25	0	25	0	0	25	0	25	0	0	0	0	0	0	0	50	0	50	

# Sabra, Wang & Assoc, Inc

7055 Samuel Morse Dr, Suite 100  
Columbia, MD 21046

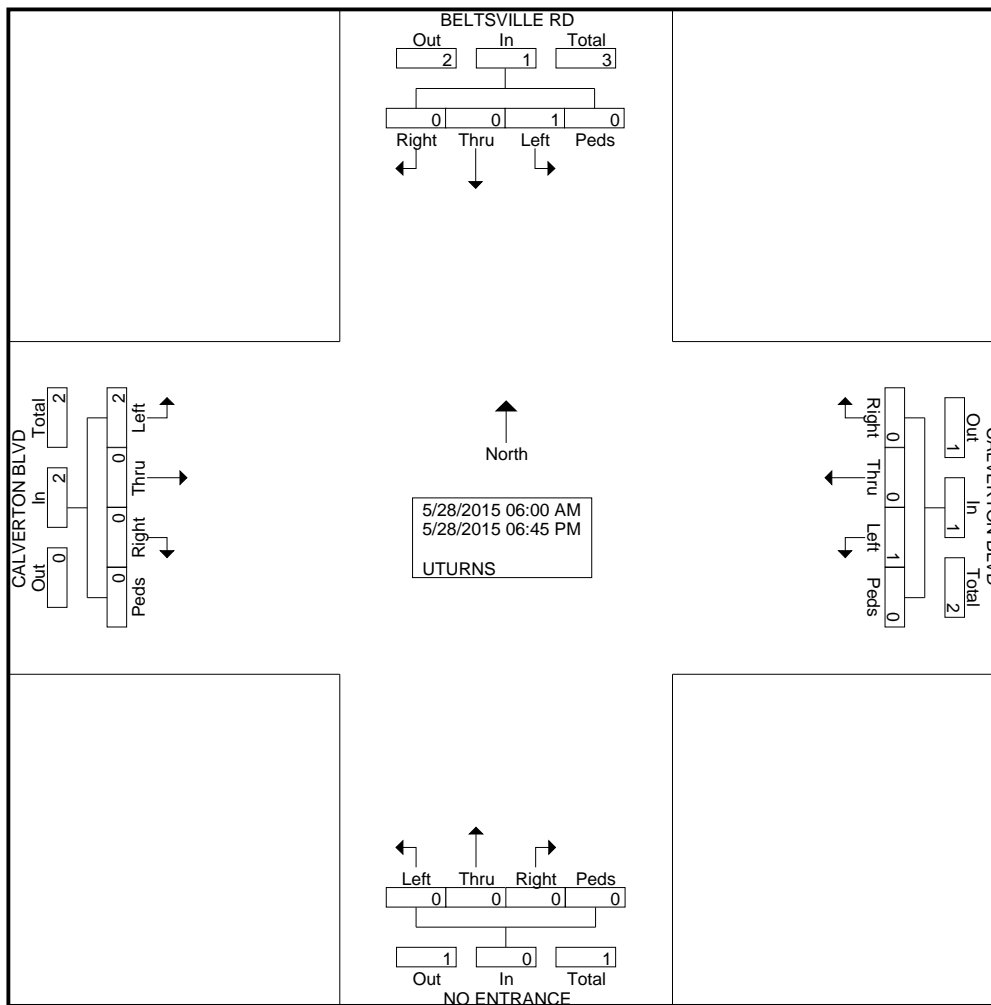
443-741-3500

File Name : Beltsville Rd at Calverton Rd

Site Code : 00000000

Start Date : 5/28/2015

Page No : 2



# Sabra, Wang & Assoc, Inc

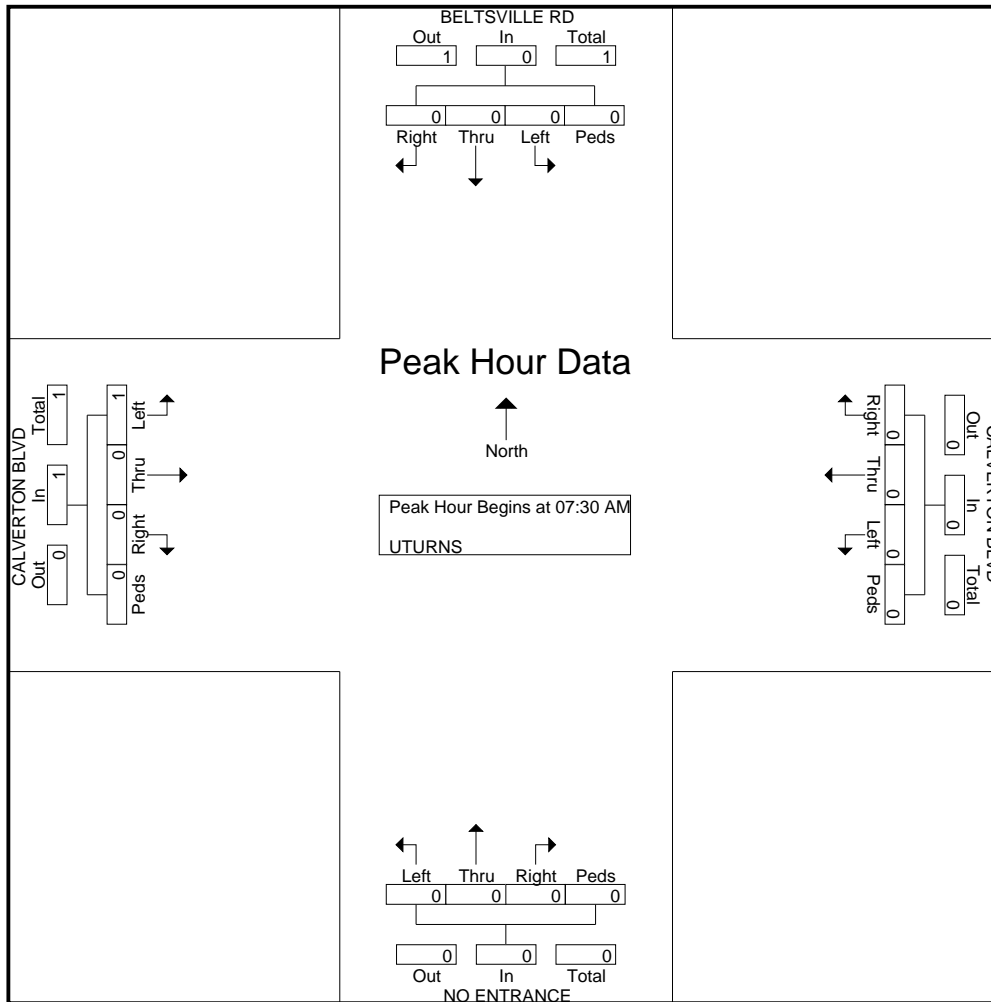
7055 Samuel Morse Dr, Suite 100  
Columbia, MD 21046  
443-741-3500

File Name : Beltsville Rd at Calverton Rd  
Site Code : 00000000  
Start Date : 5/28/2015  
Page No : 3

Start Time	BELTSVILLE RD From North					CALVERTON BLVD From East					NO ENTRANCE From South					CALVERTON BLVD From West					Int. Total	
	Right	Thru	Left	Peds	App. Total	Right	Thru	Left	Peds	App. Total	Right	Thru	Left	Peds	App. Total	Right	Thru	Left	Peds	App. Total		
07:30 AM	0	0	0	0	0	0	0	0	0	0	0	0	0	0	0	0	0	0	0	0	0	0
07:45 AM	0	0	0	0	0	0	0	0	0	0	0	0	0	0	0	0	0	0	0	0	0	0
08:00 AM	0	0	0	0	0	0	0	0	0	0	0	0	0	0	0	0	0	0	0	0	0	0
08:15 AM	0	0	0	0	0	0	0	0	0	0	0	0	0	0	0	0	0	1	0	1	1	1
Total Volume	0	0	0	0	0	0	0	0	0	0	0	0	0	0	0	0	0	1	0	1	1	1
% App. Total	0	0	0	0	0	0	0	0	0	0	0	0	0	0	0	0	0	100	0	0	0	0
PHF	.000	.000	.000	.000	.000	.000	.000	.000	.000	.000	.000	.000	.000	.000	.000	.000	.000	.250	.000	.250	.250	.250

Peak Hour Analysis From 06:00 AM to 11:45 AM - Peak 1 of 1

Peak Hour for Entire Intersection Begins at 07:30 AM





# Sabra, Wang & Assoc, Inc

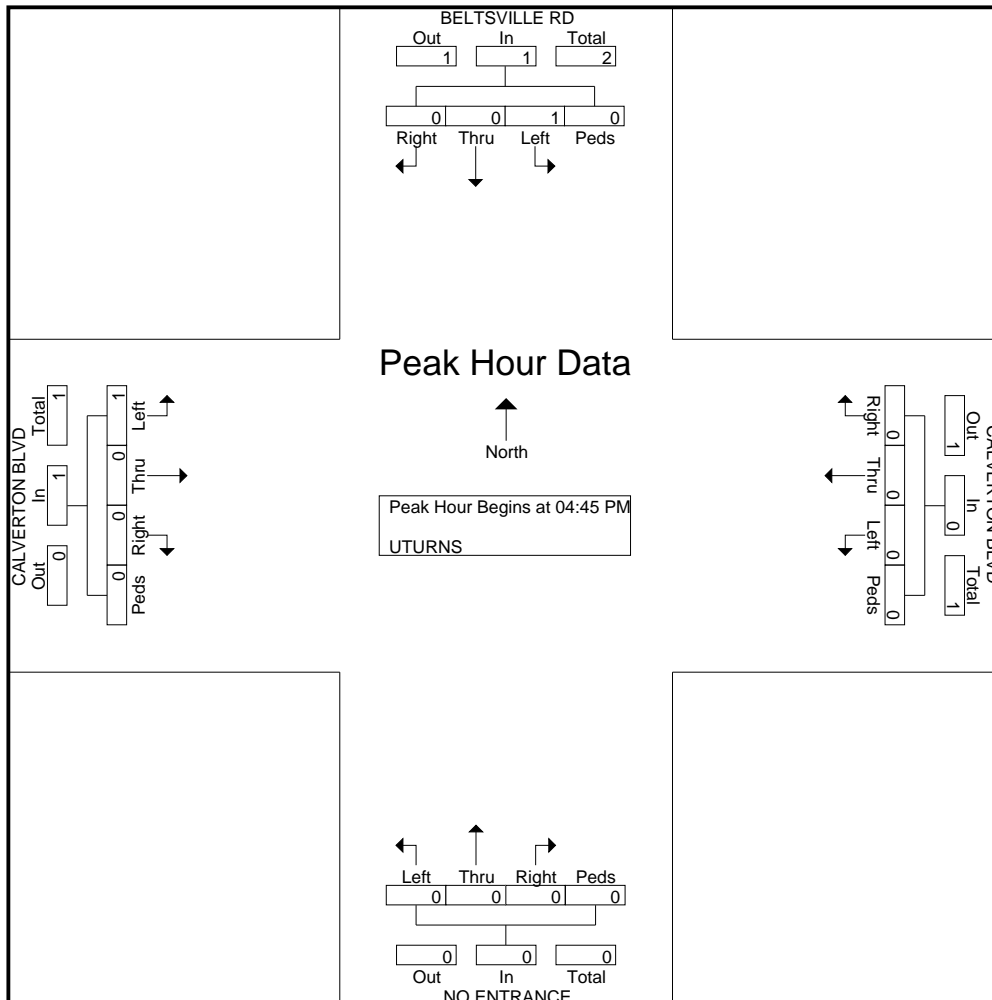
7055 Samuel Morse Dr, Suite 100  
Columbia, MD 21046  
443-741-3500

File Name : Beltsville Rd at Calverton Rd  
Site Code : 00000000  
Start Date : 5/28/2015  
Page No : 4

Start Time	BELTSVILLE RD From North					CALVERTON BLVD From East					NO ENTRANCE From South					CALVERTON BLVD From West					Int. Total
	Right	Thru	Left	Peds	App. Total	Right	Thru	Left	Peds	App. Total	Right	Thru	Left	Peds	App. Total	Right	Thru	Left	Peds	App. Total	
04:45 PM	0	0	0	0	0	0	0	0	0	0	0	0	0	0	0	0	0	1	0	1	1
05:00 PM	0	0	0	0	0	0	0	0	0	0	0	0	0	0	0	0	0	0	0	0	0
05:15 PM	0	0	0	0	0	0	0	0	0	0	0	0	0	0	0	0	0	0	0	0	0
05:30 PM	0	0	1	0	1	0	0	0	0	0	0	0	0	0	0	0	0	0	0	0	1
Total Volume	0	0	1	0	1	0	0	0	0	0	0	0	0	0	0	0	0	1	0	1	2
% App. Total	0	0	100	0		0	0	0	0		0	0	0	0		0	0	100	0		
PHF	.000	.000	.250	.000	.250	.000	.000	.000	.000	.000	.000	.000	.000	.000	.000	.000	.000	.250	.000	.250	.500

Peak Hour Analysis From 12:00 PM to 06:45 PM - Peak 1 of 1

Peak Hour for Entire Intersection Begins at 04:45 PM



# Sabra, Wang & Assoc, Inc

7055 Samuel Morse Dr, Suite 100  
Columbia, MD 21046

443-741-3500

Weather: SUNNY  
Counted By: GARY  
Town: SILVER SPRING  
County: MONTGOMERY

File Name : Beltsville Rd at Calverton Rd  
Site Code : 00000000  
Start Date : 5/28/2015  
Page No : 1

Groups Printed- BICYCLES

Start Time	BELTSVILLE RD From North					CALVERTON BLVD From East					NO ENTRANCE From South					CALVERTON BLVD From West					Int. Total
	Right	Thru	Left	Peds	App. Total	Right	Thru	Left	Peds	App. Total	Right	Thru	Left	Peds	App. Total	Right	Thru	Left	Peds	App. Total	
**BREAK**																					
07:15 AM	0	0	0	1	1	0	0	0	0	0	0	0	0	0	0	0	0	0	0	0	1
**BREAK**																					
Total	0	0	0	1	1	0	0	0	0	0	0	0	0	0	0	0	0	0	0	0	1
**BREAK**																					
08:30 AM	0	0	0	3	3	0	0	0	0	0	0	0	0	0	0	0	0	0	0	0	3
08:45 AM	0	0	0	1	1	0	0	0	0	0	0	0	0	0	0	0	0	0	0	0	1
Total	0	0	0	4	4	0	0	0	0	0	0	0	0	0	0	0	0	0	0	0	4
**BREAK**																					
04:15 PM	0	0	0	5	5	0	0	0	0	0	0	0	0	0	0	0	0	0	0	0	5
**BREAK**																					
Total	0	0	0	5	5	0	0	0	0	0	0	0	0	0	0	0	0	0	0	0	5
05:00 PM	0	0	0	0	0	0	2	0	0	2	0	0	0	0	0	0	0	0	0	0	2
**BREAK**																					
Total	0	0	0	0	0	0	2	0	0	2	0	0	0	0	0	0	0	0	0	0	2
**BREAK**																					
06:30 PM	0	0	0	0	0	0	1	0	0	1	0	0	0	0	0	0	0	0	0	0	1
**BREAK**																					
Total	0	0	0	0	0	0	1	0	0	1	0	0	0	0	0	0	0	0	0	0	1
Grand Total	0	0	0	10	10	0	3	0	0	3	0	0	0	0	0	0	0	0	0	0	13
Apprch %	0	0	0	100		0	100	0	0		0	0	0	0		0	0	0	0		
Total %	0	0	0	76.9	76.9	0	23.1	0	0	23.1	0	0	0	0	0	0	0	0	0	0	

# Sabra, Wang & Assoc, Inc

7055 Samuel Morse Dr, Suite 100  
Columbia, MD 21046

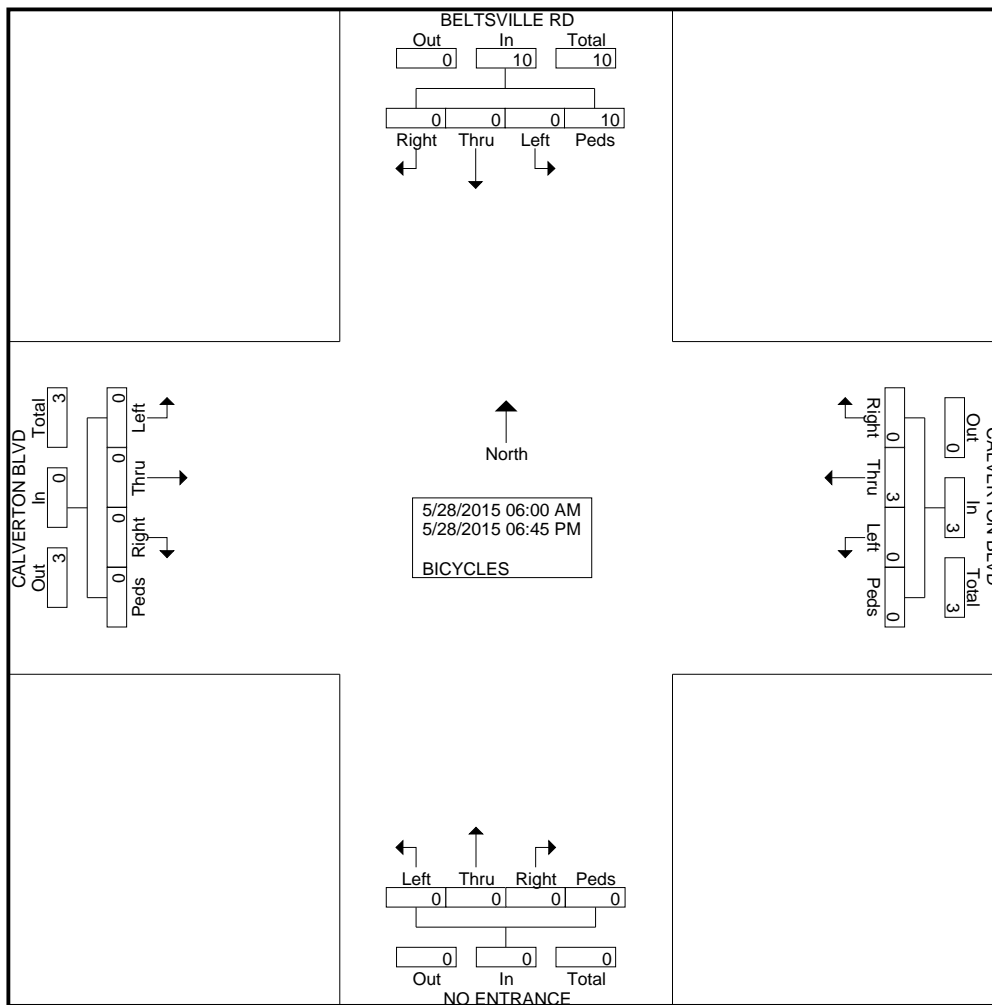
443-741-3500

File Name : Beltsville Rd at Calverton Rd

Site Code : 00000000

Start Date : 5/28/2015

Page No : 2



# Sabra, Wang & Assoc, Inc

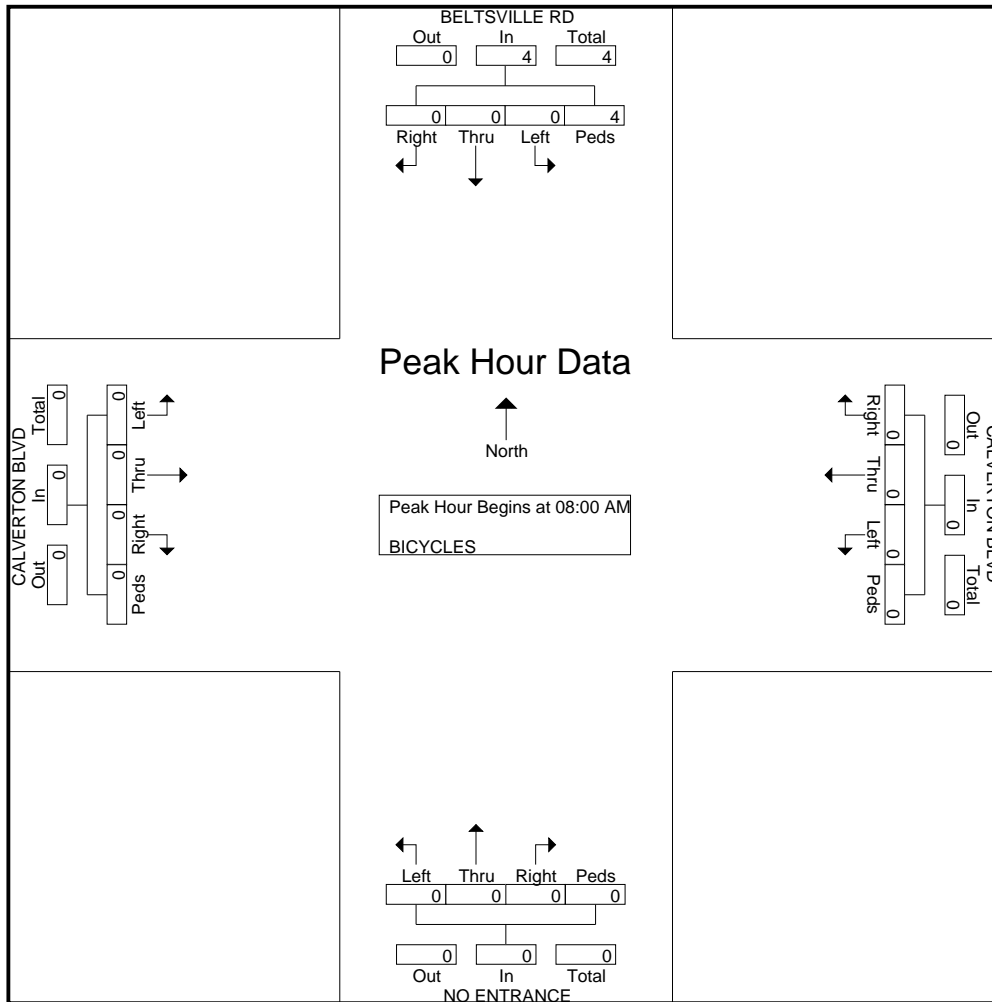
7055 Samuel Morse Dr, Suite 100  
Columbia, MD 21046  
443-741-3500

File Name : Beltsville Rd at Calverton Rd  
Site Code : 00000000  
Start Date : 5/28/2015  
Page No : 3

Start Time	BELTSVILLE RD From North					CALVERTON BLVD From East					NO ENTRANCE From South					CALVERTON BLVD From West					Int. Total
	Right	Thru	Left	Peds	App. Total	Right	Thru	Left	Peds	App. Total	Right	Thru	Left	Peds	App. Total	Right	Thru	Left	Peds	App. Total	
08:00 AM	0	0	0	0	0	0	0	0	0	0	0	0	0	0	0	0	0	0	0	0	0
08:15 AM	0	0	0	0	0	0	0	0	0	0	0	0	0	0	0	0	0	0	0	0	0
08:30 AM	0	0	0	3	3	0	0	0	0	0	0	0	0	0	0	0	0	0	0	0	3
08:45 AM	0	0	0	1	1	0	0	0	0	0	0	0	0	0	0	0	0	0	0	0	1
Total Volume	0	0	0	4	4	0	0	0	0	0	0	0	0	0	0	0	0	0	0	0	4
% App. Total	0	0	0	100		0	0	0	0		0	0	0	0		0	0	0	0		
PHF	.000	.000	.000	.333	.333	.000	.000	.000	.000	.000	.000	.000	.000	.000	.000	.000	.000	.000	.000	.000	.333

Peak Hour Analysis From 06:00 AM to 11:45 AM - Peak 1 of 1

Peak Hour for Entire Intersection Begins at 08:00 AM



# Sabra, Wang & Assoc, Inc

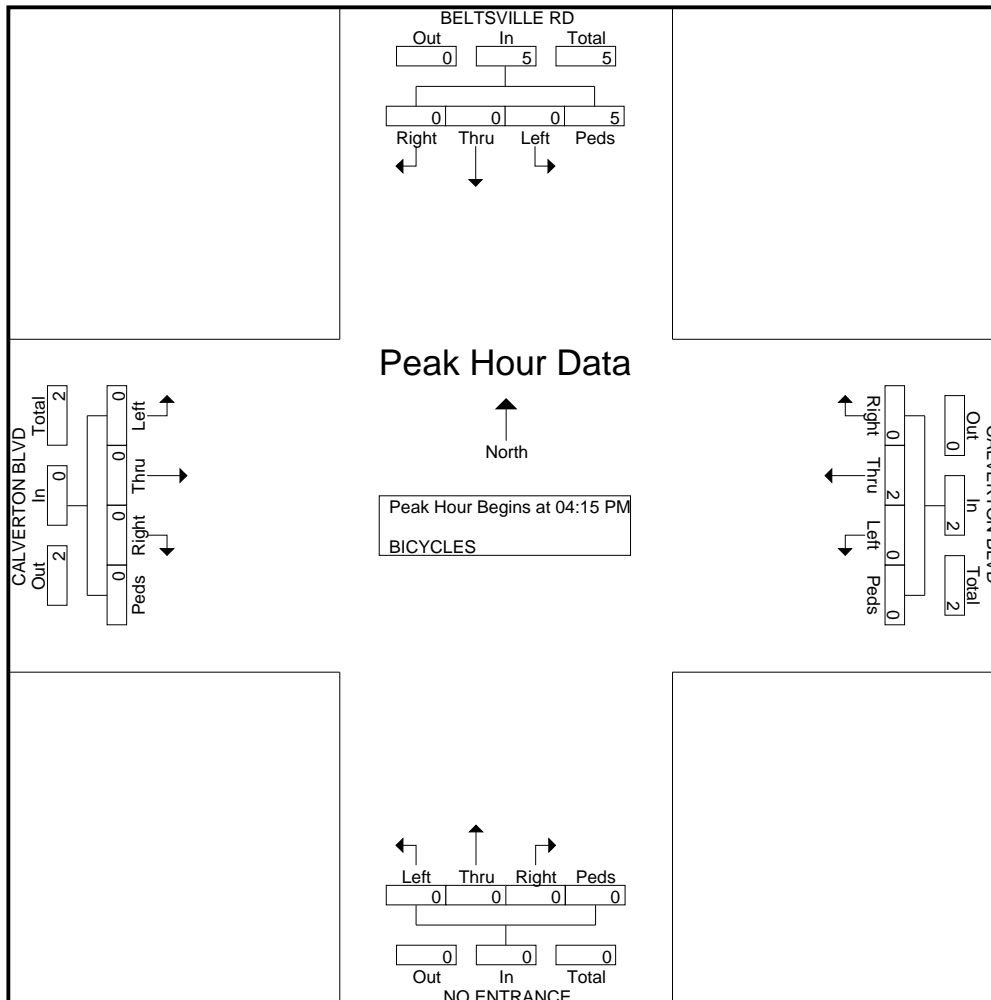
7055 Samuel Morse Dr, Suite 100  
Columbia, MD 21046  
443-741-3500

File Name : Beltsville Rd at Calverton Rd  
Site Code : 00000000  
Start Date : 5/28/2015  
Page No : 4

Start Time	BELTSVILLE RD From North					CALVERTON BLVD From East					NO ENTRANCE From South					CALVERTON BLVD From West					Int. Total
	Right	Thru	Left	Peds	App. Total	Right	Thru	Left	Peds	App. Total	Right	Thru	Left	Peds	App. Total	Right	Thru	Left	Peds	App. Total	
04:15 PM	0	0	0	5	5	0	0	0	0	0	0	0	0	0	0	0	0	0	0	0	5
04:30 PM	0	0	0	0	0	0	0	0	0	0	0	0	0	0	0	0	0	0	0	0	0
04:45 PM	0	0	0	0	0	0	0	0	0	0	0	0	0	0	0	0	0	0	0	0	0
05:00 PM	0	0	0	0	0	0	2	0	0	2	0	0	0	0	0	0	0	0	0	0	2
Total Volume	0	0	0	5	5	0	2	0	0	2	0	0	0	0	0	0	0	0	0	0	7
% App. Total	0	0	0	100		0	100	0	0		0	0	0	0		0	0	0	0		
PHF	.000	.000	.000	.250	.250	.000	.250	.000	.000	.250	.000	.000	.000	.000	.000	.000	.000	.000	.000	.000	.350

Peak Hour Analysis From 12:00 PM to 06:45 PM - Peak 1 of 1

Peak Hour for Entire Intersection Begins at 04:15 PM



# Sabra, Wang & Assoc, Inc

7055 Samuel Morse Dr, Suite 100  
Columbia, MD 21046

443-741-3500

Weather: SUNNY  
Counted By: DEB  
Town: CALVERTON  
County: MONTGOMERY

File Name : Beltsville Rd at Calverton Shopping Ctr Ent  
Site Code : 00000000  
Start Date : 5/28/2015  
Page No : 1

## Groups Printed- VEHS&PEDS

Start Time	BELTSVILLE DR From North					CALVERTON SHOPPING CENTER From East					BELTSVILLE DR From South					CALVERTON SHOPPING CENTER From West					Int. Total
	Right	Thru	Left	Peds	App. Total	Right	Thru	Left	Peds	App. Total	Right	Thru	Left	Peds	App. Total	Right	Thru	Left	Peds	App. Total	
06:00 AM	0	94	7	0	101	13	0	5	2	20	8	86	1	2	97	0	0	0	1	1	219
06:15 AM	0	101	11	0	112	29	0	14	0	43	6	128	3	0	137	0	1	0	0	1	293
06:30 AM	0	112	7	0	119	48	0	19	0	67	9	165	3	0	177	0	0	0	0	0	363
06:45 AM	0	141	10	0	151	56	0	21	1	78	8	180	2	0	190	0	0	0	3	3	422
Total	0	448	35	0	483	146	0	59	3	208	31	559	9	2	601	0	1	0	4	5	1297
07:00 AM	0	147	20	0	167	47	0	31	0	78	12	194	9	0	215	0	0	0	1	1	461
07:15 AM	0	165	16	0	181	60	2	36	1	99	3	194	1	0	198	0	0	0	0	0	478
07:30 AM	0	244	13	0	257	81	2	31	0	114	3	202	4	0	209	0	0	0	1	1	581
07:45 AM	0	170	20	0	190	75	2	44	1	122	11	225	9	0	245	1	0	0	0	1	558
Total	0	726	69	0	795	263	6	142	2	413	29	815	23	0	867	1	0	0	2	3	2078
08:00 AM	2	163	21	0	186	70	0	27	0	97	10	180	8	0	198	0	0	0	2	2	483
08:15 AM	0	150	23	0	173	47	2	27	1	77	10	198	5	1	214	0	0	0	0	0	464
08:30 AM	0	137	18	0	155	55	2	26	0	83	12	176	11	0	199	0	0	0	0	0	437
08:45 AM	0	128	22	0	150	34	4	28	1	67	6	148	15	0	169	1	0	0	0	1	387
Total	2	578	84	0	664	206	8	108	2	324	38	702	39	1	780	1	0	0	2	3	1771
09:00 AM	0	131	19	0	150	36	2	22	0	60	10	136	11	0	157	0	0	0	0	0	367
09:15 AM	0	129	16	0	145	41	1	25	1	68	8	121	8	0	137	1	0	0	0	1	351
09:30 AM	0	128	17	0	145	42	1	24	0	67	7	110	3	0	120	0	0	0	0	0	332
09:45 AM	0	102	21	0	123	37	0	21	2	60	10	88	4	0	102	0	1	0	0	1	286
Total	0	490	73	0	563	156	4	92	3	255	35	455	26	0	516	1	1	0	0	2	1336
**BREAK**																					
04:00 PM	0	120	25	0	145	58	4	32	1	95	12	97	2	0	111	10	0	0	6	16	367
04:15 PM	1	138	31	0	170	67	0	28	0	95	13	116	0	0	129	3	0	0	1	4	398
04:30 PM	0	129	41	0	170	62	2	33	0	97	18	118	0	1	137	9	2	0	1	12	416
04:45 PM	1	155	37	0	193	89	1	38	2	130	17	116	1	0	134	8	0	0	0	8	465
Total	2	542	134	0	678	276	7	131	3	417	60	447	3	1	511	30	2	0	8	40	1646
05:00 PM	0	157	24	0	181	73	1	34	0	108	19	125	0	0	144	5	1	0	0	6	439
05:15 PM	0	175	21	0	196	59	1	34	4	98	18	161	0	0	179	8	0	0	0	8	481
05:30 PM	0	169	32	0	201	55	0	35	1	91	18	149	0	2	169	7	0	0	1	8	469

# Sabra, Wang & Assoc, Inc

7055 Samuel Morse Dr, Suite 100  
Columbia, MD 21046

443-741-3500

File Name : Beltsville Rd at Calverton Shopping Ctr Ent

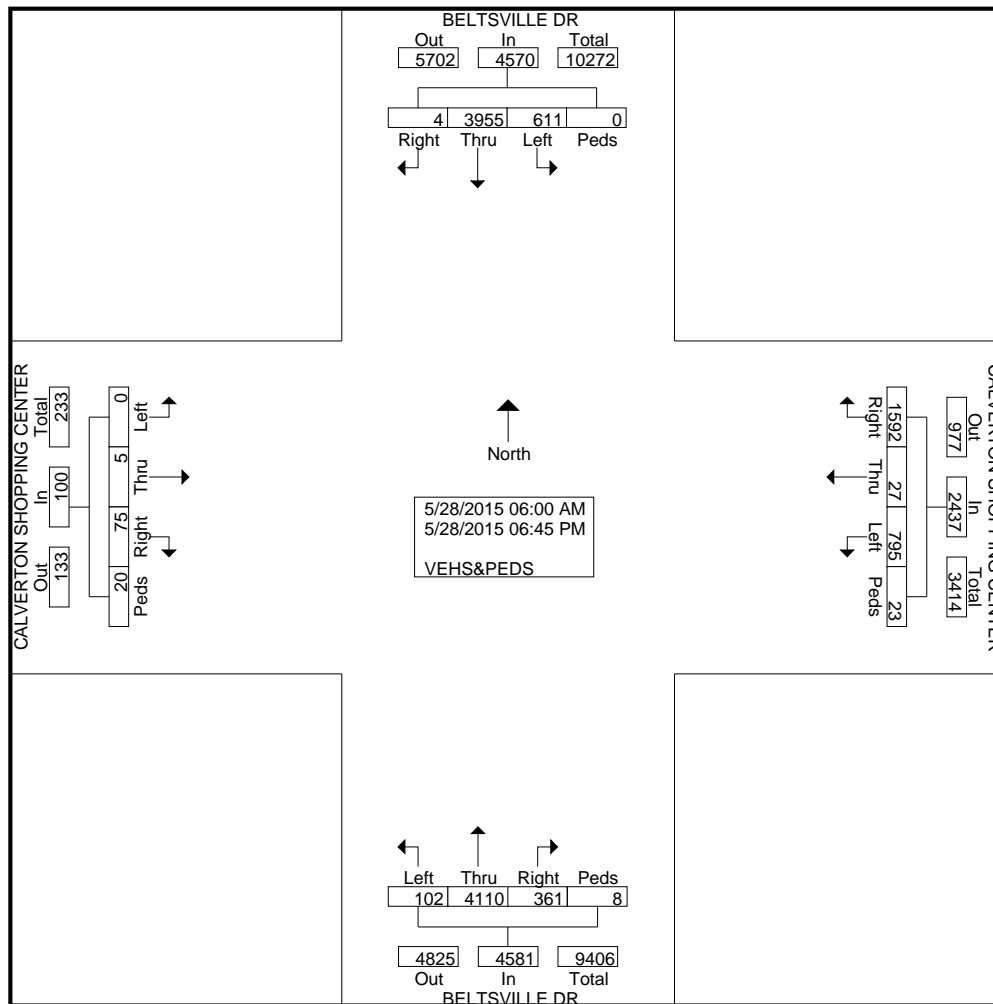
Site Code : 00000000

Start Date : 5/28/2015

Page No : 2

Groups Printed- VEHS&PEDS

Start Time	BELTSVILLE DR From North					CALVERTON SHOPPING CENTER From East					BELTSVILLE DR From South					CALVERTON SHOPPING CENTER From West					Int. Total
	Right	Thru	Left	Peds	App. Total	Right	Thru	Left	Peds	App. Total	Right	Thru	Left	Peds	App. Total	Right	Thru	Left	Peds	App. Total	
05:45 PM	0	163	31	0	194	75	0	23	1	99	13	145	0	1	159	9	0	0	0	9	461
Total	0	664	108	0	772	262	2	126	6	396	68	580	0	3	651	29	1	0	1	31	1850
06:00 PM	0	136	30	0	166	78	0	31	1	110	30	140	1	0	171	4	0	0	1	5	452
06:15 PM	0	133	25	0	158	79	0	32	2	113	23	148	0	1	172	5	0	0	1	6	449
06:30 PM	0	115	29	0	144	70	0	39	0	109	25	147	1	0	173	2	0	0	1	3	429
06:45 PM	0	123	24	0	147	56	0	35	1	92	22	117	0	0	139	2	0	0	0	2	380
Total	0	507	108	0	615	283	0	137	4	424	100	552	2	1	655	13	0	0	3	16	1710
Grand Total	4	3955	611	0	4570	1592	27	795	23	2437	361	4110	102	8	4581	75	5	0	20	100	11688
Apprch %	0.1	86.5	13.4	0		65.3	1.1	32.6	0.9		7.9	89.7	2.2	0.2		75	5	0	20		
Total %	0	33.8	5.2	0	39.1	13.6	0.2	6.8	0.2	20.9	3.1	35.2	0.9	0.1	39.2	0.6	0	0	0.2	0.9	



# Sabra, Wang & Assoc, Inc

7055 Samuel Morse Dr, Suite 100  
Columbia, MD 21046  
443-741-3500

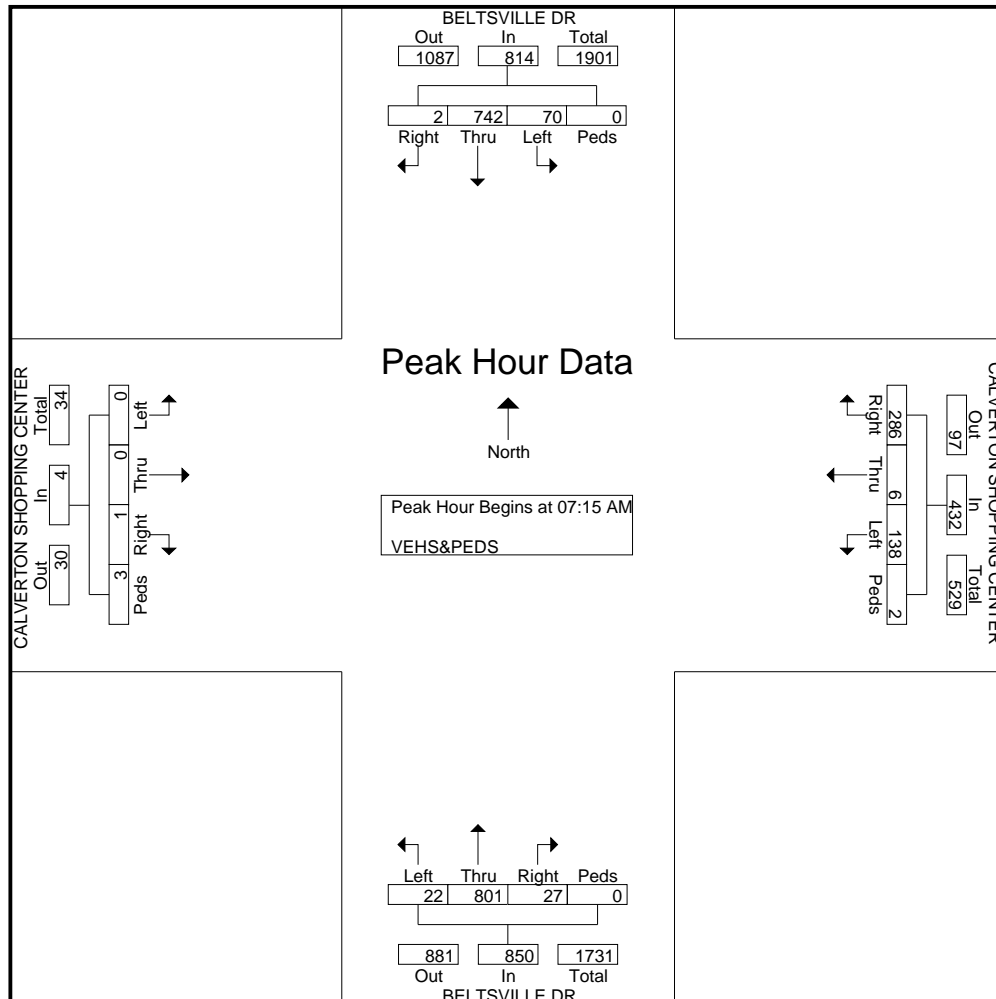
File Name : Beltsville Rd at Calverton Shopping Ctr Ent  
Site Code : 00000000  
Start Date : 5/28/2015  
Page No : 3

Start Time	BELTSVILLE DR From North					CALVERTON SHOPPING CENTER From East					BELTSVILLE DR From South					CALVERTON SHOPPING CENTER From West					Int. Total
	Right	Thru	Left	Peds	App. Total	Right	Thru	Left	Peds	App. Total	Right	Thru	Left	Peds	App. Total	Right	Thru	Left	Peds	App. Total	

Peak Hour Analysis From 06:00 AM to 11:45 AM - Peak 1 of 1

Peak Hour for Entire Intersection Begins at 07:15 AM

07:15 AM	0	165	16	0	181	60	2	36	1	99	3	194	1	0	198	0	0	0	0	0	478
07:30 AM	0	<b>244</b>	13	0	<b>257</b>	<b>81</b>	2	31	0	114	3	202	4	0	209	0	0	0	1	1	<b>581</b>
07:45 AM	0	170	20	0	190	75	2	<b>44</b>	1	<b>122</b>	<b>11</b>	<b>225</b>	<b>9</b>	0	<b>245</b>	<b>1</b>	0	0	0	1	558
08:00 AM	<b>2</b>	163	<b>21</b>	0	186	70	0	27	0	97	10	180	8	0	198	0	0	0	<b>2</b>	<b>2</b>	483
Total Volume	2	742	70	0	814	286	6	138	2	432	27	801	22	0	850	1	0	0	3	4	2100
% App. Total	0.2	91.2	8.6	0		66.2	1.4	31.9	0.5		3.2	94.2	2.6	0		25	0	0	75		
PHF	.250	.760	.833	.000	.792	.883	.750	.784	.500	.885	.614	.890	.611	.000	.867	.250	.000	.000	.375	.500	.904





# Sabra, Wang & Assoc, Inc

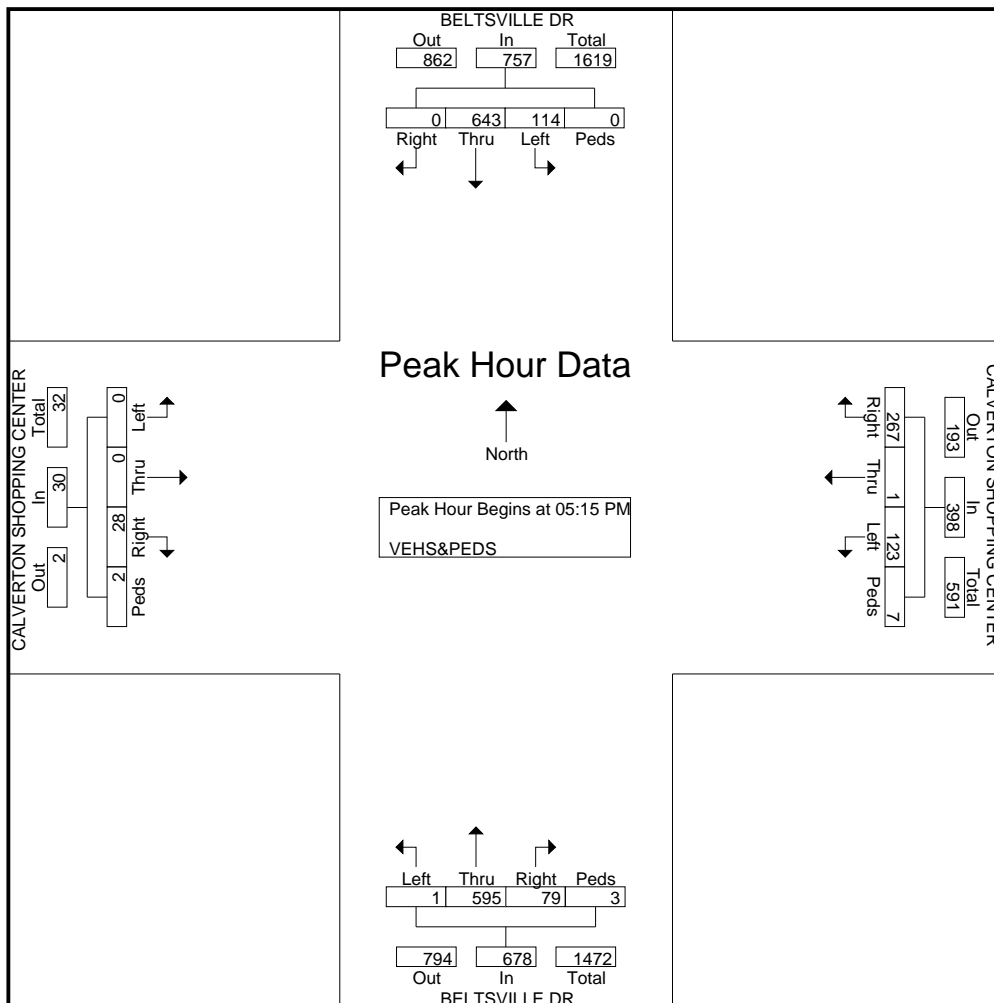
7055 Samuel Morse Dr, Suite 100  
Columbia, MD 21046  
443-741-3500

File Name : Beltsville Rd at Calverton Shopping Ctr Ent  
Site Code : 00000000  
Start Date : 5/28/2015  
Page No : 4

Start Time	BELTSVILLE DR From North					CALVERTON SHOPPING CENTER From East					BELTSVILLE DR From South					CALVERTON SHOPPING CENTER From West					Int. Total
	Right	Thru	Left	Peds	App. Total	Right	Thru	Left	Peds	App. Total	Right	Thru	Left	Peds	App. Total	Right	Thru	Left	Peds	App. Total	
05:15 PM	0	175	21	0	196	59	1	34	4	98	18	161	0	0	179	8	0	0	0	8	481
05:30 PM	0	169	32	0	201	55	0	35	1	91	18	149	0	2	169	7	0	0	1	8	469
05:45 PM	0	163	31	0	194	75	0	23	1	99	13	145	0	1	159	9	0	0	0	9	461
06:00 PM	0	136	30	0	166	78	0	31	1	110	30	140	1	0	171	4	0	0	1	5	452
Total Volume	0	643	114	0	757	267	1	123	7	398	79	595	1	3	678	28	0	0	2	30	1863
% App. Total	0	84.9	15.1	0		67.1	0.3	30.9	1.8		11.7	87.8	0.1	0.4		93.3	0	0	6.7		
PHF	.000	.919	.891	.000	.942	.856	.250	.879	.438	.905	.658	.924	.250	.375	.947	.778	.000	.000	.500	.833	.968

Peak Hour Analysis From 12:00 PM to 06:45 PM - Peak 1 of 1

Peak Hour for Entire Intersection Begins at 05:15 PM



# Sabra, Wang & Assoc, Inc

7055 Samuel Morse Dr, Suite 100  
Columbia, MD 21046  
*443-741-3500*

Weather: SUNNY  
Counted By: DEB  
Town: CALVERTON  
County: MONTGOMERY

File Name : Beltsville Rd at Calverton Shopping Ctr Ent  
Site Code : 00000000  
Start Date : 5/28/2015  
Page No : 1

Groups Printed- UTURNS

Start Time	BELTSVILLE DR From North					CALVERTON SHOPPING CENTER From East					BELTSVILLE DR From South					CALVERTON SHOPPING CENTER From West					Int. Total
	Right	Thru	Left	Peds	App. Total	Right	Thru	Left	Peds	App. Total	Right	Thru	Left	Peds	App. Total	Right	Thru	Left	Peds	App. Total	
**BREAK**																					
09:30 AM	0	0	1	0	1	0	0	0	0	0	0	0	0	0	0	0	0	0	0	0	1
**BREAK**																					
Total	0	0	1	0	1	0	0	0	0	0	0	0	0	0	0	0	0	0	0	0	1
**BREAK**																					
04:45 PM	0	0	1	0	1	0	0	0	0	0	0	0	0	0	0	0	0	0	0	0	1
Total	0	0	1	0	1	0	0	0	0	0	0	0	0	0	0	0	0	0	0	0	1
**BREAK**																					
Grand Total	0	0	2	0	2	0	0	0	0	0	0	0	0	0	0	0	0	0	0	0	2
Apprch %	0	0	100	0		0	0	0	0		0	0	0	0		0	0	0	0		
Total %	0	0	100	0	100	0	0	0	0	0	0	0	0	0	0	0	0	0	0	0	

# Sabra, Wang & Assoc, Inc

7055 Samuel Morse Dr, Suite 100  
Columbia, MD 21046

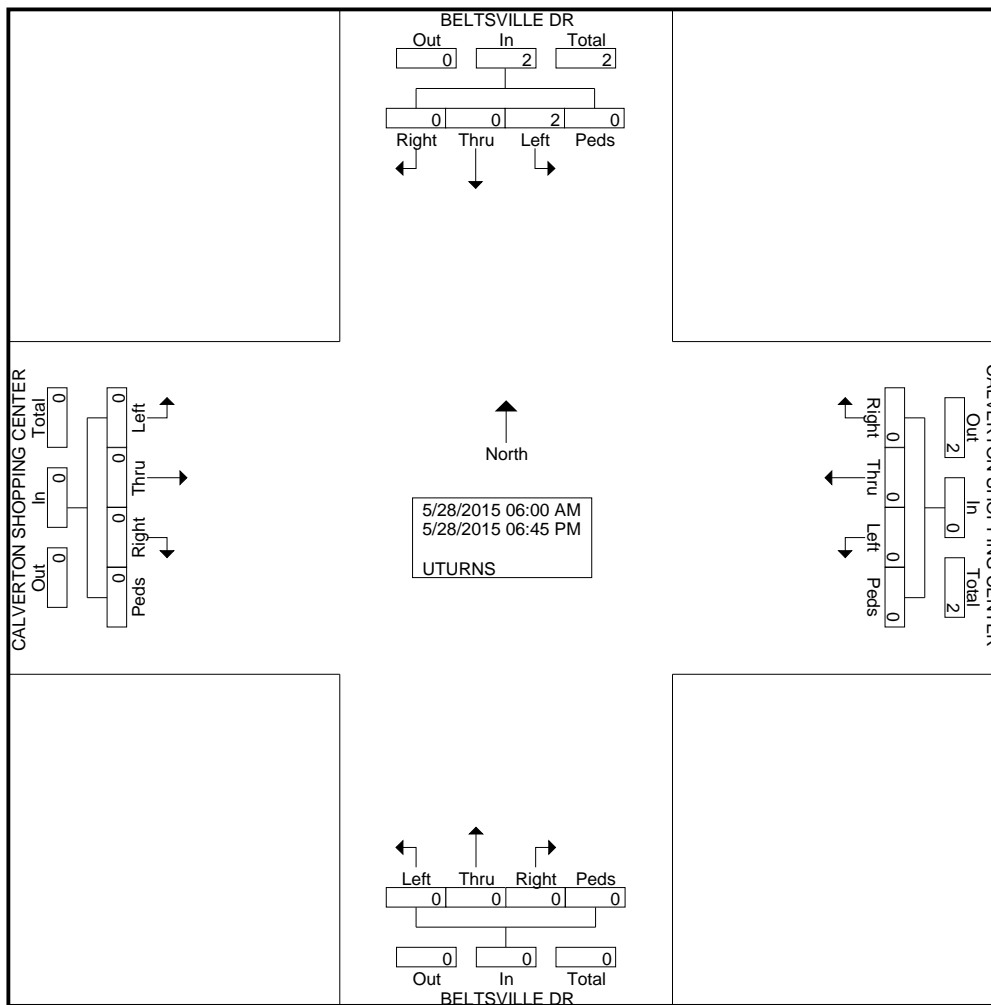
443-741-3500

File Name : Beltsville Rd at Calverton Shopping Ctr Ent

Site Code : 00000000

Start Date : 5/28/2015

Page No : 2



# Sabra, Wang & Assoc, Inc

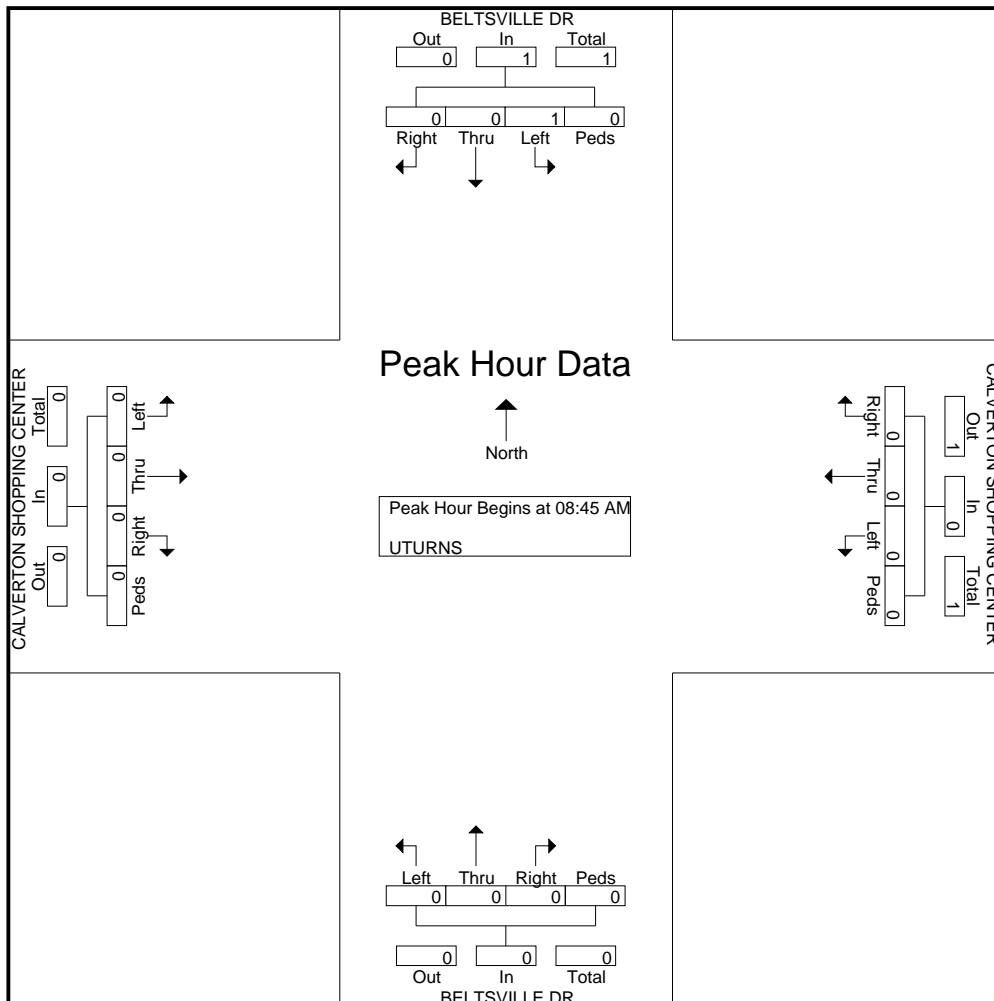
7055 Samuel Morse Dr, Suite 100  
Columbia, MD 21046  
443-741-3500

File Name : Beltsville Rd at Calverton Shopping Ctr Ent  
Site Code : 00000000  
Start Date : 5/28/2015  
Page No : 3

Start Time	BELTSVILLE DR From North					CALVERTON SHOPPING CENTER From East					BELTSVILLE DR From South					CALVERTON SHOPPING CENTER From West					Int. Total
	Right	Thru	Left	Peds	App. Total	Right	Thru	Left	Peds	App. Total	Right	Thru	Left	Peds	App. Total	Right	Thru	Left	Peds	App. Total	
08:45 AM	0	0	0	0	0	0	0	0	0	0	0	0	0	0	0	0	0	0	0	0	0
09:00 AM	0	0	0	0	0	0	0	0	0	0	0	0	0	0	0	0	0	0	0	0	0
09:15 AM	0	0	0	0	0	0	0	0	0	0	0	0	0	0	0	0	0	0	0	0	0
09:30 AM	0	0	1	0	1	0	0	0	0	0	0	0	0	0	0	0	0	0	0	0	1
Total Volume	0	0	1	0	1	0	0	0	0	0	0	0	0	0	0	0	0	0	0	0	1
% App. Total	0	0	100	0		0	0	0	0		0	0	0	0		0	0	0	0		
PHF	.000	.000	.250	.000	.250	.000	.000	.000	.000	.000	.000	.000	.000	.000	.000	.000	.000	.000	.000	.000	.250

Peak Hour Analysis From 06:00 AM to 11:45 AM - Peak 1 of 1

Peak Hour for Entire Intersection Begins at 08:45 AM



# Sabra, Wang & Assoc, Inc

7055 Samuel Morse Dr, Suite 100  
Columbia, MD 21046  
443-741-3500

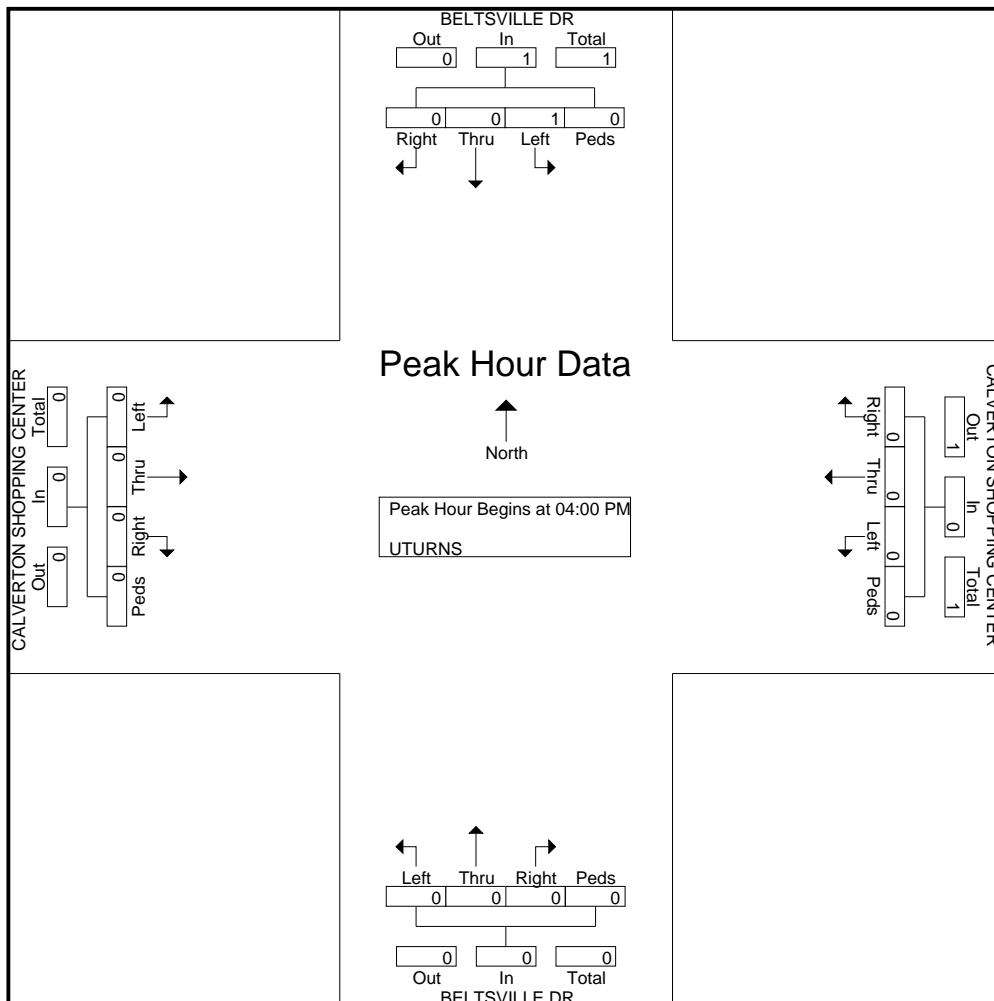
File Name : Beltsville Rd at Calverton Shopping Ctr Ent  
Site Code : 00000000  
Start Date : 5/28/2015  
Page No : 4

Start Time	BELTSVILLE DR From North					CALVERTON SHOPPING CENTER From East					BELTSVILLE DR From South					CALVERTON SHOPPING CENTER From West					Int. Total
	Right	Thru	Left	Peds	App. Total	Right	Thru	Left	Peds	App. Total	Right	Thru	Left	Peds	App. Total	Right	Thru	Left	Peds	App. Total	

Peak Hour Analysis From 12:00 PM to 06:45 PM - Peak 1 of 1

Peak Hour for Entire Intersection Begins at 04:00 PM

04:00 PM	0	0	0	0	0	0	0	0	0	0	0	0	0	0	0	0	0	0	0	0	0	0
04:15 PM	0	0	0	0	0	0	0	0	0	0	0	0	0	0	0	0	0	0	0	0	0	0
04:30 PM	0	0	0	0	0	0	0	0	0	0	0	0	0	0	0	0	0	0	0	0	0	0
04:45 PM	0	0	1	0	1	0	0	0	0	0	0	0	0	0	0	0	0	0	0	0	0	1
Total Volume	0	0	1	0	1	0	0	0	0	0	0	0	0	0	0	0	0	0	0	0	0	1
% App. Total	0	0	100	0		0	0	0	0		0	0	0	0		0	0	0	0			
PHF	.000	.000	.250	.000	.250	.000	.000	.000	.000	.000	.000	.000	.000	.000	.000	.000	.000	.000	.000	.000	.000	.250



# Sabra, Wang & Assoc, Inc

7055 Samuel Morse Dr, Suite 100  
Columbia, MD 21046  
*443-741-3500*

Weather: SUNNY  
Counted By: DEB  
Town: CALVERTON  
County: MONTGOMERY

File Name : Beltsville Rd at Calverton Shopping Ctr Ent  
Site Code : 00000000  
Start Date : 5/28/2015  
Page No : 1

Groups Printed- BICYCLES

Start Time	BELTSVILLE DR From North					CALVERTON SHOPPING CENTER From East					BELTSVILLE DR From South					CALVERTON SHOPPING CENTER From West					Int. Total
	Right	Thru	Left	Peds	App. Total	Right	Thru	Left	Peds	App. Total	Right	Thru	Left	Peds	App. Total	Right	Thru	Left	Peds	App. Total	
**BREAK**																					
07:00 AM	0	0	0	0	0	0	0	0	0	0	0	0	0	0	0	0	0	0	9	9	9
07:15 AM	0	0	0	0	0	0	0	0	0	0	0	0	0	0	0	0	1	0	8	9	9
07:30 AM	0	0	0	0	0	0	0	0	0	0	0	0	0	0	0	0	0	0	2	2	2
07:45 AM	0	0	0	0	0	0	0	0	0	0	0	0	0	0	0	0	0	0	1	1	1
Total	0	0	0	0	0	0	0	0	0	0	0	0	0	0	0	0	1	0	20	21	21
**BREAK**																					
04:00 PM	0	0	0	0	0	0	0	0	0	0	0	0	0	1	1	0	0	0	0	0	1
**BREAK**																					
Total	0	0	0	0	0	0	0	0	0	0	0	0	0	1	1	0	0	0	0	0	1
05:00 PM	0	0	0	0	0	0	0	0	0	0	0	2	0	0	2	0	0	0	0	0	2
**BREAK**																					
Total	0	0	0	0	0	0	0	0	0	0	0	2	0	0	2	0	0	0	0	0	2
**BREAK**																					
Grand Total	0	0	0	0	0	0	0	0	0	0	0	2	0	1	3	0	1	0	20	21	24
Apprch %	0	0	0	0		0	0	0	0		0	66.7	0	33.3		0	4.8	0	95.2		
Total %	0	0	0	0		0	0	0	0		0	8.3	0	4.2	12.5	0	4.2	0	83.3	87.5	

# Sabra, Wang & Assoc, Inc

7055 Samuel Morse Dr, Suite 100  
Columbia, MD 21046

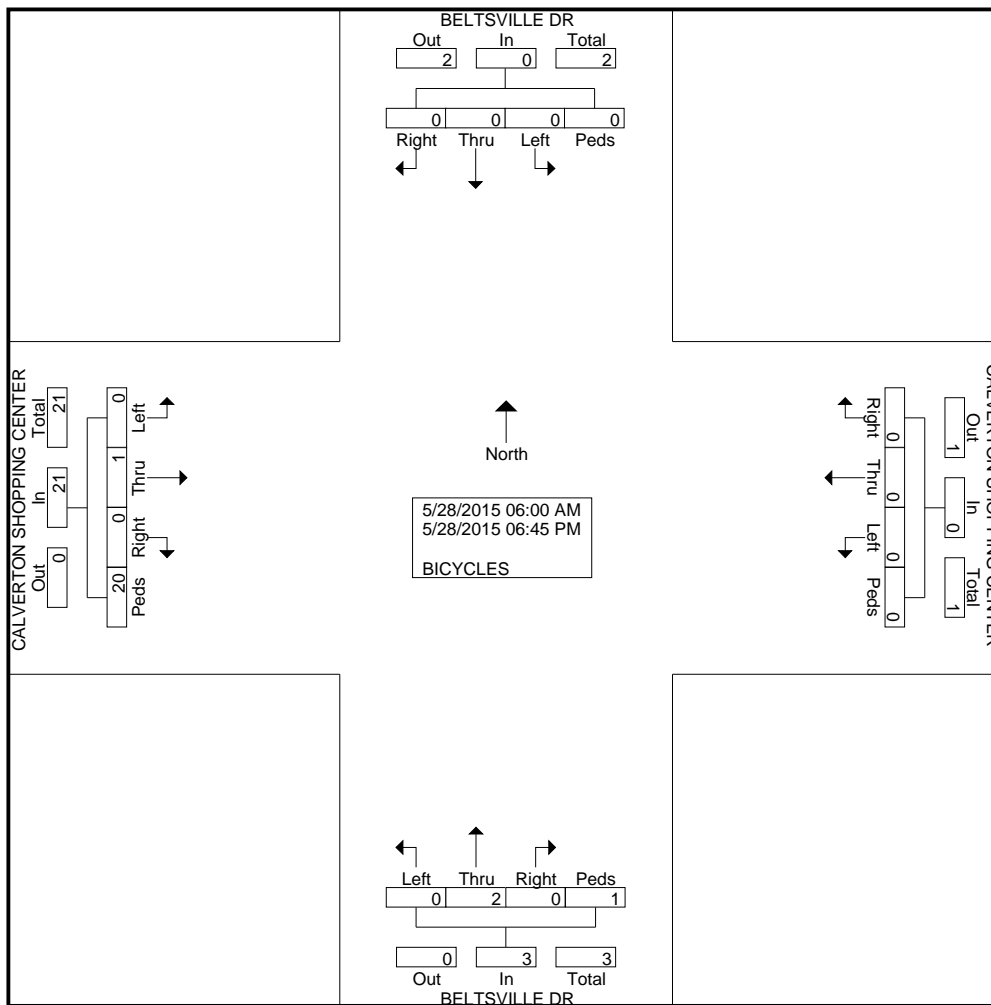
443-741-3500

File Name : Beltsville Rd at Calverton Shopping Ctr Ent

Site Code : 00000000

Start Date : 5/28/2015

Page No : 2



# Sabra, Wang & Assoc, Inc

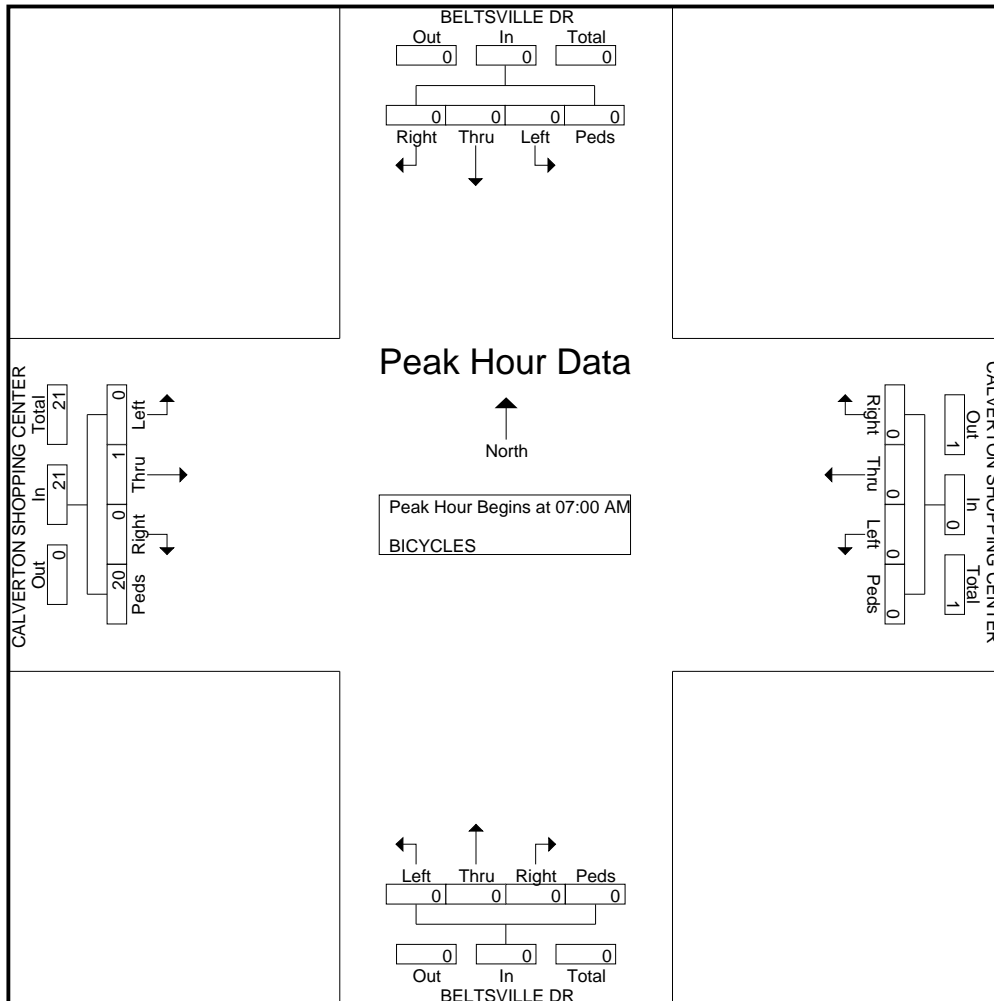
7055 Samuel Morse Dr, Suite 100  
Columbia, MD 21046  
443-741-3500

File Name : Beltsville Rd at Calverton Shopping Ctr Ent  
Site Code : 00000000  
Start Date : 5/28/2015  
Page No : 3

Start Time	BELTSVILLE DR From North					CALVERTON SHOPPING CENTER From East					BELTSVILLE DR From South					CALVERTON SHOPPING CENTER From West					Int. Total
	Right	Thru	Left	Peds	App. Total	Right	Thru	Left	Peds	App. Total	Right	Thru	Left	Peds	App. Total	Right	Thru	Left	Peds	App. Total	
07:00 AM	0	0	0	0	0	0	0	0	0	0	0	0	0	0	0	0	0	0	9	9	9
07:15 AM	0	0	0	0	0	0	0	0	0	0	0	0	0	0	0	0	1	0	8	9	9
07:30 AM	0	0	0	0	0	0	0	0	0	0	0	0	0	0	0	0	0	0	2	2	2
07:45 AM	0	0	0	0	0	0	0	0	0	0	0	0	0	0	0	0	0	0	1	1	1
Total Volume	0	0	0	0	0	0	0	0	0	0	0	0	0	0	0	0	1	0	20	21	21
% App. Total	0	0	0	0	0	0	0	0	0	0	0	0	0	0	0	0	4.8	0	95.2		
PHF	.000	.000	.000	.000	.000	.000	.000	.000	.000	.000	.000	.000	.000	.000	.000	.000	.250	.000	.556	.583	.583

Peak Hour Analysis From 06:00 AM to 11:45 AM - Peak 1 of 1

Peak Hour for Entire Intersection Begins at 07:00 AM





# Sabra, Wang & Assoc, Inc

7055 Samuel Morse Dr, Suite 100  
Columbia, MD 21046

443-741-3500

File Name : Beltsville Rd at Calverton Shopping Ctr Ent

Site Code : 00000000

Start Date : 5/28/2015

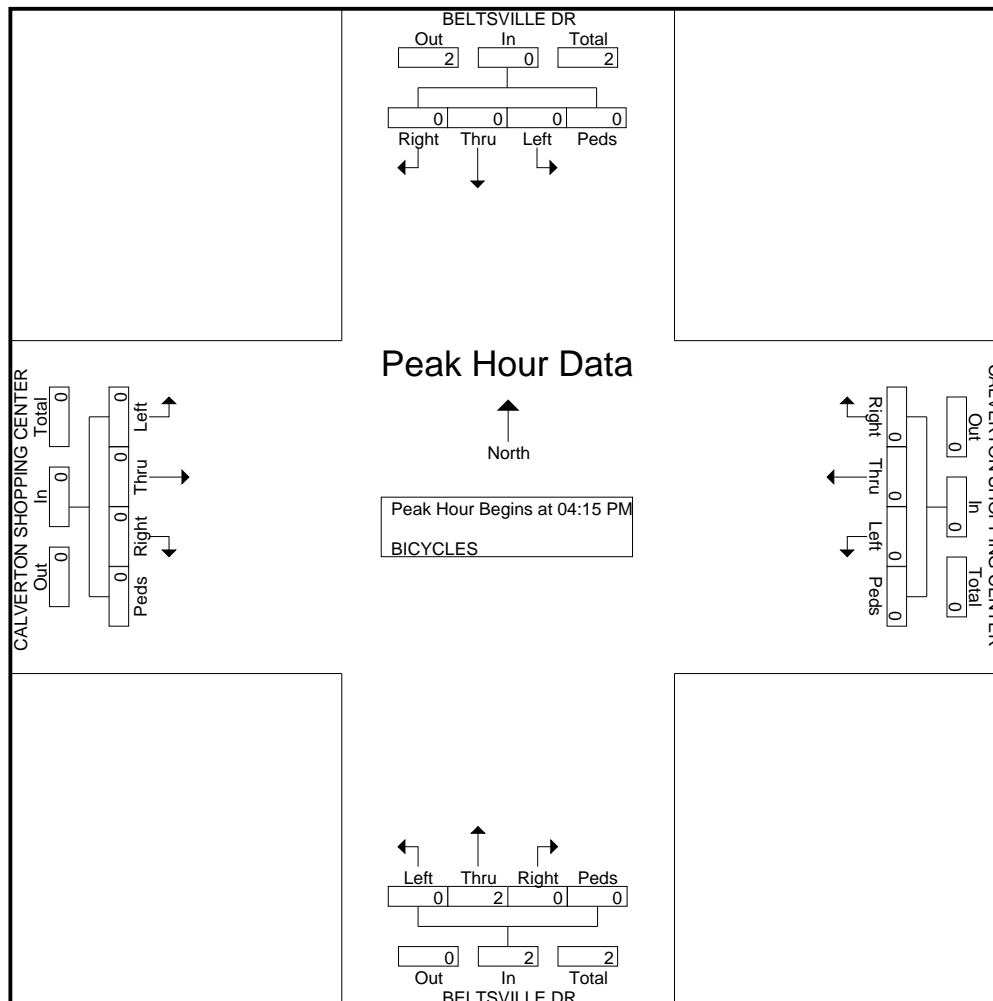
Page No : 4

Start Time	BELTSVILLE DR From North					CALVERTON SHOPPING CENTER From East					BELTSVILLE DR From South					CALVERTON SHOPPING CENTER From West					Int. Total
	Right	Thru	Left	Peds	App. Total	Right	Thru	Left	Peds	App. Total	Right	Thru	Left	Peds	App. Total	Right	Thru	Left	Peds	App. Total	

Peak Hour Analysis From 12:00 PM to 06:45 PM - Peak 1 of 1

Peak Hour for Entire Intersection Begins at 04:15 PM

04:15 PM	0	0	0	0	0	0	0	0	0	0	0	0	0	0	0	0	0	0	0	0	0	0
04:30 PM	0	0	0	0	0	0	0	0	0	0	0	0	0	0	0	0	0	0	0	0	0	0
04:45 PM	0	0	0	0	0	0	0	0	0	0	0	0	0	0	0	0	0	0	0	0	0	0
05:00 PM	0	0	0	0	0	0	0	0	0	0	0	2	0	0	2	0	0	0	0	0	0	2
Total Volume	0	0	0	0	0	0	0	0	0	0	0	2	0	0	2	0	0	0	0	0	0	2
% App. Total	0	0	0	0	0	0	0	0	0	0	0	100	0	0	0	0	0	0	0	0	0	0
PHF	.000	.000	.000	.000	.000	.000	.000	.000	.000	.000	.000	.250	.000	.000	.250	.000	.000	.000	.000	.000	.000	.250



# Sabra, Wang & Assoc, Inc

7055 Samuel Morse Dr, Suite 100

Columbia, MD 21046

443-741-3500

Weather: SUNNY  
 Counted By: CHANEL  
 Town: SILVER SPRING  
 County: MONTGOMERY

File Name : Calverton Blvd at Galway Dr  
 Site Code : 00000000  
 Start Date : 5/19/2015  
 Page No : 1

Groups Printed- VEHS&PEDS

Start Time	GALWAY DR From North					CALVERTON BLVD From East					NO ENTRANCE From South					CALVERTON BLVD From West					Int. Total
	Right	Thru	Left	Peds	App. Total	Right	Thru	Left	Peds	App. Total	Right	Thru	Left	Peds	App. Total	Right	Thru	Left	Peds	App. Total	
06:00 AM	10	0	9	1	20	9	74	0	0	83	0	0	0	0	0	0	42	1	0	43	146
06:15 AM	12	0	13	1	26	9	96	0	0	105	0	0	0	0	0	0	45	3	0	48	179
06:30 AM	16	0	16	0	32	8	160	0	0	168	0	0	0	0	0	0	63	4	1	68	268
06:45 AM	21	0	21	6	48	10	218	0	0	228	0	0	0	0	0	0	64	10	1	75	351
Total	59	0	59	8	126	36	548	0	0	584	0	0	0	0	0	0	214	18	2	234	944
07:00 AM	19	0	20	2	41	18	226	0	0	244	0	0	0	0	0	0	68	8	0	76	361
07:15 AM	37	0	27	1	65	13	239	0	0	252	0	0	0	0	0	0	74	4	0	78	395
07:30 AM	34	0	24	0	58	5	227	0	0	232	0	0	0	0	0	0	115	6	0	121	411
07:45 AM	27	0	22	0	49	2	241	0	0	243	0	0	0	0	0	0	101	0	0	101	393
Total	117	0	93	3	213	38	933	0	0	971	0	0	0	0	0	0	358	18	0	376	1560
08:00 AM	32	0	24	0	56	5	273	0	1	279	0	0	0	0	0	0	85	6	0	91	426
08:15 AM	28	0	29	1	58	2	253	0	0	255	0	0	0	0	0	0	108	1	0	109	422
08:30 AM	32	0	31	0	63	7	241	0	0	248	0	0	0	0	0	0	65	4	0	69	380
08:45 AM	42	0	29	2	73	15	217	0	0	232	0	0	0	0	0	0	98	28	0	126	431
Total	134	0	113	3	250	29	984	0	1	1014	0	0	0	0	0	0	356	39	0	395	1659
09:00 AM	53	0	27	0	80	16	168	0	0	184	0	0	0	0	0	0	86	30	2	118	382
09:15 AM	28	0	22	1	51	15	132	0	0	147	0	0	0	0	0	0	107	7	0	114	312
09:30 AM	21	0	24	0	45	11	131	0	0	142	0	0	0	0	0	0	86	12	0	98	285
09:45 AM	19	0	22	1	42	13	95	0	0	108	0	0	0	0	0	0	90	10	0	100	250
Total	121	0	95	2	218	55	526	0	0	581	0	0	0	0	0	0	369	59	2	430	1229
*** BREAK ***																					
04:00 PM	10	0	15	0	25	23	133	0	0	156	0	0	0	0	0	0	134	16	0	150	331
04:15 PM	16	0	14	1	31	25	112	0	1	138	0	0	0	0	0	0	154	26	0	180	349
04:30 PM	18	0	22	2	42	26	141	0	1	168	0	0	0	0	0	0	172	41	0	213	423
04:45 PM	20	0	17	1	38	11	103	0	0	114	0	0	0	0	0	0	171	27	1	199	351
Total	64	0	68	4	136	85	489	0	2	576	0	0	0	0	0	0	631	110	1	742	1454
05:00 PM	19	0	12	0	31	33	118	0	0	151	0	0	0	0	0	0	168	24	0	192	374
05:15 PM	22	0	21	1	44	35	137	0	0	172	0	0	0	0	0	0	172	25	0	197	413
05:30 PM	21	0	18	4	43	35	136	0	0	171	0	0	0	0	0	0	201	33	0	234	448
05:45 PM	20	0	17	8	45	26	147	0	0	173	0	0	0	0	0	0	136	39	0	175	393
Total	82	0	68	13	163	129	538	0	0	667	0	0	0	0	0	0	677	121	0	798	1628
06:00 PM	20	0	15	3	38	25	130	0	0	155	0	0	0	0	0	0	159	40	0	199	392
06:15 PM	24	0	15	1	40	36	127	0	0	163	0	0	0	0	0	0	137	33	1	171	374
06:30 PM	19	0	17	0	36	23	129	0	0	152	0	0	0	0	0	0	131	24	1	156	344
06:45 PM	15	0	14	1	30	36	125	0	0	161	0	0	0	0	0	0	110	33	0	143	334
Total	78	0	61	5	144	120	511	0	0	631	0	0	0	0	0	0	537	130	2	669	1444
Grand Total	655	0	557	38	1250	492	4529	0	3	5024	0	0	0	0	0	0	3142	495	7	3644	9918
Apprch %	52.4	0	44.6	3		9.8	90.1	0	0.1		0	0	0	0	0	0	86.2	13.6	0.2		
Total %	6.6	0	5.6	0.4	12.6	5	45.7	0	0	50.7	0	0	0	0	0	0	31.7	5	0.1	36.7	

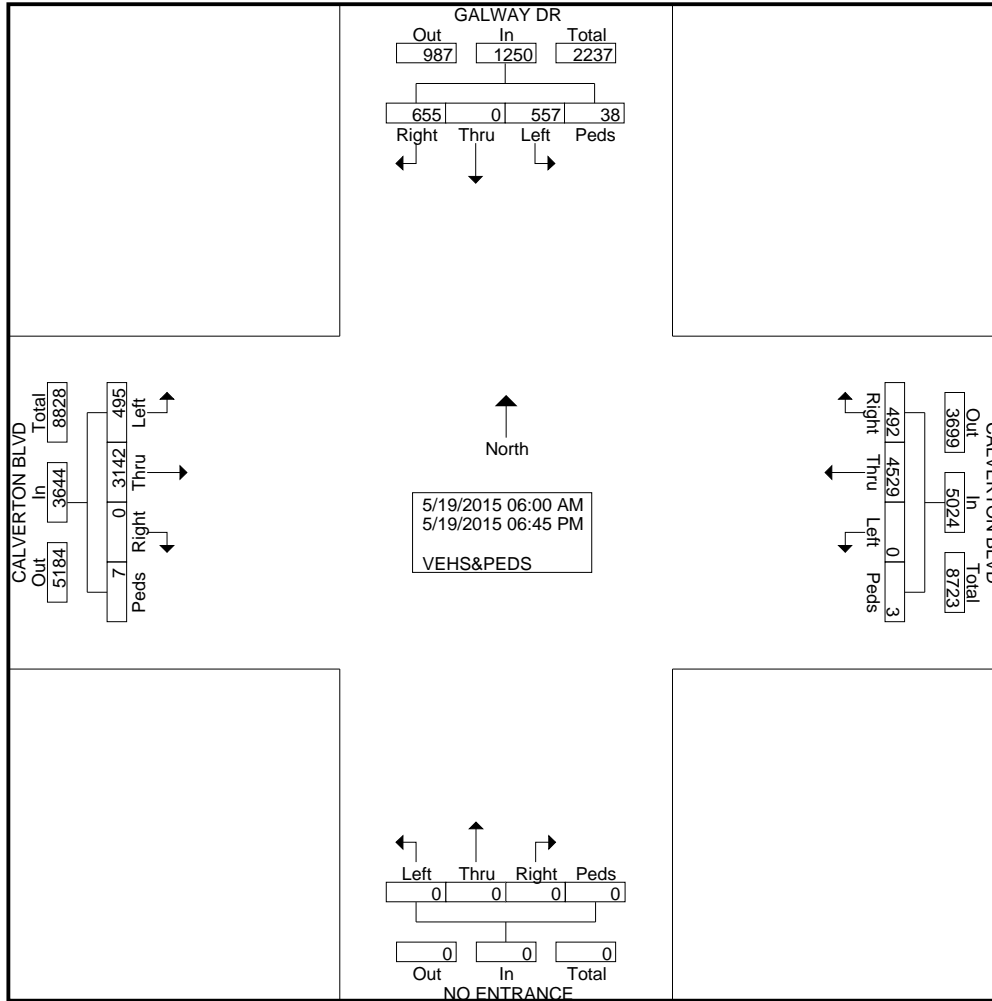
# Sabra, Wang & Assoc, Inc

7055 Samuel Morse Dr, Suite 100  
Columbia, MD 21046

443-741-3500

Weather: SUNNY  
Counted By: CHANEL  
Town: SILVER SPRING  
County: MONTGOMERY

File Name : Calverton Blvd at Galway Dr  
Site Code : 00000000  
Start Date : 5/19/2015  
Page No : 2



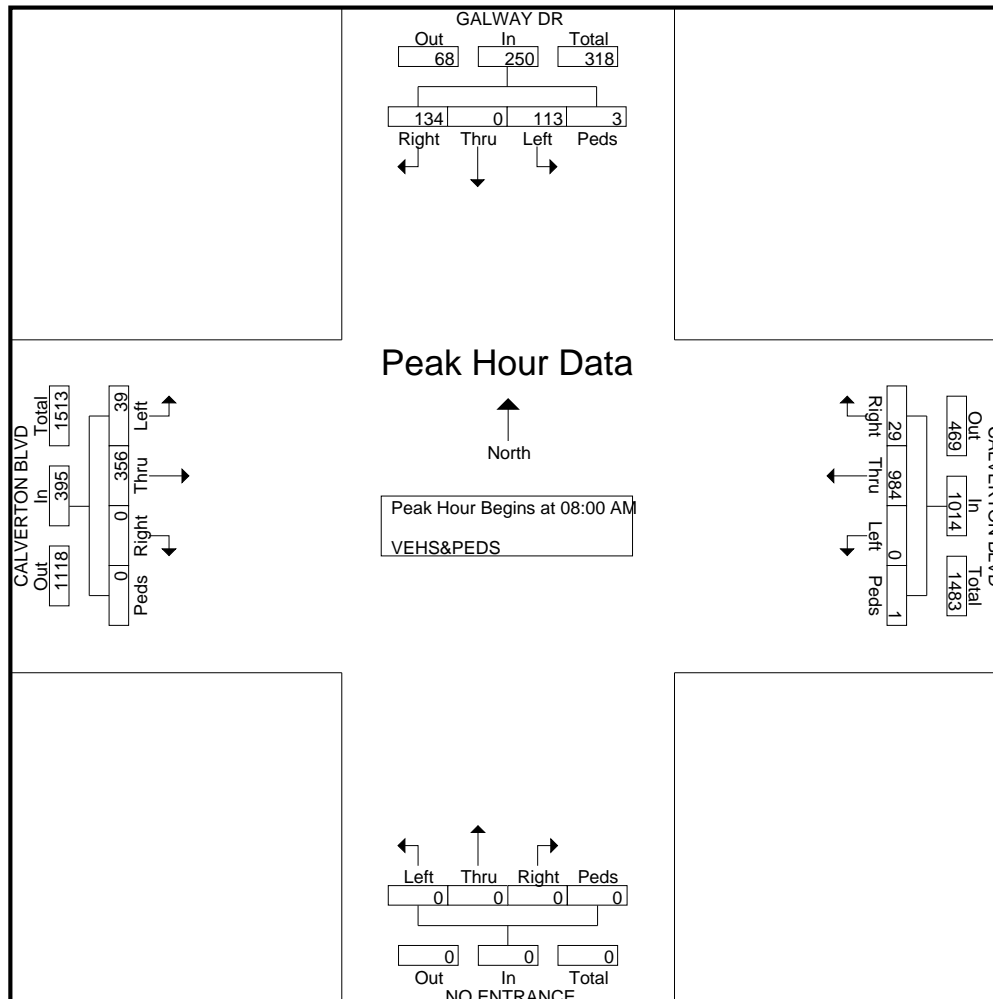
# Sabra, Wang & Assoc, Inc

7055 Samuel Morse Dr, Suite 100  
 Columbia, MD 21046  
 443-741-3500

Weather: SUNNY  
 Counted By: CHANEL  
 Town: SILVER SPRING  
 County: MONTGOMERY

File Name : Calverton Blvd at Galway Dr  
 Site Code : 00000000  
 Start Date : 5/19/2015  
 Page No : 3

Start Time	GALWAY DR From North					CALVERTON BLVD From East					NO ENTRANCE From South					CALVERTON BLVD From West					Int. Total
	Right	Thru	Left	Peds	App. Total	Right	Thru	Left	Peds	App. Total	Right	Thru	Left	Peds	App. Total	Right	Thru	Left	Peds	App. Total	
Peak Hour Analysis From 06:00 AM to 11:45 AM - Peak 1 of 1																					
Peak Hour for Entire Intersection Begins at 08:00 AM																					
08:00 AM	32	0	24	0	56	5	273	0	1	279	0	0	0	0	0	0	85	6	0	91	426
08:15 AM	28	0	29	1	58	2	253	0	0	255	0	0	0	0	0	0	108	1	0	109	422
08:30 AM	32	0	31	0	63	7	241	0	0	248	0	0	0	0	0	0	65	4	0	69	380
08:45 AM	42	0	29	2	73	15	217	0	0	232	0	0	0	0	0	0	98	28	0	126	431
Total Volume	134	0	113	3	250	29	984	0	1	1014	0	0	0	0	0	0	356	39	0	395	1659
% App. Total	53.6	0	45.2	1.2		2.9	97	0	0.1		0	0	0	0		0	90.1	9.9	0		
PHF	.798	.000	.911	.375	.856	.483	.901	.000	.250	.909	.000	.000	.000	.000	.000	.000	.824	.348	.000	.784	.962



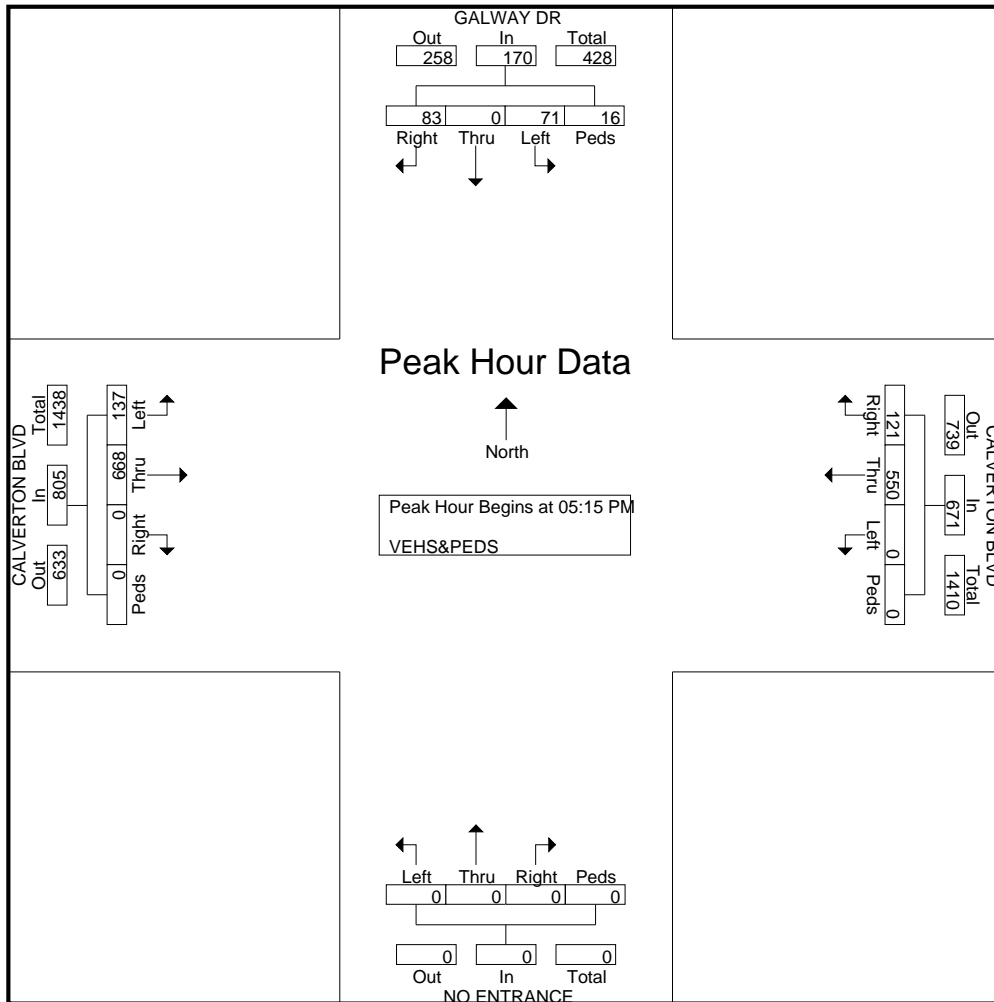
# Sabra, Wang & Assoc, Inc

7055 Samuel Morse Dr, Suite 100  
Columbia, MD 21046  
443-741-3500

Weather: SUNNY  
Counted By: CHANEL  
Town: SILVER SPRING  
County: MONTGOMERY

File Name : Calverton Blvd at Galway Dr  
Site Code : 00000000  
Start Date : 5/19/2015  
Page No : 4

Start Time	GALWAY DR From North					CALVERTON BLVD From East					NO ENTRANCE From South					CALVERTON BLVD From West					Int. Total
	Rig ht	Thr u	Left	Ped s	App. Total	Rig ht	Thr u	Left	Ped s	App. Total	Right	Thr u	Left	Peds	App. Total	Right	Thr u	Left	Peds	App. Total	
Peak Hour Analysis From 12:00 PM to 06:45 PM - Peak 1 of 1																					
Peak Hour for Entire Intersection Begins at 05:15 PM																					
05:15 PM	22	0	21	1	44	35	137	0	0	172	0	0	0	0	0	0	172	25	0	197	413
05:30 PM	21	0	18	4	43	35	136	0	0	171	0	0	0	0	0	0	201	33	0	234	448
05:45 PM	20	0	17	8	45	26	147	0	0	173	0	0	0	0	0	0	136	39	0	175	393
06:00 PM	20	0	15	3	38	25	130	0	0	155	0	0	0	0	0	0	159	40	0	199	392
Total Volume	83	0	71	16	170	121	550	0	0	671	0	0	0	0	0	0	668	137	0	805	1646
% App. Total	48.8	0	41.8	9.4		18	82	0	0		0	0	0	0	0	0	83	17	0		
PHF	.943	.000	.845	.500	.944	.864	.935	.000	.000	.970	.000	.000	.000	.000	.000	.000	.831	.856	.000	.860	.919



# Sabra, Wang & Assoc, Inc

7055 Samuel Morse Dr, Suite 100  
Columbia, MD 21046  
443-741-3500

Weather: SUNNY  
Counted By: GARY & DARRELL  
Town: SILVER SPRING  
County: MONTGOMERY

File Name : Cherry Hill Rd at Broadbirch Ave  
Site Code : 00000000  
Start Date : 5/27/2015  
Page No : 1

Groups Printed- VEHS&PEDS

Start Time	CHERRYHILL RD From North					BROADBIRCH DR From East					CHERRYHILL RD From South					BROADBIRCH DR From West					Int. Total
	Right	Thru	Left	Peds	App. Total	Right	Thru	Left	Peds	App. Total	Right	Thru	Left	Peds	App. Total	Right	Thru	Left	Peds	App. Total	
06:00 AM	7	63	2	1	73	43	40	12	0	95	3	77	7	1	88	2	9	16	0	27	283
06:15 AM	8	90	7	0	105	137	54	13	0	204	0	155	16	0	171	3	15	20	0	38	518
06:30 AM	8	121	11	1	141	132	61	17	0	210	5	179	9	0	193	4	7	22	0	33	577
06:45 AM	6	155	0	0	161	129	60	31	0	220	1	211	12	0	224	3	15	11	0	29	634
Total	29	429	20	2	480	441	215	73	0	729	9	622	44	1	676	12	46	69	0	127	2012
07:00 AM	24	112	15	0	151	154	70	43	0	267	3	191	19	1	214	5	30	9	1	45	677
07:15 AM	26	134	14	1	175	136	74	50	0	260	8	182	12	3	205	4	19	3	2	28	668
07:30 AM	25	176	5	0	206	161	99	70	0	330	6	221	20	1	248	2	23	4	0	29	813
07:45 AM	54	104	5	0	163	159	95	44	1	299	6	197	28	2	233	0	14	8	0	22	717
Total	129	526	39	1	695	610	338	207	1	1156	23	791	79	7	900	11	86	24	3	124	2875
08:00 AM	74	165	5	0	244	139	102	48	1	290	3	228	28	0	259	0	10	2	0	12	805
08:15 AM	78	185	33	0	296	164	94	40	2	300	10	205	28	3	246	2	102	23	0	127	969
08:30 AM	93	204	26	0	323	134	93	35	1	263	10	201	35	1	247	5	17	9	0	31	864
08:45 AM	54	127	34	0	215	96	95	24	1	216	12	123	15	1	151	1	37	26	0	64	646
Total	299	681	98	0	1078	533	384	147	5	1069	35	757	106	5	903	8	166	60	0	234	3284
09:00 AM	43	73	11	0	127	80	82	39	1	202	5	110	25	0	140	9	46	19	0	74	543
09:15 AM	253	88	14	0	355	48	88	20	0	156	6	142	15	4	167	7	47	79	0	133	811
09:30 AM	161	107	16	0	284	53	68	19	1	141	10	156	17	2	185	11	39	51	0	101	711
09:45 AM	70	82	8	0	160	68	59	16	2	145	9	166	21	1	197	10	30	60	0	100	602
Total	527	350	49	0	926	249	297	94	4	644	30	574	78	7	689	37	162	209	0	408	2667
**BREAK**																					
04:00 PM	53	137	37	0	227	76	48	11	1	136	14	223	18	1	256	8	98	15	0	121	740
04:15 PM	55	150	29	0	234	67	50	17	0	134	17	239	17	1	274	9	59	42	0	110	752
04:30 PM	91	186	17	1	295	55	46	14	0	115	17	240	13	1	271	4	213	60	0	277	958
04:45 PM	107	214	48	1	370	51	40	14	1	106	10	249	10	3	272	6	96	85	0	187	935
Total	306	687	131	2	1126	249	184	56	2	491	58	951	58	6	1073	27	466	202	0	695	3385
05:00 PM	22	234	73	0	329	61	58	14	0	133	17	238	13	2	270	6	152	37	0	195	927
05:15 PM	85	278	64	0	427	67	50	15	0	132	15	263	19	5	302	12	135	73	0	220	1081
05:30 PM	87	233	41	0	361	78	58	20	0	156	15	253	22	4	294	6	243	47	0	296	1107

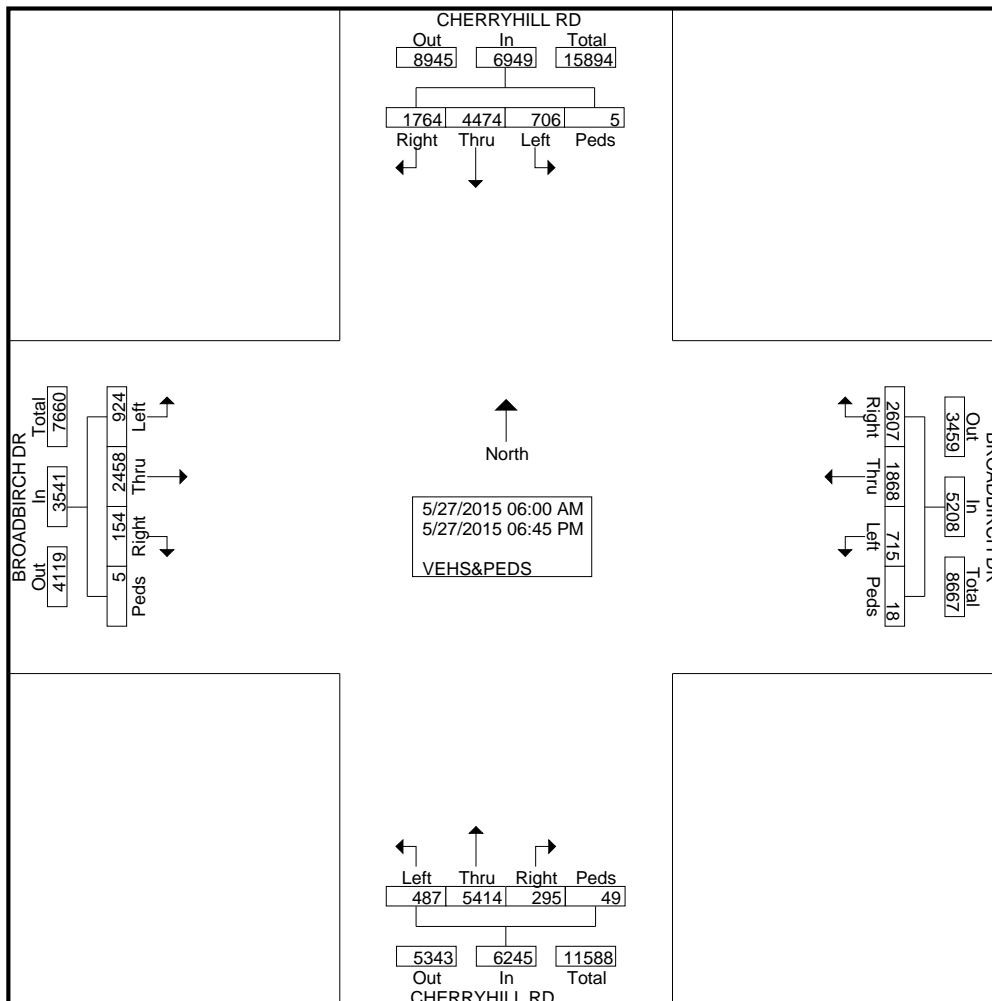
# Sabra, Wang & Assoc, Inc

7055 Samuel Morse Dr, Suite 100  
Columbia, MD 21046  
443-741-3500

File Name : Cherry Hill Rd at Broadbirch Ave  
Site Code : 00000000  
Start Date : 5/27/2015  
Page No : 2

Groups Printed- VEHS&PEDS

Start Time	CHERRYHILL RD From North					BROADBIRCH DR From East					CHERRYHILL RD From South					BROADBIRCH DR From West					Int. Total
	Right	Thru	Left	Peds	App. Total	Right	Thru	Left	Peds	App. Total	Right	Thru	Left	Peds	App. Total	Right	Thru	Left	Peds	App. Total	
05:45 PM	59	251	49	0	359	62	65	12	0	139	16	223	19	2	260	3	214	73	0	290	1048
Total	253	996	227	0	1476	268	231	61	0	560	63	977	73	13	1126	27	744	230	0	1001	4163
06:00 PM	44	224	33	0	301	77	52	17	1	147	20	197	14	3	234	2	300	24	0	326	1008
06:15 PM	125	236	68	0	429	59	57	16	0	132	27	184	10	3	224	2	180	47	2	231	1016
06:30 PM	39	179	12	0	230	65	45	18	5	133	14	187	15	2	218	10	154	22	0	186	767
06:45 PM	13	166	29	0	208	56	65	26	0	147	16	174	10	2	202	18	154	37	0	209	766
Total	221	805	142	0	1168	257	219	77	6	559	77	742	49	10	878	32	788	130	2	952	3557
Grand Total	1764	4474	706	5	6949	2607	1868	715	18	5208	295	5414	487	49	6245	154	2458	924	5	3541	21943
Apprch %	25.4	64.4	10.2	0.1		50.1	35.9	13.7	0.3		4.7	86.7	7.8	0.8		4.3	69.4	26.1	0.1		
Total %	8	20.4	3.2	0	31.7	11.9	8.5	3.3	0.1	23.7	1.3	24.7	2.2	0.2	28.5	0.7	11.2	4.2	0	16.1	



# Sabra, Wang & Assoc, Inc

7055 Samuel Morse Dr, Suite 100  
Columbia, MD 21046  
443-741-3500

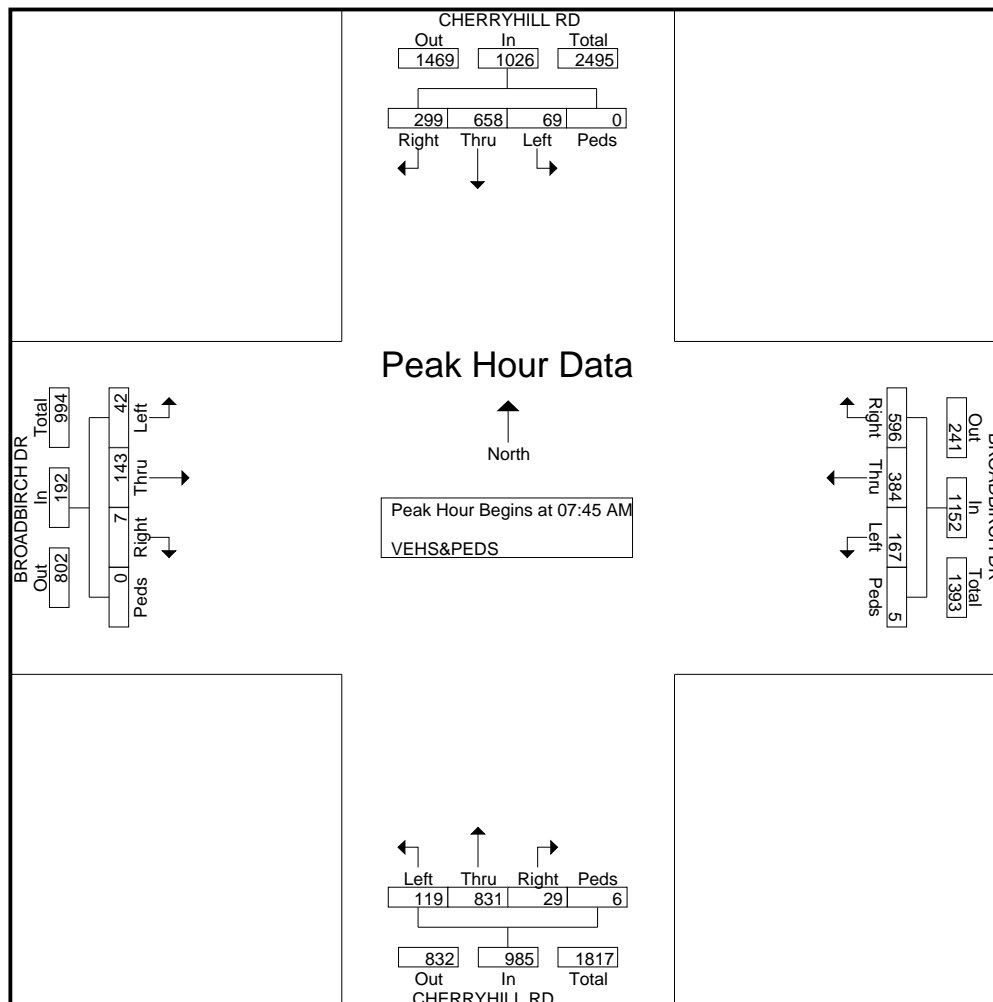
File Name : Cherry Hill Rd at Broadbirch Ave  
Site Code : 00000000  
Start Date : 5/27/2015  
Page No : 3

Start Time	CHERRYHILL RD From North					BROADBIRCH DR From East					CHERRYHILL RD From South					BROADBIRCH DR From West					Int. Total
	Right	Thru	Left	Peds	App. Total	Right	Thru	Left	Peds	App. Total	Right	Thru	Left	Peds	App. Total	Right	Thru	Left	Peds	App. Total	

Peak Hour Analysis From 06:00 AM to 12:30 PM - Peak 1 of 1

Peak Hour for Entire Intersection Begins at 07:45 AM

07:45 AM	54	104	5	0	163	159	95	44	1	299	6	197	28	2	233	0	14	8	0	22	717
08:00 AM	74	165	5	0	244	139	<b>102</b>	<b>48</b>	1	290	3	<b>228</b>	28	0	<b>259</b>	0	10	2	0	12	805
08:15 AM	78	185	<b>33</b>	0	296	<b>164</b>	94	40	<b>2</b>	<b>300</b>	<b>10</b>	205	28	<b>3</b>	246	2	<b>102</b>	<b>23</b>	0	<b>127</b>	<b>969</b>
08:30 AM	<b>93</b>	<b>204</b>	26	0	<b>323</b>	134	93	35	1	263	10	201	<b>35</b>	1	247	<b>5</b>	17	9	0	31	864
Total Volume	299	658	69	0	1026	596	384	167	5	1152	29	831	119	6	985	7	143	42	0	192	3355
% App. Total	29.1	64.1	6.7	0		51.7	33.3	14.5	0.4		2.9	84.4	12.1	0.6		3.6	74.5	21.9	0		
PHF	.804	.806	.523	.000	.794	.909	.941	.870	.625	.960	.725	.911	.850	.500	.951	.350	.350	.457	.000	.378	.866





# Sabra, Wang & Assoc, Inc

7055 Samuel Morse Dr, Suite 100  
Columbia, MD 21046  
443-741-3500

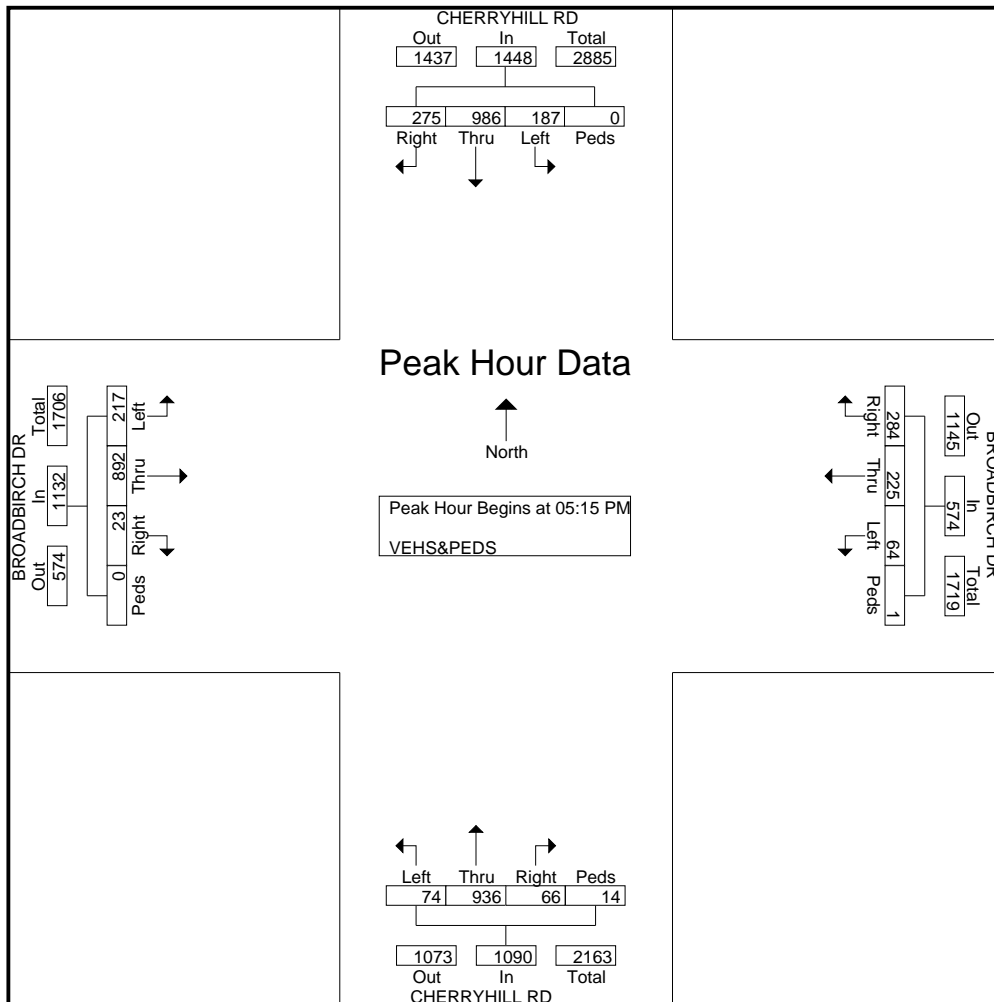
File Name : Cherry Hill Rd at Broadbirch Ave  
Site Code : 00000000  
Start Date : 5/27/2015  
Page No : 4

Start Time	CHERRYHILL RD From North					BROADBIRCH DR From East					CHERRYHILL RD From South					BROADBIRCH DR From West					Int. Total
	Right	Thru	Left	Peds	App. Total	Right	Thru	Left	Peds	App. Total	Right	Thru	Left	Peds	App. Total	Right	Thru	Left	Peds	App. Total	

Peak Hour Analysis From 12:45 PM to 06:45 PM - Peak 1 of 1

Peak Hour for Entire Intersection Begins at 05:15 PM

05:15 PM	85	<b>278</b>	<b>64</b>	0	<b>427</b>	67	50	15	0	132	15	<b>263</b>	19	<b>5</b>	<b>302</b>	<b>12</b>	135	<b>73</b>	0	220	1081
05:30 PM	<b>87</b>	233	41	0	361	<b>78</b>	58	<b>20</b>	0	<b>156</b>	15	253	<b>22</b>	4	294	6	243	47	0	296	<b>1107</b>
05:45 PM	59	251	49	0	359	62	<b>65</b>	12	0	139	16	223	19	2	260	3	214	73	0	290	1048
06:00 PM	44	224	33	0	301	77	52	17	<b>1</b>	147	<b>20</b>	197	14	3	234	2	<b>300</b>	24	0	<b>326</b>	1008
Total Volume	275	986	187	0	1448	284	225	64	1	574	66	936	74	14	1090	23	892	217	0	1132	4244
% App. Total	19	68.1	12.9	0		49.5	39.2	11.1	0.2		6.1	85.9	6.8	1.3		2	78.8	19.2	0		
PHF	.790	.887	.730	.000	.848	.910	.865	.800	.250	.920	.825	.890	.841	.700	.902	.479	.743	.743	.000	.868	.958



# Sabra, Wang & Assoc, Inc

7055 Samuel Morse Dr, Suite 100  
Columbia, MD 21046

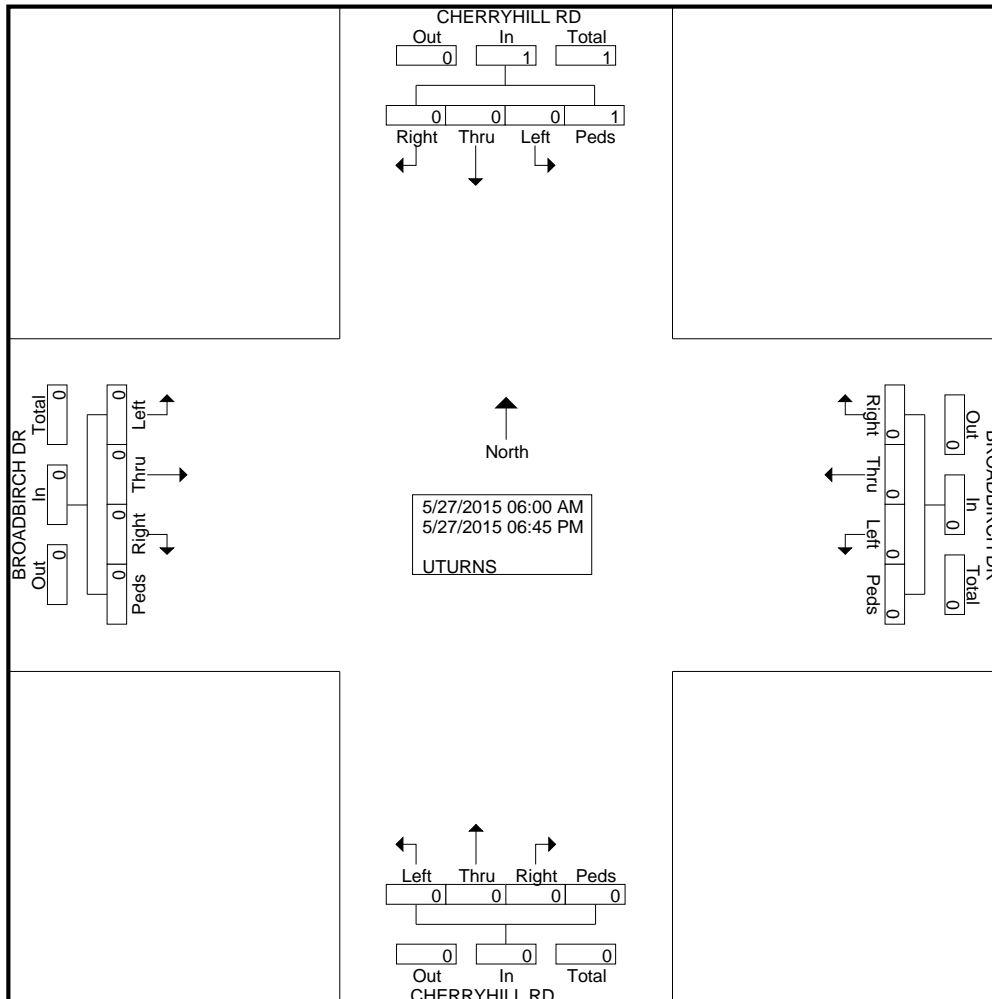
443-741-3500

Weather: SUNNY  
Counted By: GARY & DARRELL  
Town: SILVER SPRING  
County: MONTGOMERY

File Name : Cherry Hill Rd at Broadbirch Ave  
Site Code : 00000000  
Start Date : 5/27/2015  
Page No : 1

### Groups Printed- UTRNS

Start Time	CHERRYHILL RD From North					BROADBIRCH DR From East					CHERRYHILL RD From South					BROADBIRCH DR From West					Int. Total
	Right	Thru	Left	Peds	App. Total	Right	Thru	Left	Peds	App. Total	Right	Thru	Left	Peds	App. Total	Right	Thru	Left	Peds	App. Total	
**BREAK**																					
08:00 AM	0	0	0	1	1	0	0	0	0	0	0	0	0	0	0	0	0	0	0	0	0
**BREAK**																					
Total	0	0	0	1	1	0	0	0	0	0	0	0	0	0	0	0	0	0	0	0	0
Grand Total	0	0	0	1	1	0	0	0	0	0	0	0	0	0	0	0	0	0	0	0	1
Apprch %	0	0	0	100		0	0	0	0		0	0	0	0		0	0	0	0		
Total %	0	0	0	100	100	0	0	0	0	0	0	0	0	0	0	0	0	0	0	0	



# Sabra, Wang & Assoc, Inc

7055 Samuel Morse Dr, Suite 100  
Columbia, MD 21046  
443-741-3500

File Name : Cherry Hill Rd at Broadbirch Ave  
Site Code : 00000000  
Start Date : 5/27/2015  
Page No : 2

Start Time	CHERRYHILL RD From North					BROADBIRCH DR From East					CHERRYHILL RD From South					BROADBIRCH DR From West					Int. Total
	Right	Thru	Left	Peds	App. Total	Right	Thru	Left	Peds	App. Total	Right	Thru	Left	Peds	App. Total	Right	Thru	Left	Peds	App. Total	
Peak Hour Analysis From 06:00 AM to 12:30 PM - Peak 1 of 1																					
Peak Hour for Entire Intersection Begins at 07:15 AM																					
07:15 AM	0	0	0	0	0	0	0	0	0	0	0	0	0	0	0	0	0	0	0	0	0
07:30 AM	0	0	0	0	0	0	0	0	0	0	0	0	0	0	0	0	0	0	0	0	0
07:45 AM	0	0	0	0	0	0	0	0	0	0	0	0	0	0	0	0	0	0	0	0	0
08:00 AM	0	0	0	1	1	0	0	0	0	0	0	0	0	0	0	0	0	0	0	0	1
Total Volume	0	0	0	1	1	0	0	0	0	0	0	0	0	0	0	0	0	0	0	0	1
% App. Total	0	0	0	100		0	0	0	0		0	0	0	0		0	0	0	0		
PHF	.000	.000	.000	.250	.250	.000	.000	.000	.000	.000	.000	.000	.000	.000	.000	.000	.000	.000	.000	.000	.250

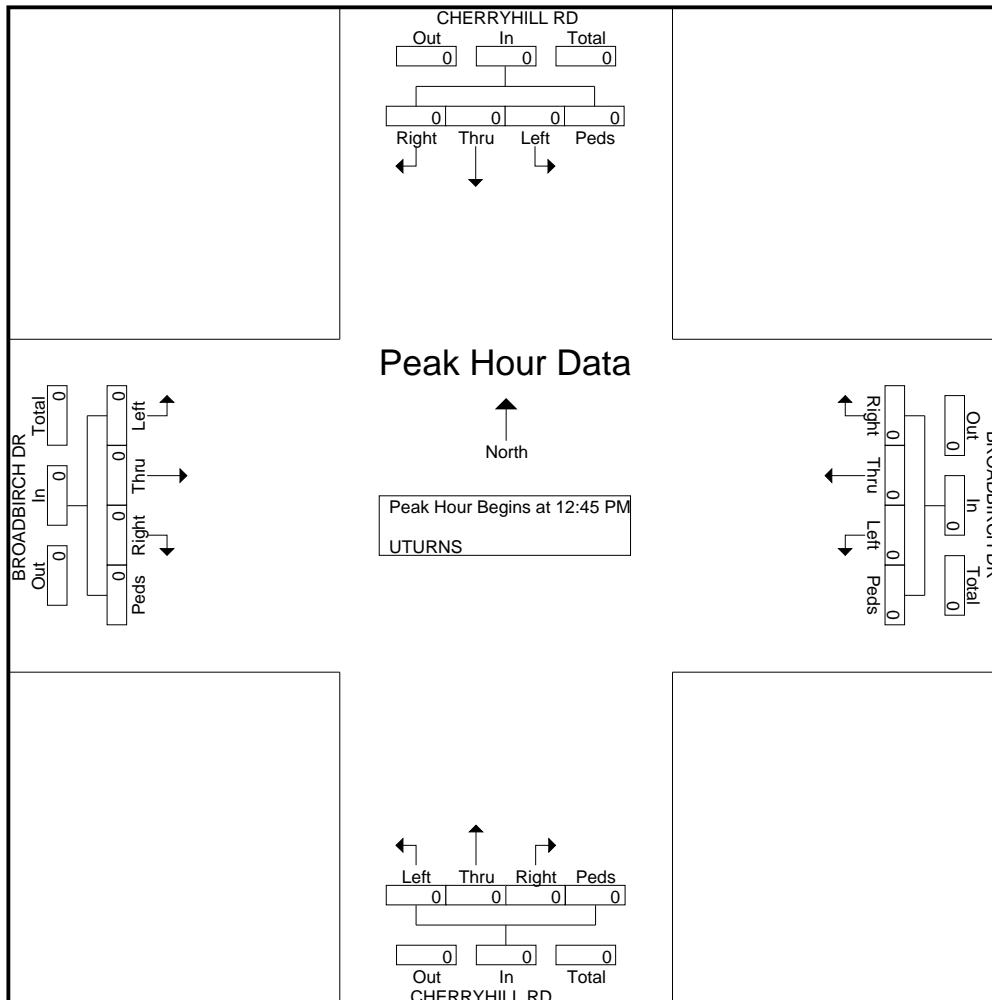
# Sabra, Wang & Assoc, Inc

7055 Samuel Morse Dr, Suite 100  
Columbia, MD 21046  
443-741-3500

File Name : Cherry Hill Rd at Broadbirch Ave  
Site Code : 00000000  
Start Date : 5/27/2015  
Page No : 3

Start Time	CHERRYHILL RD From North					BROADBIRCH DR From East					CHERRYHILL RD From South					BROADBIRCH DR From West					Int. Total
	Right	Thru	Left	Peds	App. Total	Right	Thru	Left	Peds	App. Total	Right	Thru	Left	Peds	App. Total	Right	Thru	Left	Peds	App. Total	
12:45 PM	0	0	0	0	0	0	0	0	0	0	0	0	0	0	0	0	0	0	0	0	0
01:00 PM	0	0	0	0	0	0	0	0	0	0	0	0	0	0	0	0	0	0	0	0	0
01:15 PM	0	0	0	0	0	0	0	0	0	0	0	0	0	0	0	0	0	0	0	0	0
01:30 PM	0	0	0	0	0	0	0	0	0	0	0	0	0	0	0	0	0	0	0	0	0
Total Volume	0	0	0	0	0	0	0	0	0	0	0	0	0	0	0	0	0	0	0	0	0
% App. Total	0	0	0	0	0	0	0	0	0	0	0	0	0	0	0	0	0	0	0	0	0
PHF	.000	.000	.000	.000	.000	.000	.000	.000	.000	.000	.000	.000	.000	.000	.000	.000	.000	.000	.000	.000	.000

Peak Hour Analysis From 12:45 PM to 06:45 PM - Peak 1 of 1  
Peak Hour for Entire Intersection Begins at 12:45 PM



# Sabra, Wang & Assoc, Inc

7055 Samuel Morse Dr, Suite 100  
Columbia, MD 21046  
*443-741-3500*

Weather: SUNNY  
Counted By: GARY & DARRELL  
Town: SILVER SPRING  
County: MONTGOMERY

File Name : Cherry Hill Rd at Broadbirch Ave  
Site Code : 00000000  
Start Date : 5/27/2015  
Page No : 1

Groups Printed- BICYCLES

Start Time	CHERRYHILL RD From North					BROADBIRCH DR From East					CHERRYHILL RD From South					BROADBIRCH DR From West					Int. Total
	Right	Thru	Left	Peds	App. Total	Right	Thru	Left	Peds	App. Total	Right	Thru	Left	Peds	App. Total	Right	Thru	Left	Peds	App. Total	
**BREAK**																					
07:45 AM	0	0	0	0	0	0	0	0	0	0	0	0	0	2	2	0	0	0	0	0	2
Total	0	0	0	0	0	0	0	0	0	0	0	0	0	2	2	0	0	0	0	0	2
08:00 AM	0	0	0	0	0	0	0	0	1	1	2	0	0	1	3	0	0	0	0	0	4
**BREAK**																					
08:45 AM	0	0	0	0	0	0	0	1	0	1	0	0	0	0	0	0	0	0	0	0	1
Total	0	0	0	0	0	0	0	1	1	2	2	0	0	1	3	0	0	0	0	0	5
**BREAK**																					
05:30 PM	0	0	0	0	0	0	0	0	0	0	0	1	0	0	1	0	0	0	0	0	1
05:45 PM	0	0	0	0	0	0	1	0	0	1	0	1	0	0	1	0	0	0	0	0	2
Total	0	0	0	0	0	0	1	0	0	1	0	2	0	0	2	0	0	0	0	0	3
**BREAK**																					
Grand Total	0	0	0	0	0	0	1	1	1	3	2	2	0	3	7	0	0	0	0	0	10
Apprch %	0	0	0	0	0	0	33.3	33.3	33.3		28.6	28.6	0	42.9		0	0	0	0		
Total %	0	0	0	0	0	0	10	10	10	30	20	20	0	30	70	0	0	0	0	0	

# Sabra, Wang & Assoc, Inc

7055 Samuel Morse Dr, Suite 100  
Columbia, MD 21046

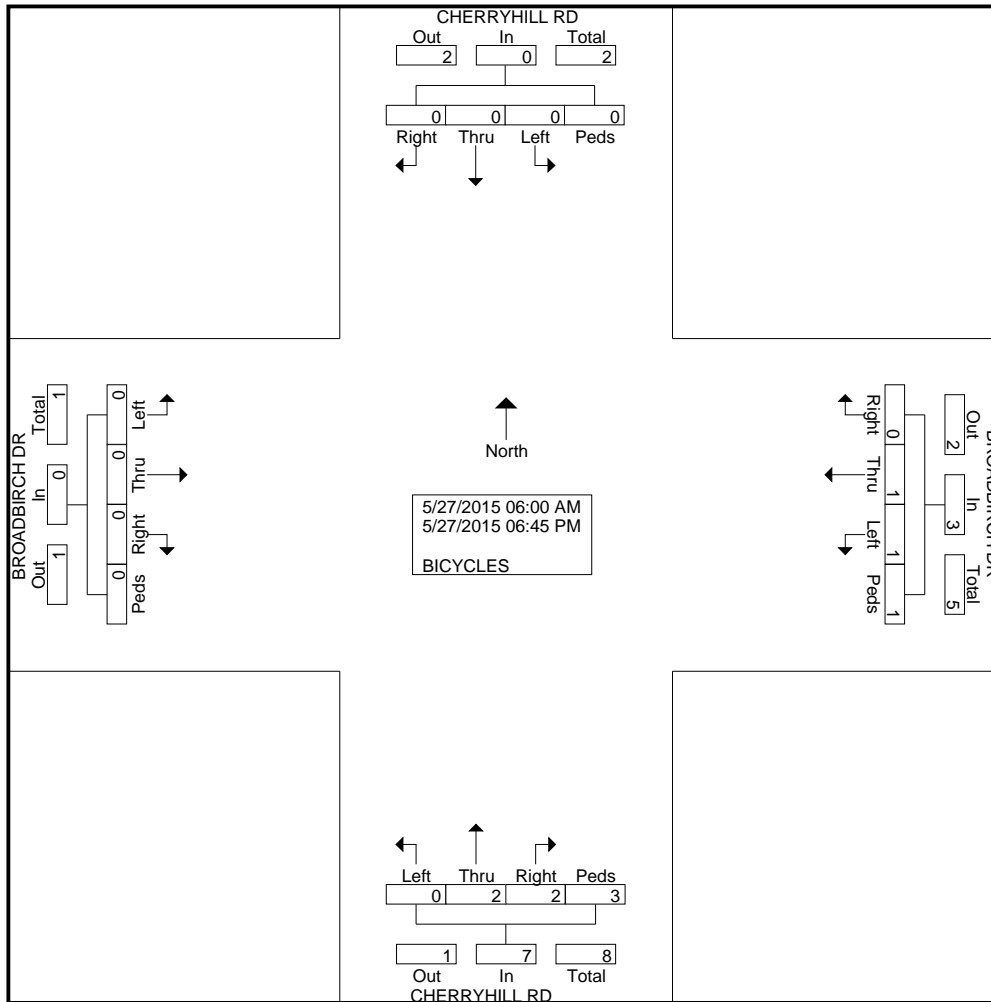
443-741-3500

File Name : Cherry Hill Rd at Broadbirch Ave

Site Code : 00000000

Start Date : 5/27/2015

Page No : 2

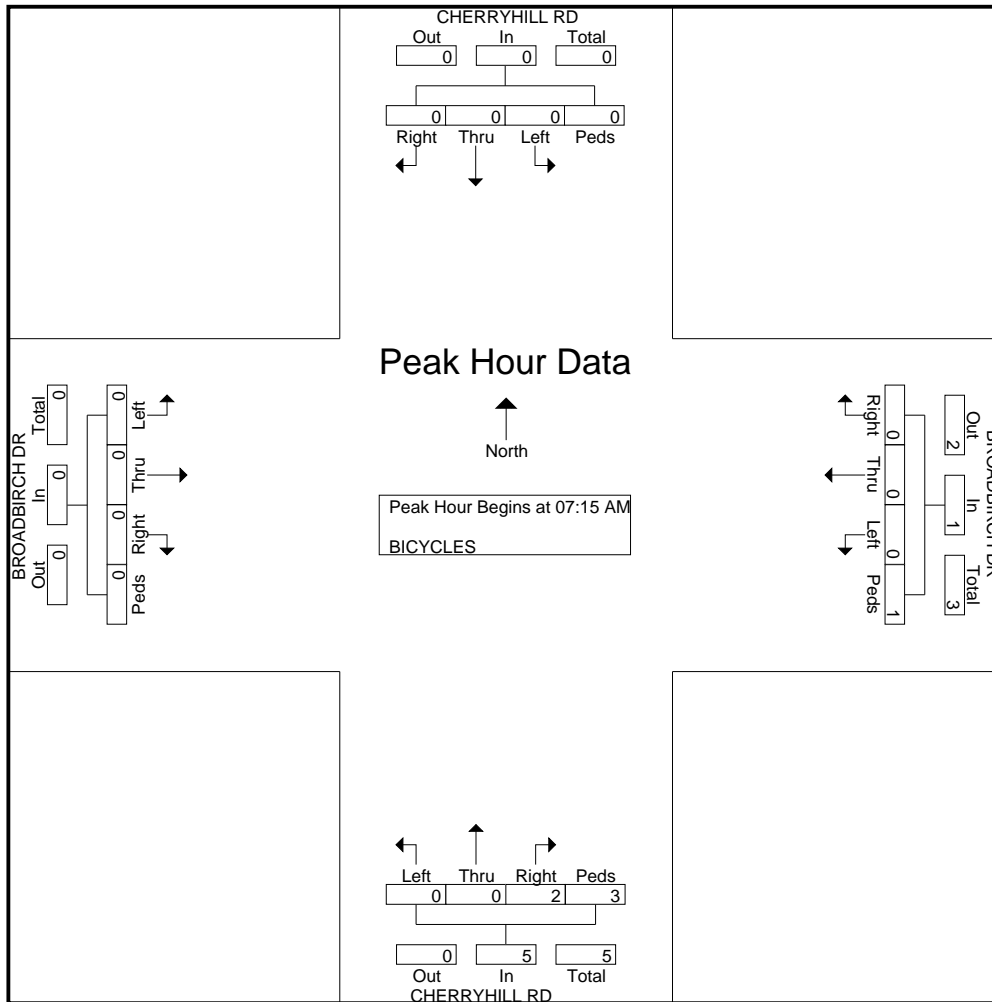


# Sabra, Wang & Assoc, Inc

7055 Samuel Morse Dr, Suite 100  
Columbia, MD 21046  
443-741-3500

File Name : Cherry Hill Rd at Broadbirch Ave  
Site Code : 00000000  
Start Date : 5/27/2015  
Page No : 3

Start Time	CHERRYHILL RD From North					BROADBIRCH DR From East					CHERRYHILL RD From South					BROADBIRCH DR From West					Int. Total
	Right	Thru	Left	Peds	App. Total	Right	Thru	Left	Peds	App. Total	Right	Thru	Left	Peds	App. Total	Right	Thru	Left	Peds	App. Total	
Peak Hour Analysis From 06:00 AM to 12:30 PM - Peak 1 of 1																					
Peak Hour for Entire Intersection Begins at 07:15 AM																					
07:15 AM	0	0	0	0	0	0	0	0	0	0	0	0	0	0	0	0	0	0	0	0	0
07:30 AM	0	0	0	0	0	0	0	0	0	0	0	0	0	0	0	0	0	0	0	0	0
07:45 AM	0	0	0	0	0	0	0	0	0	0	0	0	0	2	2	0	0	0	0	0	2
08:00 AM	0	0	0	0	0	0	0	0	1	1	2	0	0	1	3	0	0	0	0	0	4
Total Volume	0	0	0	0	0	0	0	0	1	1	2	0	0	3	5	0	0	0	0	0	6
% App. Total	0	0	0	0	0	0	0	0	100	100	40	0	0	60	60	0	0	0	0	0	60
PHF	.000	.000	.000	.000	.000	.000	.000	.000	.250	.250	.250	.000	.000	.375	.417	.000	.000	.000	.000	.000	.375



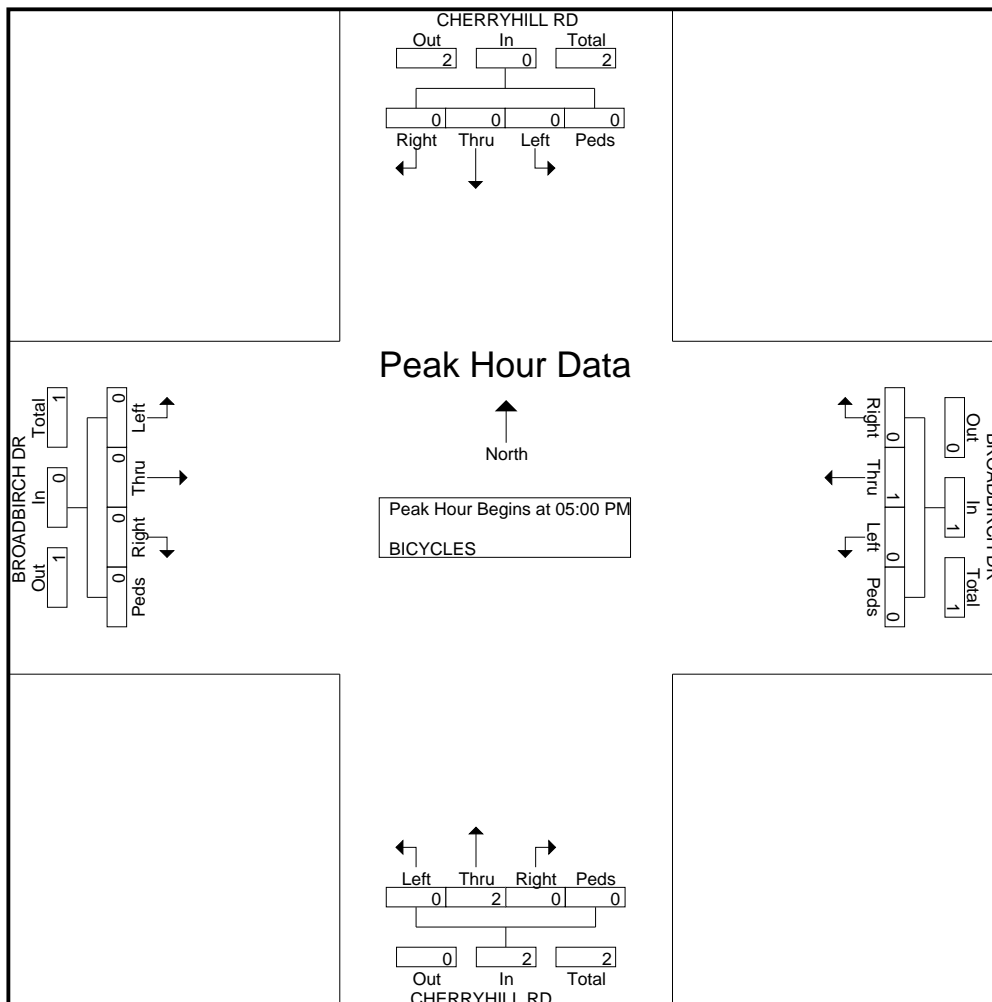
# Sabra, Wang & Assoc, Inc

7055 Samuel Morse Dr, Suite 100  
Columbia, MD 21046  
443-741-3500

File Name : Cherry Hill Rd at Broadbirch Ave  
Site Code : 00000000  
Start Date : 5/27/2015  
Page No : 4

Start Time	CHERRYHILL RD From North					BROADBIRCH DR From East					CHERRYHILL RD From South					BROADBIRCH DR From West					Int. Total
	Right	Thru	Left	Peds	App. Total	Right	Thru	Left	Peds	App. Total	Right	Thru	Left	Peds	App. Total	Right	Thru	Left	Peds	App. Total	
05:00 PM	0	0	0	0	0	0	0	0	0	0	0	0	0	0	0	0	0	0	0	0	0
05:15 PM	0	0	0	0	0	0	0	0	0	0	0	0	0	0	0	0	0	0	0	0	0
05:30 PM	0	0	0	0	0	0	0	0	0	0	0	1	0	0	1	0	0	0	0	0	1
05:45 PM	0	0	0	0	0	0	1	0	0	1	0	1	0	0	1	0	0	0	0	0	2
Total Volume	0	0	0	0	0	0	1	0	0	1	0	2	0	0	2	0	0	0	0	0	3
% App. Total	0	0	0	0		0	100	0	0		0	100	0	0		0	0	0	0		
PHF	.000	.000	.000	.000	.000	.000	.250	.000	.000	.250	.000	.500	.000	.000	.500	.000	.000	.000	.000	.000	.375

Peak Hour Analysis From 12:45 PM to 06:45 PM - Peak 1 of 1  
Peak Hour for Entire Intersection Begins at 05:00 PM





# Sabra, Wang & Assoc, Inc

7055 Samuel Morse Dr, Suite 100

Columbia, MD 21046

443-741-3500

Weather: SUNNY  
 Counted By: HORACE  
 Town: SILVER SPRING  
 County: MONTGOMERY

File Name : Cherry Hill Rd at FDA Blvd  
 Site Code : 00000000  
 Start Date : 5/20/2015  
 Page No : 1

## Groups Printed- VEHS&PEDS

Start Time	CHERRY HILL RD From North					NO ENTRANCE From East					CHERRY HILL RD From South					FDA BLVD From West					Int. Total
	Right	Thru	Left	Peds	App. Total	Right	Thru	Left	Peds	App. Total	Right	Thru	Left	Peds	App. Total	Right	Thru	Left	Peds	App. Total	
06:00 AM	18	83	0	0	101	0	0	0	0	0	0	103	15	0	118	0	0	9	4	13	232
06:15 AM	27	110	0	0	137	0	0	0	0	0	0	124	25	0	149	0	0	14	0	14	300
06:30 AM	24	164	0	0	188	0	0	0	0	0	0	167	23	0	190	2	0	12	0	14	392
06:45 AM	52	193	0	0	245	0	0	0	0	0	0	185	44	0	229	2	0	4	0	6	480
Total	121	550	0	0	671	0	0	0	0	0	0	579	107	0	686	4	0	39	4	47	1404
07:00 AM	55	240	0	0	295	0	0	0	0	0	0	213	36	0	249	2	0	4	0	6	550
07:15 AM	93	288	0	0	381	0	0	0	0	0	0	183	48	0	231	4	0	8	0	12	624
07:30 AM	78	255	0	1	334	0	0	0	0	0	0	213	37	0	250	1	0	6	0	7	591
07:45 AM	55	173	0	0	228	0	0	0	0	0	0	198	52	0	250	3	0	3	0	6	484
Total	281	956	0	1	1238	0	0	0	0	0	0	807	173	0	980	10	0	21	0	31	2249
08:00 AM	68	151	0	0	219	0	0	0	0	0	0	228	43	0	271	2	0	2	0	4	494
08:15 AM	66	164	0	0	230	0	0	0	0	0	0	184	46	0	230	1	0	2	0	3	463
08:30 AM	68	197	0	0	265	0	0	0	0	0	0	156	46	0	202	0	0	2	0	2	469
08:45 AM	70	209	0	0	279	0	0	0	0	0	0	204	47	0	251	1	0	0	1	2	532
Total	272	721	0	0	993	0	0	0	0	0	0	772	182	0	954	4	0	6	1	11	1958
09:00 AM	43	172	0	0	215	0	0	0	0	0	0	141	40	0	181	0	0	2	0	2	398
09:15 AM	45	208	0	0	253	0	0	0	0	0	0	168	28	0	196	5	0	5	0	10	459
09:30 AM	30	204	0	0	234	0	0	0	0	0	0	176	25	0	201	3	0	1	1	5	440
09:45 AM	11	196	0	0	207	0	0	0	0	0	0	146	15	0	161	3	0	7	0	10	378
Total	129	780	0	0	909	0	0	0	0	0	0	631	108	0	739	11	0	15	1	27	1675
**BREAK**																					
04:00 PM	24	210	0	0	234	0	0	0	0	0	0	225	3	0	228	33	0	41	3	77	539
04:15 PM	6	281	0	0	287	0	0	0	0	0	0	214	1	0	215	69	0	78	4	151	653
04:30 PM	4	242	0	0	246	0	0	0	0	0	0	172	1	0	173	33	0	55	0	88	507
04:45 PM	4	272	0	0	276	0	0	0	0	0	0	180	0	0	180	42	0	59	4	105	561
Total	38	1005	0	0	1043	0	0	0	0	0	0	791	5	0	796	177	0	233	11	421	2260
05:00 PM	2	316	0	0	318	0	0	0	0	0	0	222	4	0	226	24	0	43	2	69	613
05:15 PM	3	399	0	0	402	0	0	0	0	0	0	221	0	0	221	38	0	44	4	86	709
05:30 PM	1	327	0	0	328	0	0	0	0	0	0	241	1	0	242	20	0	22	1	43	613

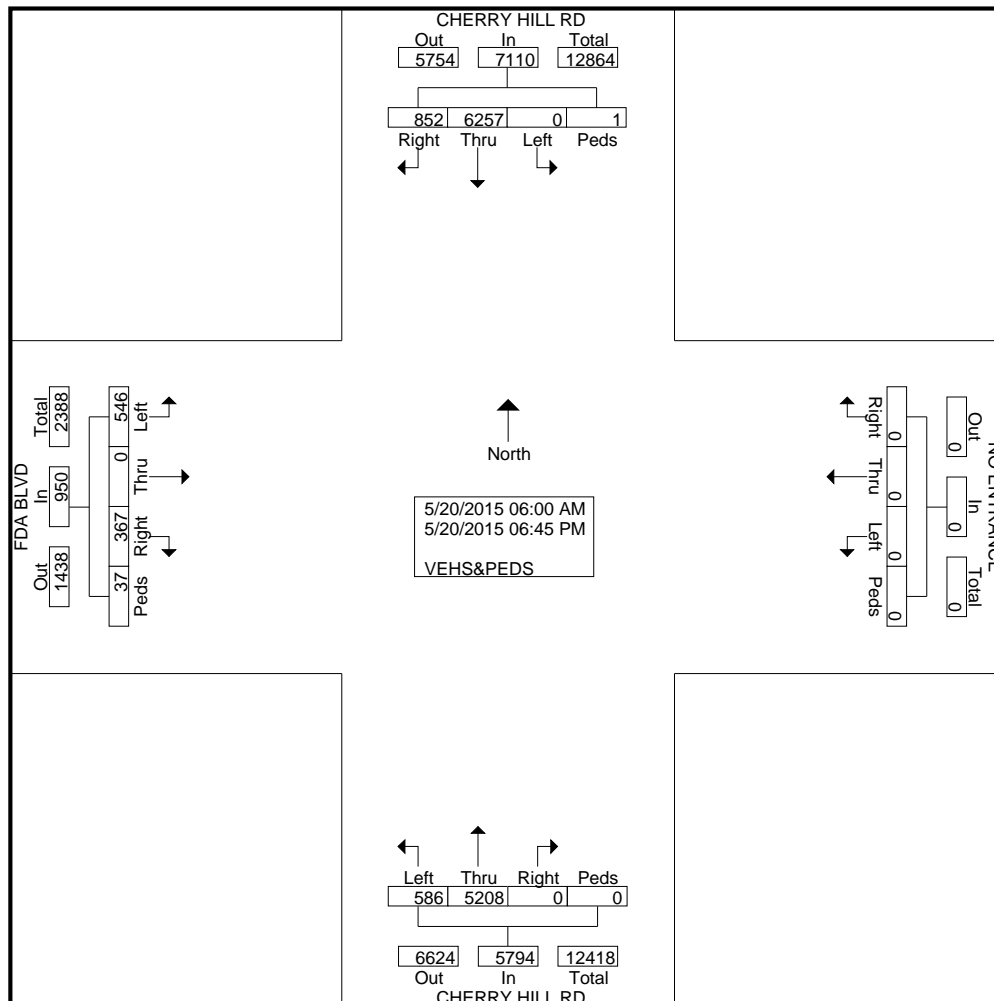
# Sabra, Wang & Assoc, Inc

7055 Samuel Morse Dr, Suite 100  
Columbia, MD 21046  
443-741-3500

File Name : Cherry Hill Rd at FDA Blvd  
Site Code : 00000000  
Start Date : 5/20/2015  
Page No : 2

Groups Printed- VEHS&PEDS

Start Time	CHERRY HILL RD From North					NO ENTRANCE From East					CHERRY HILL RD From South					FDA BLVD From West					Int. Total
	Right	Thru	Left	Peds	App. Total	Right	Thru	Left	Peds	App. Total	Right	Thru	Left	Peds	App. Total	Right	Thru	Left	Peds	App. Total	
05:45 PM	1	245	0	0	246	0	0	0	0	0	0	206	0	0	206	28	0	46	4	78	530
Total	7	1287	0	0	1294	0	0	0	0	0	0	890	5	0	895	110	0	155	11	276	2465
06:00 PM	0	217	0	0	217	0	0	0	0	0	0	156	1	0	157	10	0	22	0	32	406
06:15 PM	0	260	0	0	260	0	0	0	0	0	0	183	0	0	183	18	0	26	1	45	488
06:30 PM	2	263	0	0	265	0	0	0	0	0	0	206	2	0	208	15	0	17	2	34	507
06:45 PM	2	218	0	0	220	0	0	0	0	0	0	193	3	0	196	8	0	12	6	26	442
Total	4	958	0	0	962	0	0	0	0	0	0	738	6	0	744	51	0	77	9	137	1843
Grand Total	852	6257	0	1	7110	0	0	0	0	0	0	5208	586	0	5794	367	0	546	37	950	13854
Apprch %	12	88	0	0		0	0	0	0		0	89.9	10.1	0		38.6	0	57.5	3.9		
Total %	6.1	45.2	0	0	51.3	0	0	0	0	0	0	37.6	4.2	0	41.8	2.6	0	3.9	0.3	6.9	



# Sabra, Wang & Assoc, Inc

7055 Samuel Morse Dr, Suite 100  
Columbia, MD 21046  
443-741-3500

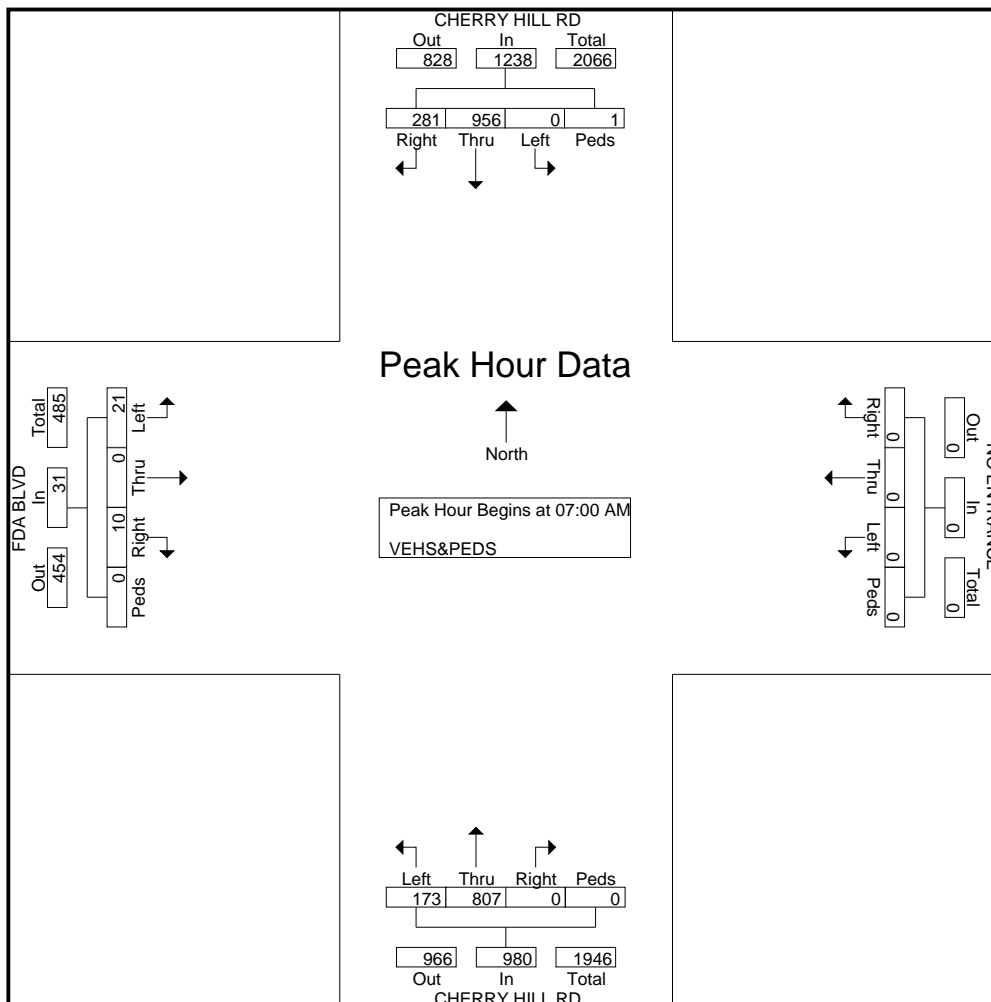
File Name : Cherry Hill Rd at FDA Blvd  
Site Code : 00000000  
Start Date : 5/20/2015  
Page No : 3

Start Time	CHERRY HILL RD From North					NO ENTRANCE From East					CHERRY HILL RD From South					FDA BLVD From West					Int. Total
	Right	Thru	Left	Peds	App. Total	Right	Thru	Left	Peds	App. Total	Right	Thru	Left	Peds	App. Total	Right	Thru	Left	Peds	App. Total	

Peak Hour Analysis From 06:00 AM to 11:45 AM - Peak 1 of 1

Peak Hour for Entire Intersection Begins at 07:00 AM

07:00 AM	55	240	0	0	295	0	0	0	0	0	0	213	36	0	249	2	0	4	0	6	550
07:15 AM	<b>93</b>	<b>288</b>	0	0	<b>381</b>	0	0	0	0	0	0	183	48	0	231	<b>4</b>	0	<b>8</b>	0	<b>12</b>	<b>624</b>
07:30 AM	78	255	0	<b>1</b>	334	0	0	0	0	0	0	213	37	0	<b>250</b>	1	0	6	0	7	591
07:45 AM	55	173	0	0	228	0	0	0	0	0	0	198	<b>52</b>	0	250	3	0	3	0	6	484
Total Volume	281	956	0	1	1238	0	0	0	0	0	0	807	173	0	980	10	0	21	0	31	2249
% App. Total	22.7	77.2	0	0.1		0	0	0	0		0	82.3	17.7	0		32.3	0	67.7	0		
PHF	.755	.830	.000	.250	.812	.000	.000	.000	.000	.000	.000	.947	.832	.000	.980	.625	.000	.656	.000	.646	.901



# Sabra, Wang & Assoc, Inc

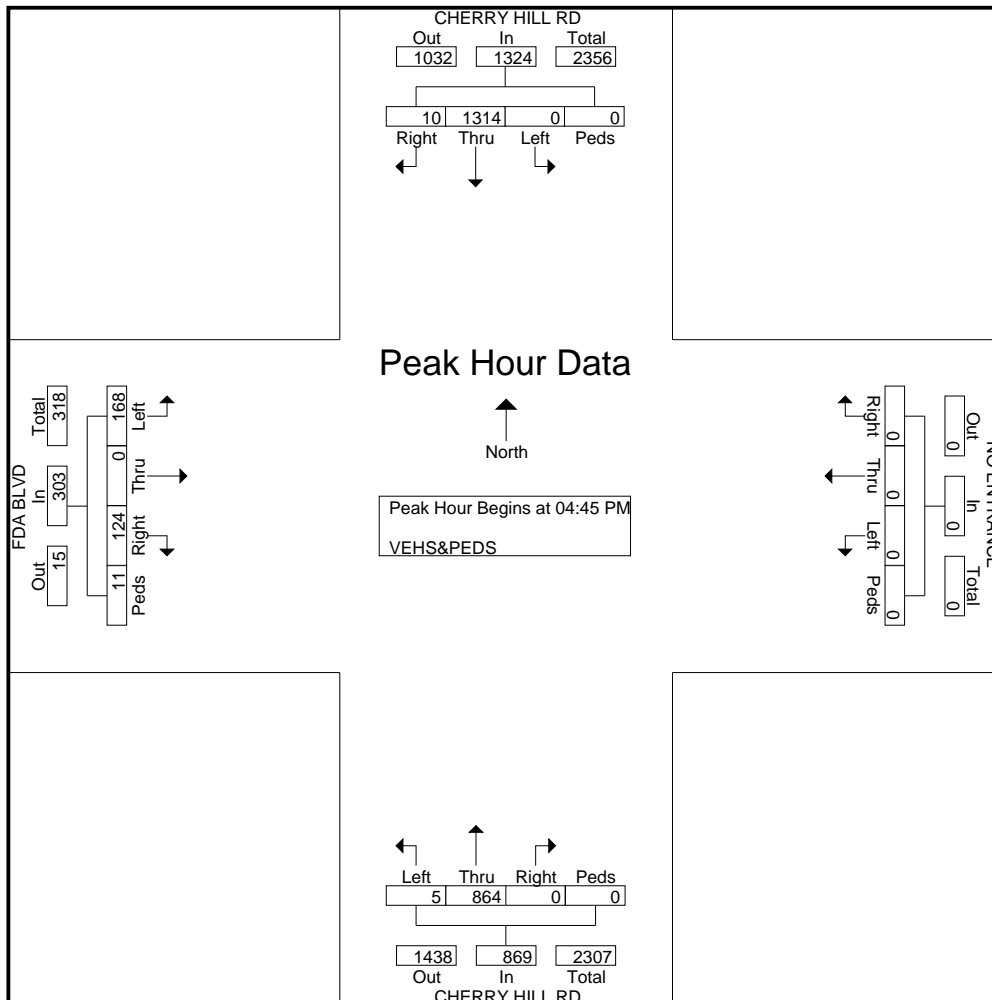
7055 Samuel Morse Dr, Suite 100  
Columbia, MD 21046  
443-741-3500

File Name : Cherry Hill Rd at FDA Blvd  
Site Code : 00000000  
Start Date : 5/20/2015  
Page No : 4

Start Time	CHERRY HILL RD From North					NO ENTRANCE From East					CHERRY HILL RD From South					FDA BLVD From West					Int. Total
	Right	Thru	Left	Peds	App. Total	Right	Thru	Left	Peds	App. Total	Right	Thru	Left	Peds	App. Total	Right	Thru	Left	Peds	App. Total	
04:45 PM	4	272	0	0	276	0	0	0	0	0	0	180	0	0	180	42	0	59	4	105	561
05:00 PM	2	316	0	0	318	0	0	0	0	0	0	222	4	0	226	24	0	43	2	69	613
05:15 PM	3	399	0	0	402	0	0	0	0	0	0	221	0	0	221	38	0	44	4	86	709
05:30 PM	1	327	0	0	328	0	0	0	0	0	0	241	1	0	242	20	0	22	1	43	613
Total Volume	10	1314	0	0	1324	0	0	0	0	0	0	864	5	0	869	124	0	168	11	303	2496
% App. Total	0.8	99.2	0	0		0	0	0	0		0	99.4	0.6	0		40.9	0	55.4	3.6		
PHF	.625	.823	.000	.000	.823	.000	.000	.000	.000	.000	.000	.896	.313	.000	.898	.738	.000	.712	.688	.721	.880

Peak Hour Analysis From 12:00 PM to 06:45 PM - Peak 1 of 1

Peak Hour for Entire Intersection Begins at 04:45 PM



# Sabra, Wang & Assoc, Inc

7055 Samuel Morse Dr, Suite 100  
Columbia, MD 21046  
443-741-3500

Weather: SUNNY  
Counted By: HORACE  
Town: SILVER SPRING  
County: MONTGOMERY

File Name : Cherry Hill Rd at FDA Blvd  
Site Code : 00000000  
Start Date : 5/20/2015  
Page No : 1

Groups Printed- BICYCLES

Start Time	CHERRY HILL RD From North					NO ENTRANCE From East					CHERRY HILL RD From South					FDA BLVD From West					Int. Total
	Right	Thru	Left	Peds	App. Total	Right	Thru	Left	Peds	App. Total	Right	Thru	Left	Peds	App. Total	Right	Thru	Left	Peds	App. Total	
**BREAK**																					
09:00 AM	0	1	0	0	1	0	0	0	0	0	0	0	0	0	0	0	0	0	0	0	1
**BREAK**																					
09:45 AM	0	0	0	0	0	0	0	0	0	0	0	1	1	0	2	0	0	0	0	0	2
Total	0	1	0	0	1	0	0	0	0	0	0	1	1	0	2	0	0	0	0	0	3
**BREAK**																					
04:00 PM	1	0	0	0	1	0	0	0	0	0	0	0	0	0	0	0	0	0	0	0	1
**BREAK**																					
Total	1	0	0	0	1	0	0	0	0	0	0	0	0	0	0	0	0	0	0	0	1
05:00 PM	0	0	0	0	0	0	0	0	0	0	0	0	0	0	0	0	0	1	0	1	1
05:15 PM	0	0	0	0	0	0	0	0	0	0	0	1	0	0	1	0	0	0	0	0	1
**BREAK**																					
Total	0	0	0	0	0	0	0	0	0	0	0	1	0	0	1	0	0	1	0	1	2
**BREAK**																					
06:45 PM	0	2	0	0	2	0	0	0	0	0	0	0	0	0	0	0	0	0	0	0	2
Total	0	2	0	0	2	0	0	0	0	0	0	0	0	0	0	0	0	0	0	0	2
Grand Total	1	3	0	0	4	0	0	0	0	0	0	2	1	0	3	0	0	1	0	1	8
Apprch %	25	75	0	0		0	0	0	0		0	66.7	33.3	0		0	0	100	0		
Total %	12.5	37.5	0	0	50	0	0	0	0	0	0	25	12.5	0	37.5	0	0	12.5	0	12.5	

# Sabra, Wang & Assoc, Inc

7055 Samuel Morse Dr, Suite 100  
Columbia, MD 21046

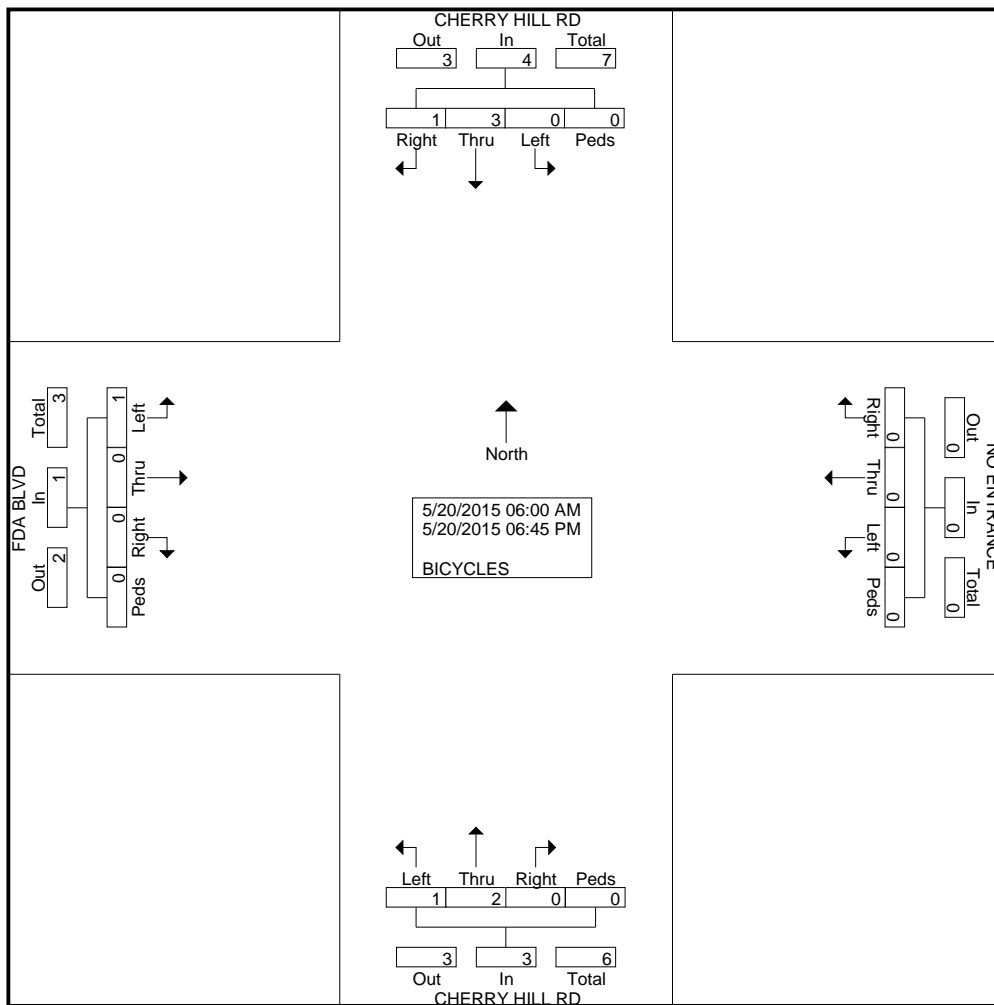
443-741-3500

File Name : Cherry Hill Rd at FDA Blvd

Site Code : 00000000

Start Date : 5/20/2015

Page No : 2



# Sabra, Wang & Assoc, Inc

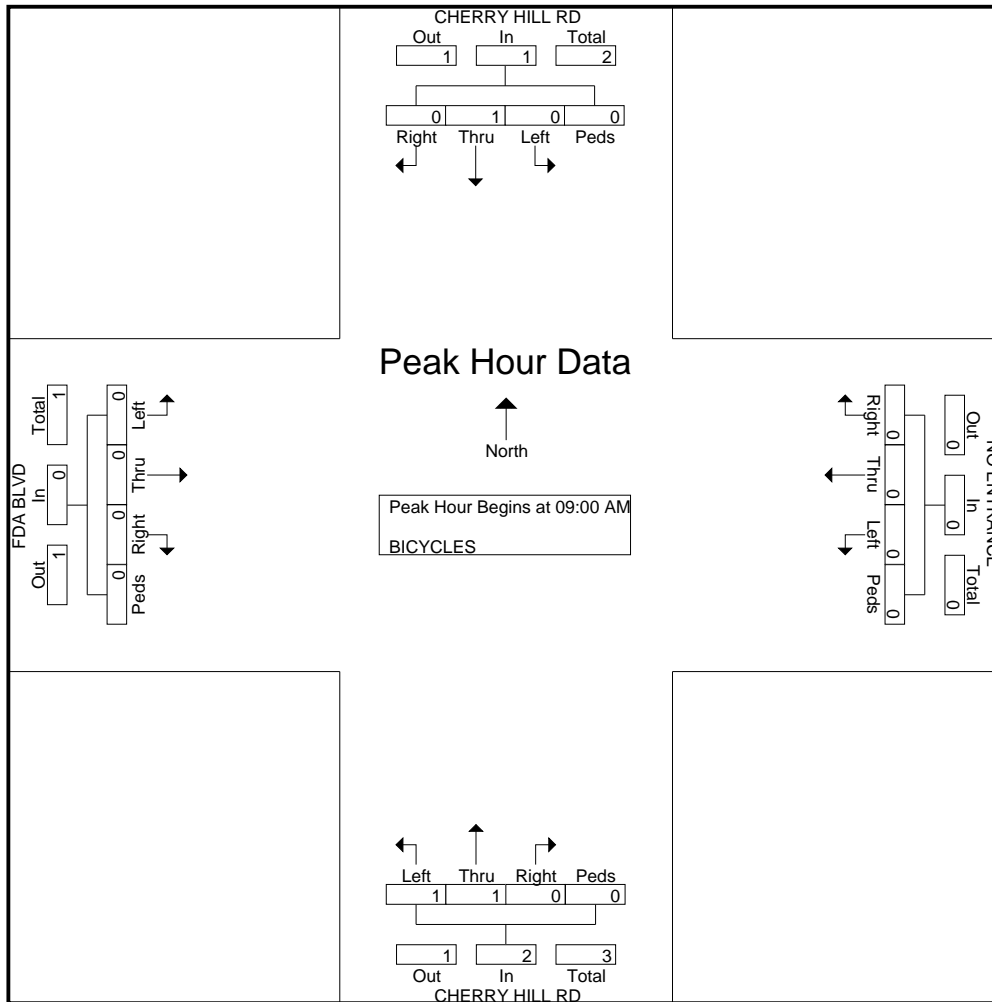
7055 Samuel Morse Dr, Suite 100  
Columbia, MD 21046  
443-741-3500

File Name : Cherry Hill Rd at FDA Blvd  
Site Code : 00000000  
Start Date : 5/20/2015  
Page No : 3

Start Time	CHERRY HILL RD From North					NO ENTRANCE From East					CHERRY HILL RD From South					FDA BLVD From West					Int. Total	
	Right	Thru	Left	Peds	App. Total	Right	Thru	Left	Peds	App. Total	Right	Thru	Left	Peds	App. Total	Right	Thru	Left	Peds	App. Total		
09:00 AM	0	1	0	0	1	0	0	0	0	0	0	0	0	0	0	0	0	0	0	0	0	1
09:15 AM	0	0	0	0	0	0	0	0	0	0	0	0	0	0	0	0	0	0	0	0	0	0
09:30 AM	0	0	0	0	0	0	0	0	0	0	0	0	0	0	0	0	0	0	0	0	0	0
09:45 AM	0	0	0	0	0	0	0	0	0	0	0	1	1	0	2	0	0	0	0	0	0	2
Total Volume	0	1	0	0	1	0	0	0	0	0	0	1	1	0	2	0	0	0	0	0	0	3
% App. Total	0	100	0	0		0	0	0	0		0	50	50	0		0	0	0	0			
PHF	.000	.250	.000	.000	.250	.000	.000	.000	.000	.000	.000	.250	.250	.000	.250	.000	.000	.000	.000	.000	.000	.375

Peak Hour Analysis From 06:00 AM to 11:45 AM - Peak 1 of 1

Peak Hour for Entire Intersection Begins at 09:00 AM



# Sabra, Wang & Assoc, Inc

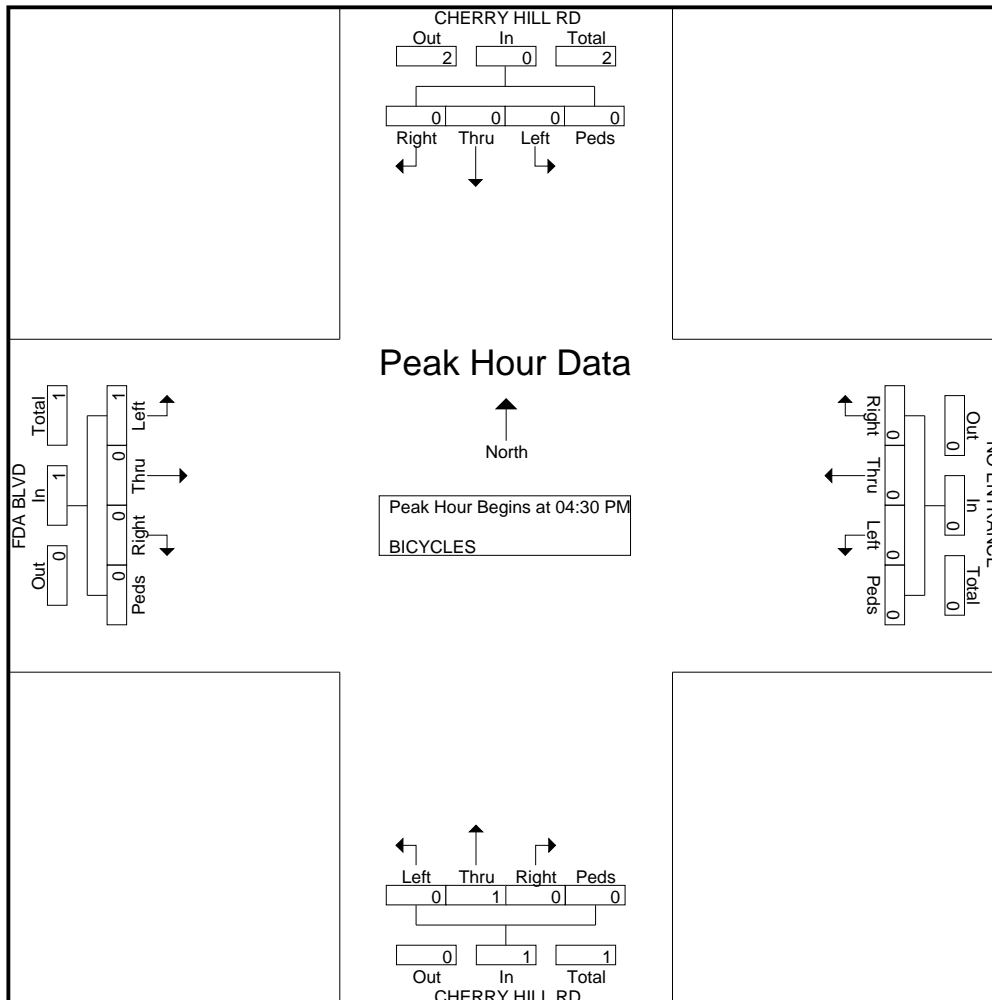
7055 Samuel Morse Dr, Suite 100  
Columbia, MD 21046  
443-741-3500

File Name : Cherry Hill Rd at FDA Blvd  
Site Code : 00000000  
Start Date : 5/20/2015  
Page No : 4

Start Time	CHERRY HILL RD From North					NO ENTRANCE From East					CHERRY HILL RD From South					FDA BLVD From West					Int. Total
	Right	Thru	Left	Peds	App. Total	Right	Thru	Left	Peds	App. Total	Right	Thru	Left	Peds	App. Total	Right	Thru	Left	Peds	App. Total	
04:30 PM	0	0	0	0	0	0	0	0	0	0	0	0	0	0	0	0	0	0	0	0	0
04:45 PM	0	0	0	0	0	0	0	0	0	0	0	0	0	0	0	0	0	0	0	0	0
05:00 PM	0	0	0	0	0	0	0	0	0	0	0	0	0	0	0	0	0	1	0	1	1
05:15 PM	0	0	0	0	0	0	0	0	0	0	0	1	0	0	1	0	0	0	0	0	1
Total Volume	0	0	0	0	0	0	0	0	0	0	0	1	0	0	1	0	0	1	0	1	2
% App. Total	0	0	0	0	0	0	0	0	0	0	0	100	0	0	0	0	0	100	0	0	0
PHF	.000	.000	.000	.000	.000	.000	.000	.000	.000	.000	.000	.250	.000	.000	.250	.000	.000	.250	.000	.250	.500

Peak Hour Analysis From 12:00 PM to 06:45 PM - Peak 1 of 1

Peak Hour for Entire Intersection Begins at 04:30 PM





# Sabra, Wang & Assoc, Inc

7055 Samuel Morse Dr, Suite 100

Columbia, MD 21046

443-741-3500

Weather: SUNNY  
 Counted By: HORACE  
 Town: SILVER SPRING  
 County: MONTGOMERY

File Name : Cherry Hill Rd at Plum Orchard Dr  
 Site Code : 00000000  
 Start Date : 5/13/2015  
 Page No : 1

## Groups Printed- VEHS&PEDS

Start Time	CHERRY HILL RD From North					PLUM ORCHARD DR From East					CHERRY HILL RD From South					PLUM ORCHARD DR From West					Int. Total
	Right	Thru	Left	Peds	App. Total	Right	Thru	Left	Peds	App. Total	Right	Thru	Left	Peds	App. Total	Right	Thru	Left	Peds	App. Total	
06:00 AM	5	77	1	2	85	5	2	3	0	10	1	81	31	0	113	9	4	4	0	17	225
06:15 AM	9	136	1	0	146	3	5	4	2	14	0	140	50	0	190	21	0	10	0	31	381
06:30 AM	22	156	1	0	179	5	2	4	0	11	0	144	40	0	184	22	3	12	0	37	411
06:45 AM	16	195	4	0	215	6	8	9	0	23	2	118	56	0	176	12	3	4	0	19	433
Total	52	564	7	2	625	19	17	20	2	58	3	483	177	0	663	64	10	30	0	104	1450
07:00 AM	8	95	3	4	110	1	1	0	0	2	0	60	20	2	82	6	0	3	0	9	203
07:15 AM	25	295	6	0	326	4	3	7	6	20	1	138	25	1	165	11	0	5	2	18	529
07:30 AM	21	334	9	2	366	0	5	14	2	21	4	160	72	0	236	14	2	12	1	29	652
07:45 AM	11	170	0	0	181	5	5	7	1	18	0	76	23	0	99	8	1	6	0	15	313
Total	65	894	18	6	983	10	14	28	9	61	5	434	140	3	582	39	3	26	3	71	1697
08:00 AM	23	293	5	0	321	8	6	17	0	31	3	143	47	1	194	25	3	15	2	45	591
08:15 AM	26	285	7	2	320	9	6	10	4	29	0	130	54	0	184	24	4	15	1	44	577
08:30 AM	23	289	3	2	317	7	2	7	1	17	3	99	31	0	133	19	2	13	2	36	503
08:45 AM	25	231	6	1	263	10	5	5	3	23	2	109	35	1	147	16	3	12	0	31	464
Total	97	1098	21	5	1221	34	19	39	8	100	8	481	167	2	658	84	12	55	5	156	2135
09:00 AM	29	160	8	1	198	11	8	8	2	29	1	100	40	1	142	32	1	12	0	45	414
09:15 AM	30	159	4	1	194	9	7	6	0	22	2	97	38	0	137	29	2	11	1	43	396
09:30 AM	27	163	2	0	192	10	5	7	1	23	1	92	36	1	130	28	1	15	0	44	389
09:45 AM	28	165	3	5	201	11	6	9	4	30	2	85	34	1	122	26	6	14	1	47	400
Total	114	647	17	7	785	41	26	30	7	104	6	374	148	3	531	115	10	52	2	179	1599
**BREAK**																					
04:00 PM	21	134	8	1	164	6	5	3	0	14	3	116	37	0	156	76	16	39	2	133	467
04:15 PM	30	179	16	2	227	5	9	4	0	18	5	133	70	0	208	102	16	32	4	154	607
04:30 PM	39	238	7	1	285	2	8	1	0	11	6	139	58	0	203	128	18	36	7	189	688
04:45 PM	28	178	11	1	218	5	7	6	0	18	2	142	79	0	223	106	16	22	0	144	603
Total	118	729	42	5	894	18	29	14	0	61	16	530	244	0	790	412	66	129	13	620	2365
05:00 PM	37	186	7	7	237	2	8	5	0	15	7	101	65	0	173	84	12	49	25	170	595
05:15 PM	19	155	4	0	178	1	1	2	2	6	5	154	42	1	202	70	33	32	0	135	521
05:30 PM	33	158	6	1	198	5	1	3	2	11	6	146	37	0	189	93	25	33	1	152	550

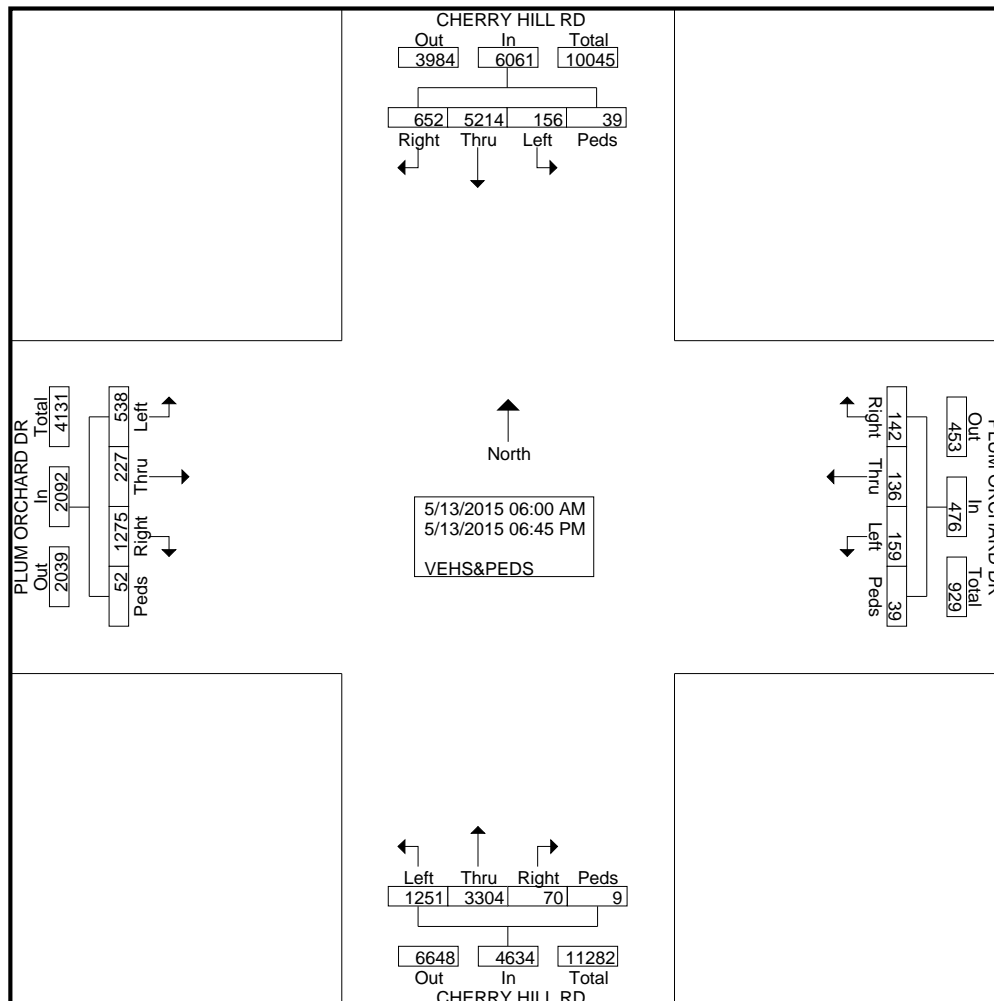
# Sabra, Wang & Assoc, Inc

7055 Samuel Morse Dr, Suite 100  
Columbia, MD 21046  
443-741-3500

File Name : Cherry Hill Rd at Plum Orchard Dr  
Site Code : 00000000  
Start Date : 5/13/2015  
Page No : 2

Groups Printed- VEHS&PEDS

Start Time	CHERRY HILL RD From North					PLUM ORCHARD DR From East					CHERRY HILL RD From South					PLUM ORCHARD DR From West					Int. Total
	Right	Thru	Left	Peds	App. Total	Right	Thru	Left	Peds	App. Total	Right	Thru	Left	Peds	App. Total	Right	Thru	Left	Peds	App. Total	
05:45 PM	30	161	3	3	197	1	2	6	2	11	2	131	53	0	186	93	13	28	0	134	528
Total	119	660	20	11	810	9	12	16	6	43	20	532	197	1	750	340	83	142	26	591	2194
06:00 PM	19	193	10	0	222	2	1	3	0	6	7	159	55	0	221	90	6	37	0	133	582
06:15 PM	20	173	6	2	201	5	4	6	5	20	3	143	37	0	183	70	16	34	3	123	527
06:30 PM	22	128	10	1	161	1	1	0	1	3	2	96	37	0	135	31	8	19	0	58	357
06:45 PM	26	128	5	0	159	3	13	3	1	20	0	72	49	0	121	30	13	14	0	57	357
Total	87	622	31	3	743	11	19	12	7	49	12	470	178	0	660	221	43	104	3	371	1823
Grand Total	652	5214	156	39	6061	142	136	159	39	476	70	3304	1251	9	4634	1275	227	538	52	2092	13263
Apprch %	10.8	86	2.6	0.6		29.8	28.6	33.4	8.2		1.5	71.3	27	0.2		60.9	10.9	25.7	2.5		
Total %	4.9	39.3	1.2	0.3	45.7	1.1	1	1.2	0.3	3.6	0.5	24.9	9.4	0.1	34.9	9.6	1.7	4.1	0.4	15.8	



# Sabra, Wang & Assoc, Inc

7055 Samuel Morse Dr, Suite 100  
Columbia, MD 21046  
443-741-3500

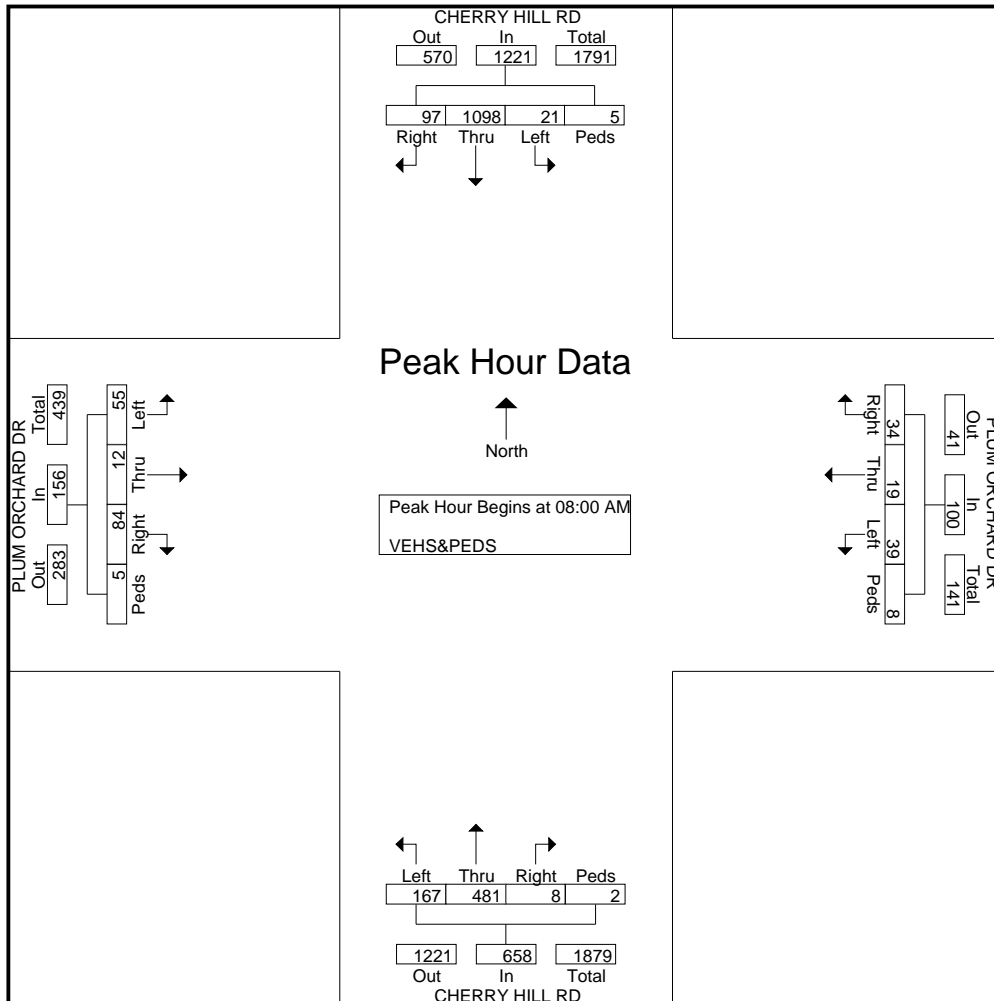
File Name : Cherry Hill Rd at Plum Orchard Dr  
Site Code : 00000000  
Start Date : 5/13/2015  
Page No : 3

Start Time	CHERRY HILL RD From North					PLUM ORCHARD DR From East					CHERRY HILL RD From South					PLUM ORCHARD DR From West					Int. Total
	Right	Thru	Left	Peds	App. Total	Right	Thru	Left	Peds	App. Total	Right	Thru	Left	Peds	App. Total	Right	Thru	Left	Peds	App. Total	

Peak Hour Analysis From 06:00 AM to 11:45 AM - Peak 1 of 1

Peak Hour for Entire Intersection Begins at 08:00 AM

08:00 AM	23	<b>293</b>	5	0	<b>321</b>	8	<b>6</b>	<b>17</b>	0	<b>31</b>	3	<b>143</b>	47	<b>1</b>	<b>194</b>	25	3	<b>15</b>	2	<b>45</b>	<b>591</b>
08:15 AM	<b>26</b>	285	<b>7</b>	<b>2</b>	320	9	6	10	<b>4</b>	29	0	130	<b>54</b>	0	184	24	<b>4</b>	15	1	44	577
08:30 AM	23	289	3	2	317	7	2	7	1	17	3	99	31	0	133	19	2	13	2	36	503
08:45 AM	25	231	6	1	263	<b>10</b>	5	5	3	23	2	109	35	1	147	16	3	12	0	31	464
Total Volume	97	1098	21	5	1221	34	19	39	8	100	8	481	167	2	658	84	12	55	5	156	2135
% App. Total	7.9	89.9	1.7	0.4		34	19	39	8		1.2	73.1	25.4	0.3		53.8	7.7	35.3	3.2		
PHF	.933	.937	.750	.625	.951	.850	.792	.574	.500	.806	.667	.841	.773	.500	.848	.840	.750	.917	.625	.867	.903



# Sabra, Wang & Assoc, Inc

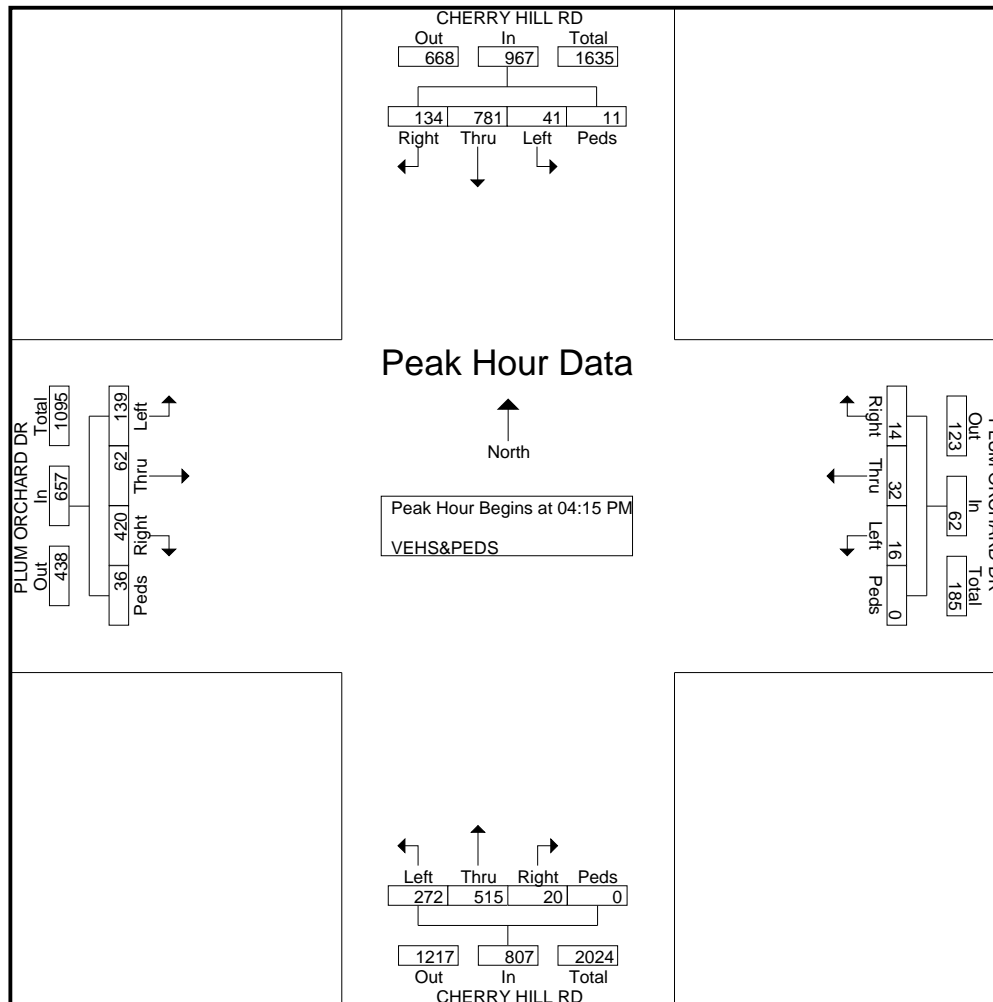
7055 Samuel Morse Dr, Suite 100  
Columbia, MD 21046  
443-741-3500

File Name : Cherry Hill Rd at Plum Orchard Dr  
Site Code : 00000000  
Start Date : 5/13/2015  
Page No : 4

Start Time	CHERRY HILL RD From North					PLUM ORCHARD DR From East					CHERRY HILL RD From South					PLUM ORCHARD DR From West					Int. Total
	Right	Thru	Left	Peds	App. Total	Right	Thru	Left	Peds	App. Total	Right	Thru	Left	Peds	App. Total	Right	Thru	Left	Peds	App. Total	
04:15 PM	30	179	16	2	227	5	9	4	0	18	5	133	70	0	208	102	16	32	4	154	607
04:30 PM	39	238	7	1	285	2	8	1	0	11	6	139	58	0	203	128	18	36	7	189	688
04:45 PM	28	178	11	1	218	5	7	6	0	18	2	142	79	0	223	106	16	22	0	144	603
05:00 PM	37	186	7	7	237	2	8	5	0	15	7	101	65	0	173	84	12	49	25	170	595
Total Volume	134	781	41	11	967	14	32	16	0	62	20	515	272	0	807	420	62	139	36	657	2493
% App. Total	13.9	80.8	4.2	1.1		22.6	51.6	25.8	0		2.5	63.8	33.7	0		63.9	9.4	21.2	5.5		
PHF	.859	.820	.641	.393	.848	.700	.889	.667	.000	.861	.714	.907	.861	.000	.905	.820	.861	.709	.360	.869	.906

Peak Hour Analysis From 12:00 PM to 06:45 PM - Peak 1 of 1

Peak Hour for Entire Intersection Begins at 04:15 PM



# Sabra, Wang & Assoc, Inc

7055 Samuel Morse Dr, Suite 100  
Columbia, MD 21046  
*443-741-3500*

Weather: SUNNY  
Counted By: HORACE  
Town: SILVER SPRING  
County: MONTGOMERY

File Name : Cherry Hill Rd at Plum Orchard Dr  
Site Code : 00000000  
Start Date : 5/13/2015  
Page No : 1

Groups Printed- BICYCLES

Start Time	CHERRY HILL RD From North					PLUM ORCHARD DR From East					CHERRY HILL RD From South					PLUM ORCHARD DR From West					Int. Total
	Right	Thru	Left	Peds	App. Total	Right	Thru	Left	Peds	App. Total	Right	Thru	Left	Peds	App. Total	Right	Thru	Left	Peds	App. Total	
**BREAK**																					
04:30 PM	0	0	0	0	0	0	0	0	0	0	0	2	0	0	2	0	0	0	0	0	2
**BREAK**																					
Total	0	0	0	0	0	0	0	0	0	0	0	2	0	0	2	0	0	0	0	0	2
**BREAK**																					
05:30 PM	0	0	0	0	0	0	0	0	0	0	0	1	0	0	1	0	0	0	0	0	1
**BREAK**																					
Total	0	0	0	0	0	0	0	0	0	0	0	1	0	0	1	0	0	0	0	0	1
**BREAK**																					
06:15 PM	0	1	0	0	1	0	0	0	0	0	0	0	0	0	0	0	0	0	0	0	1
**BREAK**																					
Total	0	1	0	0	1	0	0	0	0	0	0	0	0	0	0	0	0	0	0	0	1
Grand Total	0	1	0	0	1	0	0	0	0	0	0	3	0	0	3	0	0	0	0	0	4
Apprch %	0	100	0	0		0	0	0	0		0	100	0	0		0	0	0	0		
Total %	0	25	0	0	25	0	0	0	0	0	0	75	0	0	75	0	0	0	0	0	

# Sabra, Wang & Assoc, Inc

7055 Samuel Morse Dr, Suite 100  
Columbia, MD 21046

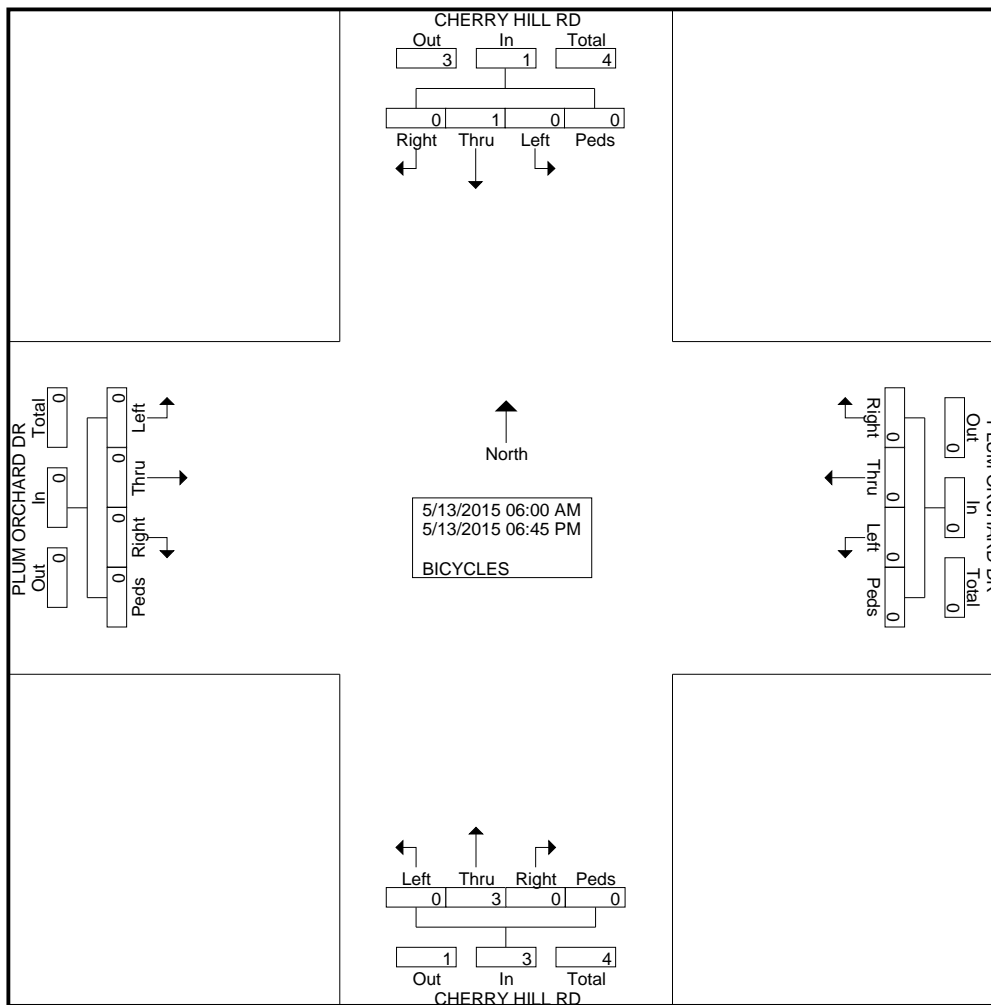
443-741-3500

File Name : Cherry Hill Rd at Plum Orchard Dr

Site Code : 00000000

Start Date : 5/13/2015

Page No : 2



# Sabra, Wang & Assoc, Inc

7055 Samuel Morse Dr, Suite 100  
Columbia, MD 21046

443-741-3500

File Name : Cherry Hill Rd at Plum Orchard Dr

Site Code : 00000000

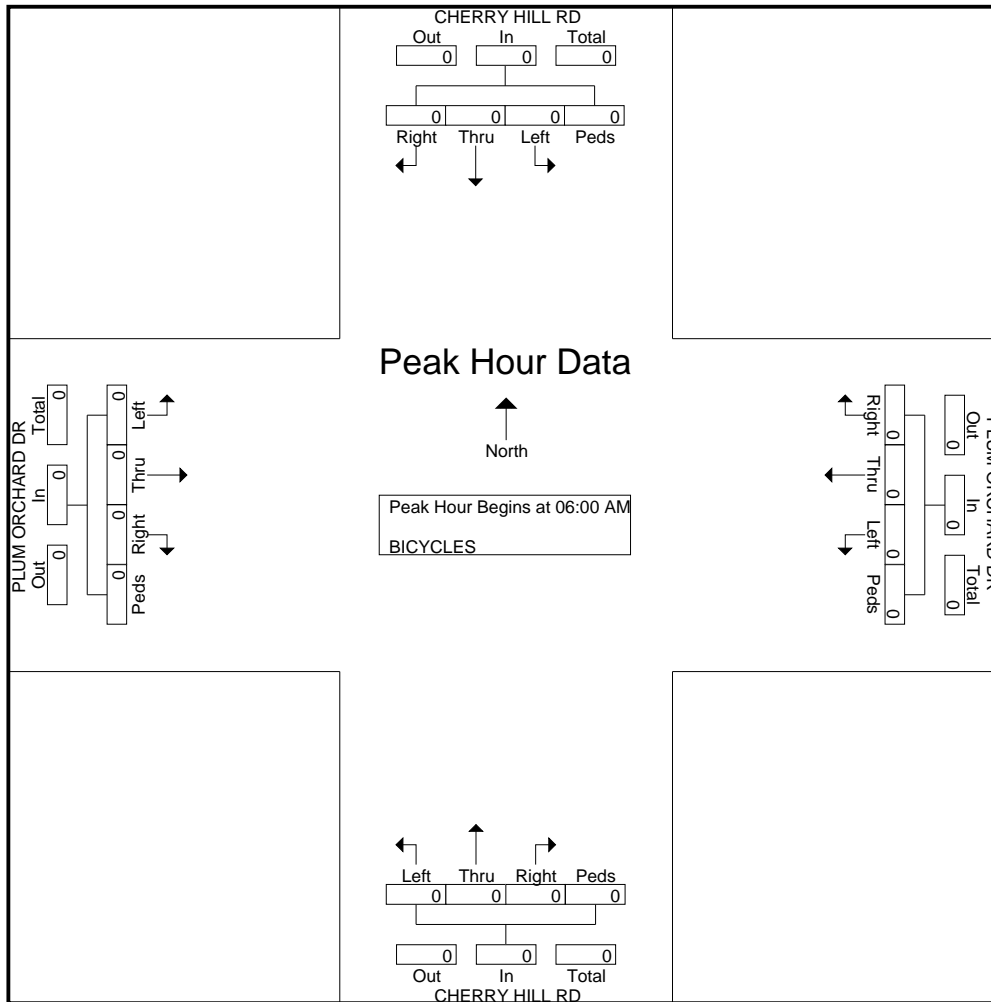
Start Date : 5/13/2015

Page No : 3

Start Time	CHERRY HILL RD From North					PLUM ORCHARD DR From East					CHERRY HILL RD From South					PLUM ORCHARD DR From West					Int. Total					
	Right	Thru	Left	Peds	App. Total	Right	Thru	Left	Peds	App. Total	Right	Thru	Left	Peds	App. Total	Right	Thru	Left	Peds	App. Total						
06:00 AM	0	0	0	0	0	0	0	0	0	0	0	0	0	0	0	0	0	0	0	0	0	0	0	0	0	0
06:15 AM	0	0	0	0	0	0	0	0	0	0	0	0	0	0	0	0	0	0	0	0	0	0	0	0	0	0
06:30 AM	0	0	0	0	0	0	0	0	0	0	0	0	0	0	0	0	0	0	0	0	0	0	0	0	0	0
06:45 AM	0	0	0	0	0	0	0	0	0	0	0	0	0	0	0	0	0	0	0	0	0	0	0	0	0	0
Total Volume	0	0	0	0	0	0	0	0	0	0	0	0	0	0	0	0	0	0	0	0	0	0	0	0	0	0
% App. Total	0	0	0	0	0	0	0	0	0	0	0	0	0	0	0	0	0	0	0	0	0	0	0	0	0	0
PHF	.000	.000	.000	.000	.000	.000	.000	.000	.000	.000	.000	.000	.000	.000	.000	.000	.000	.000	.000	.000	.000	.000	.000	.000	.000	

Peak Hour Analysis From 06:00 AM to 11:45 AM - Peak 1 of 1

Peak Hour for Entire Intersection Begins at 06:00 AM



# Sabra, Wang & Assoc, Inc

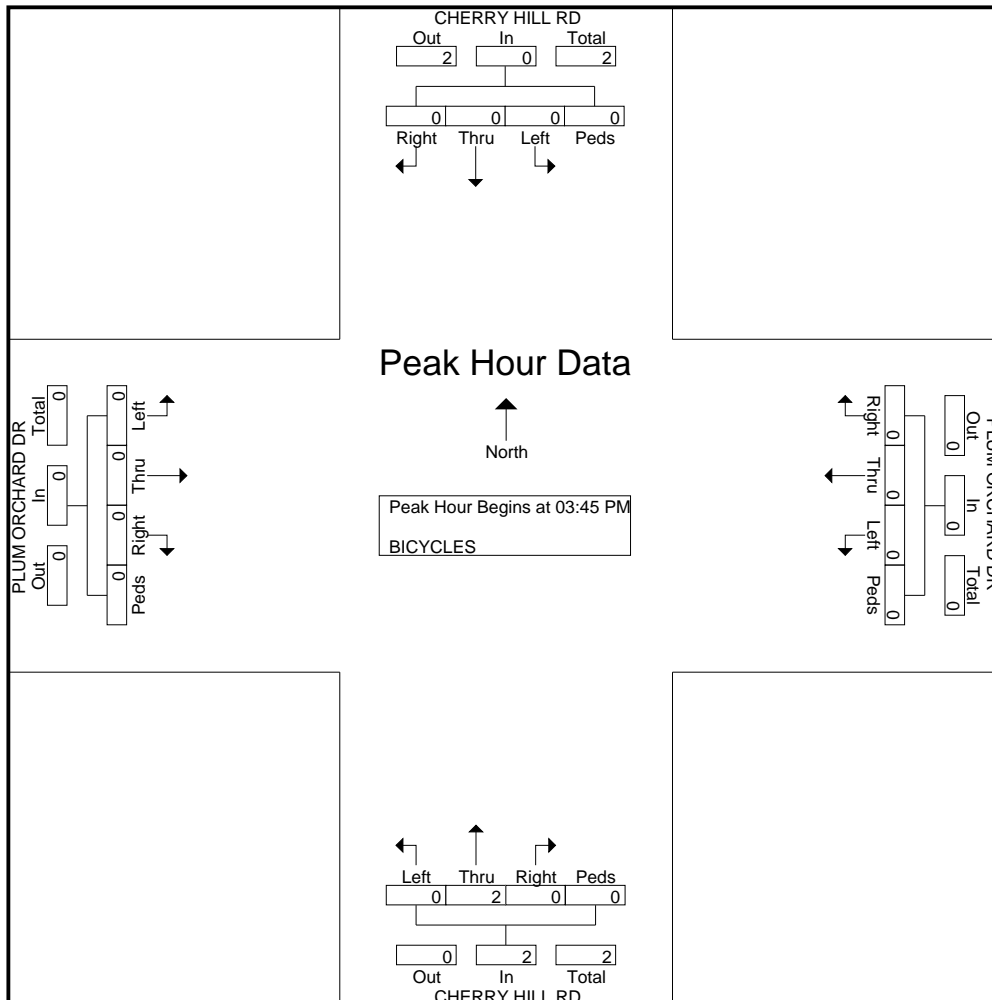
7055 Samuel Morse Dr, Suite 100  
Columbia, MD 21046  
443-741-3500

File Name : Cherry Hill Rd at Plum Orchard Dr  
Site Code : 00000000  
Start Date : 5/13/2015  
Page No : 4

Start Time	CHERRY HILL RD From North					PLUM ORCHARD DR From East					CHERRY HILL RD From South					PLUM ORCHARD DR From West					Int. Total
	Right	Thru	Left	Peds	App. Total	Right	Thru	Left	Peds	App. Total	Right	Thru	Left	Peds	App. Total	Right	Thru	Left	Peds	App. Total	
03:45 PM	0	0	0	0	0	0	0	0	0	0	0	0	0	0	0	0	0	0	0	0	0
04:00 PM	0	0	0	0	0	0	0	0	0	0	0	0	0	0	0	0	0	0	0	0	0
04:15 PM	0	0	0	0	0	0	0	0	0	0	0	0	0	0	0	0	0	0	0	0	0
04:30 PM	0	0	0	0	0	0	0	0	0	0	0	2	0	0	2	0	0	0	0	0	2
Total Volume	0	0	0	0	0	0	0	0	0	0	0	2	0	0	2	0	0	0	0	0	2
% App. Total	0	0	0	0	0	0	0	0	0	0	0	100	0	0	0	0	0	0	0	0	0
PHF	.000	.000	.000	.000	.000	.000	.000	.000	.000	.000	.000	.250	.000	.000	.250	.000	.000	.000	.000	.000	.250

Peak Hour Analysis From 12:00 PM to 06:45 PM - Peak 1 of 1

Peak Hour for Entire Intersection Begins at 03:45 PM





# Sabra, Wang & Assoc, Inc

7055 Samuel Morse Dr, Suite 100  
Columbia, MD 21046  
443-741-3500

Weather: SUNNY  
Counted By: VINNIE & ALDON  
Town: WHITE OAK  
County: MONTGOMERY

File Name : Lockwood Dr at White Oak Shopping Ctr  
Site Code : 00000000  
Start Date : 10/21/2015  
Page No : 1

Groups Printed- VEHS&PEDS

Start Time	WHITE OAK SHOPPING CENTER From North					LOCKWOOD DR From East					ENTRANCE TO 7-11 From South					LOCKWOOD DR From West					Int. Total
	Right	Thru	Left	Peds	App. Total	Right	Thru	Left	Peds	App. Total	Right	Thru	Left	Peds	App. Total	Right	Thru	Left	Peds	App. Total	
06:00 AM	6	0	0	0	6	1	88	4	0	93	0	0	6	0	6	2	10	3	0	15	120
06:15 AM	8	0	0	0	8	1	94	7	0	102	4	0	6	0	10	4	24	4	1	33	153
06:30 AM	11	0	0	0	11	4	135	6	5	150	3	0	8	2	13	9	20	5	2	36	210
06:45 AM	20	0	0	1	21	1	142	5	0	148	4	0	12	0	16	9	33	5	0	47	232
Total	45	0	0	1	46	7	459	22	5	493	11	0	32	2	45	24	87	17	3	131	715
07:00 AM	29	0	0	0	29	3	209	6	2	220	2	1	10	0	13	8	35	5	0	48	310
07:15 AM	33	0	0	0	33	2	208	3	0	213	5	0	13	1	19	3	28	10	0	41	306
07:30 AM	25	0	1	0	26	1	203	3	1	208	2	1	5	2	10	6	42	5	0	53	297
07:45 AM	35	0	0	1	36	0	224	2	1	227	3	2	4	0	9	6	25	12	0	43	315
Total	122	0	1	1	124	6	844	14	4	868	12	4	32	3	51	23	130	32	0	185	1228
08:00 AM	38	0	0	0	38	2	187	7	2	198	0	1	4	1	6	4	47	11	0	62	304
08:15 AM	21	0	1	3	25	2	161	4	0	167	4	4	4	2	14	3	55	11	1	70	276
08:30 AM	66	0	0	0	66	1	182	2	1	186	2	1	5	0	8	2	43	4	0	49	309
08:45 AM	18	0	0	4	22	1	148	4	0	153	0	0	7	2	9	2	65	14	2	83	267
Total	143	0	1	7	151	6	678	17	3	704	6	6	20	5	37	11	210	40	3	264	1156
09:00 AM	18	0	0	0	18	3	102	2	0	107	3	0	1	3	7	2	54	10	1	67	199
09:15 AM	31	0	1	3	35	1	117	1	3	122	3	0	4	2	9	8	48	30	3	89	255
09:30 AM	37	0	0	2	39	5	122	3	1	131	4	0	6	2	12	3	33	21	1	58	240
09:45 AM	22	0	0	0	22	3	114	4	4	125	2	0	0	3	5	4	50	18	4	76	228
Total	108	0	1	5	114	12	455	10	8	485	12	0	11	10	33	17	185	79	9	290	922
**BREAK**																					
04:00 PM	57	0	1	9	67	8	84	2	10	104	2	1	6	13	22	7	104	49	3	163	356
04:15 PM	48	0	2	2	52	6	82	0	0	88	5	1	4	3	13	3	87	47	2	139	292
04:30 PM	63	0	1	1	65	6	92	0	3	101	3	0	2	5	10	3	93	38	1	135	311
04:45 PM	46	0	1	7	54	7	78	0	3	88	1	0	4	2	7	4	107	54	2	167	316
Total	214	0	5	19	238	27	336	2	16	381	11	2	16	23	52	17	391	188	8	604	1275
05:00 PM	75	0	1	4	80	1	83	1	4	89	4	0	2	6	12	5	92	42	0	139	320
05:15 PM	39	0	2	0	41	0	103	2	7	112	5	1	5	2	13	9	86	60	8	163	329
05:30 PM	101	0	1	2	104	3	134	0	1	138	3	1	5	1	10	9	107	44	4	164	416

# Sabra, Wang & Assoc, Inc

7055 Samuel Morse Dr, Suite 100  
Columbia, MD 21046

443-741-3500

File Name : Lockwood Dr at White Oak Shopping Ctr

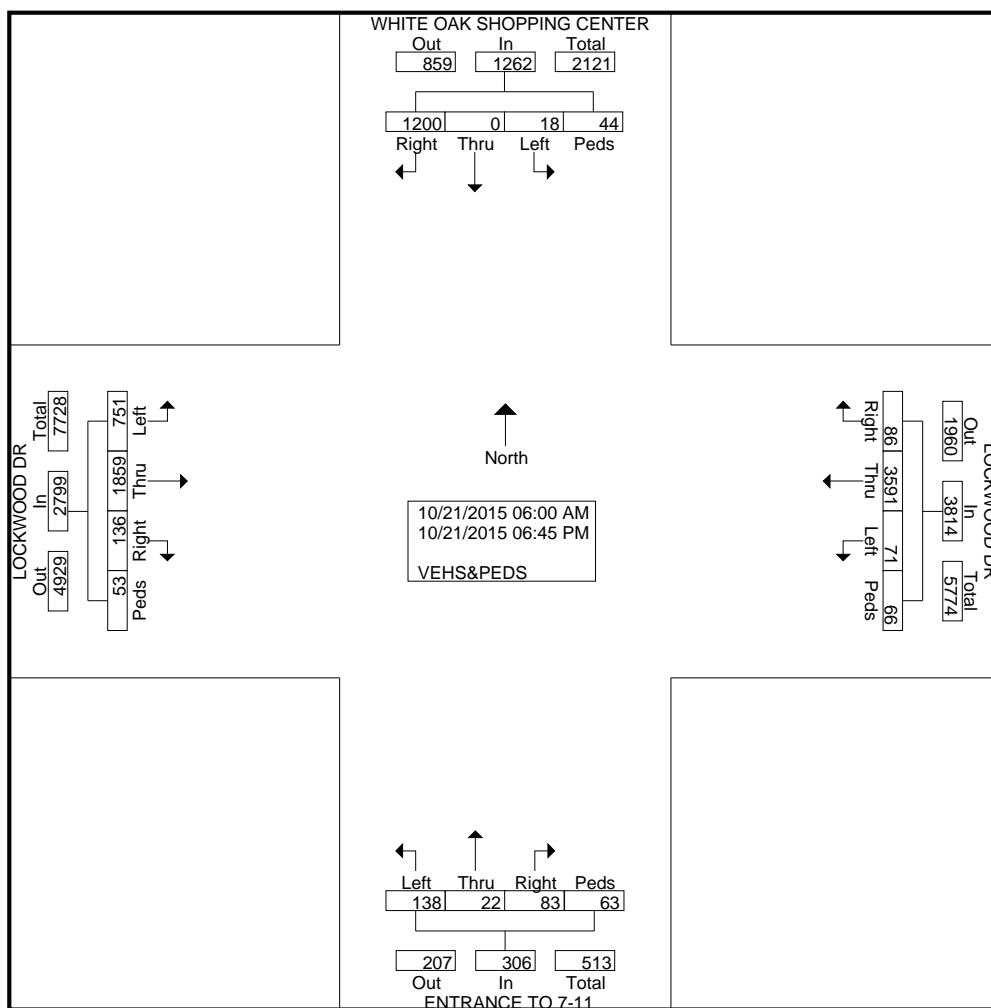
Site Code : 00000000

Start Date : 10/21/2015

Page No : 2

Groups Printed- VEHS&PEDS

Start Time	WHITE OAK SHOPPING CENTER From North					LOCKWOOD DR From East					ENTRANCE TO 7-11 From South					LOCKWOOD DR From West					Int. Total
	Right	Thru	Left	Peds	App. Total	Right	Thru	Left	Peds	App. Total	Right	Thru	Left	Peds	App. Total	Right	Thru	Left	Peds	App. Total	
05:45 PM	71	0	1	0	72	2	101	0	4	107	3	1	3	0	7	3	121	45	0	169	355
Total	286	0	5	6	297	6	421	3	16	446	15	3	15	9	42	26	406	191	12	635	1420
06:00 PM	70	0	1	1	72	3	109	1	1	114	3	2	3	8	16	6	103	51	1	161	363
06:15 PM	61	0	1	0	62	1	101	0	2	104	4	2	2	1	9	3	138	60	1	202	377
06:30 PM	74	0	2	0	76	5	77	0	3	85	3	2	5	0	10	2	110	49	3	164	335
06:45 PM	77	0	1	4	82	13	111	2	8	134	6	1	2	2	11	7	99	44	13	163	390
Total	282	0	5	5	292	22	398	3	14	437	16	7	12	11	46	18	450	204	18	690	1465
Grand Total	1200	0	18	44	1262	86	3591	71	66	3814	83	22	138	63	306	136	1859	751	53	2799	8181
Apprch %	95.1	0	1.4	3.5		2.3	94.2	1.9	1.7		27.1	7.2	45.1	20.6		4.9	66.4	26.8	1.9		
Total %	14.7	0	0.2	0.5	15.4	1.1	43.9	0.9	0.8	46.6	1	0.3	1.7	0.8	3.7	1.7	22.7	9.2	0.6	34.2	



# Sabra, Wang & Assoc, Inc

7055 Samuel Morse Dr, Suite 100  
Columbia, MD 21046

443-741-3500

File Name : Lockwood Dr at White Oak Shopping Ctr

Site Code : 00000000

Start Date : 10/21/2015

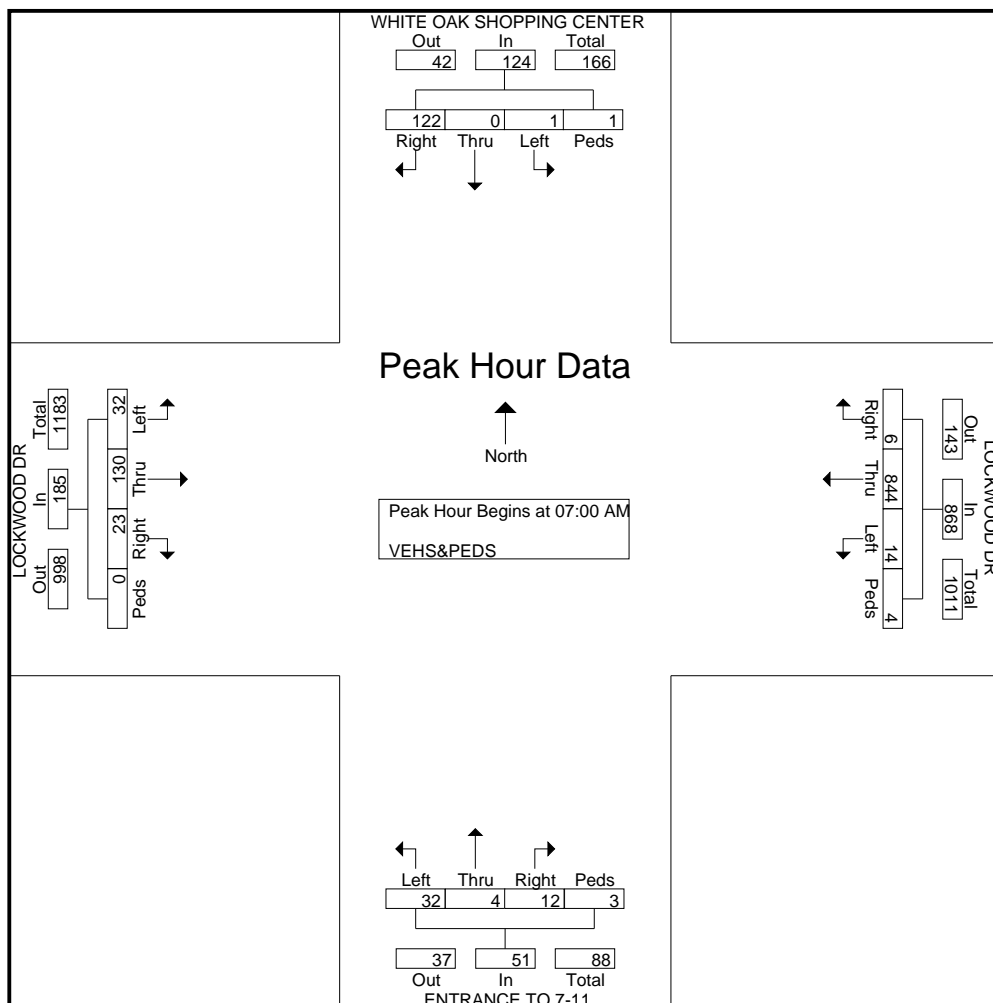
Page No : 3

Start Time	WHITE OAK SHOPPING CENTER From North					LOCKWOOD DR From East					ENTRANCE TO 7-11 From South					LOCKWOOD DR From West					Int. Total
	Right	Thru	Left	Peds	App. Total	Right	Thru	Left	Peds	App. Total	Right	Thru	Left	Peds	App. Total	Right	Thru	Left	Peds	App. Total	

Peak Hour Analysis From 06:00 AM to 11:45 AM - Peak 1 of 1

Peak Hour for Entire Intersection Begins at 07:00 AM

07:00 AM	29	0	0	0	29	3	209	6	2	220	2	1	10	0	13	8	35	5	0	48	310
07:15 AM	33	0	0	0	33	2	208	3	0	213	5	0	13	1	19	3	28	10	0	41	306
07:30 AM	25	0	1	0	26	1	203	3	1	208	2	1	5	2	10	6	42	5	0	53	297
07:45 AM	35	0	0	1	36	0	224	2	1	227	3	2	4	0	9	6	25	12	0	43	315
Total Volume	122	0	1	1	124	6	844	14	4	868	12	4	32	3	51	23	130	32	0	185	1228
% App. Total	98.4	0	0.8	0.8		0.7	97.2	1.6	0.5		23.5	7.8	62.7	5.9		12.4	70.3	17.3	0		
PHF	.871	.000	.250	.250	.861	.500	.942	.583	.500	.956	.600	.500	.615	.375	.671	.719	.774	.667	.000	.873	.975



# Sabra, Wang & Assoc, Inc

7055 Samuel Morse Dr, Suite 100  
Columbia, MD 21046

443-741-3500

File Name : Lockwood Dr at White Oak Shopping Ctr

Site Code : 00000000

Start Date : 10/21/2015

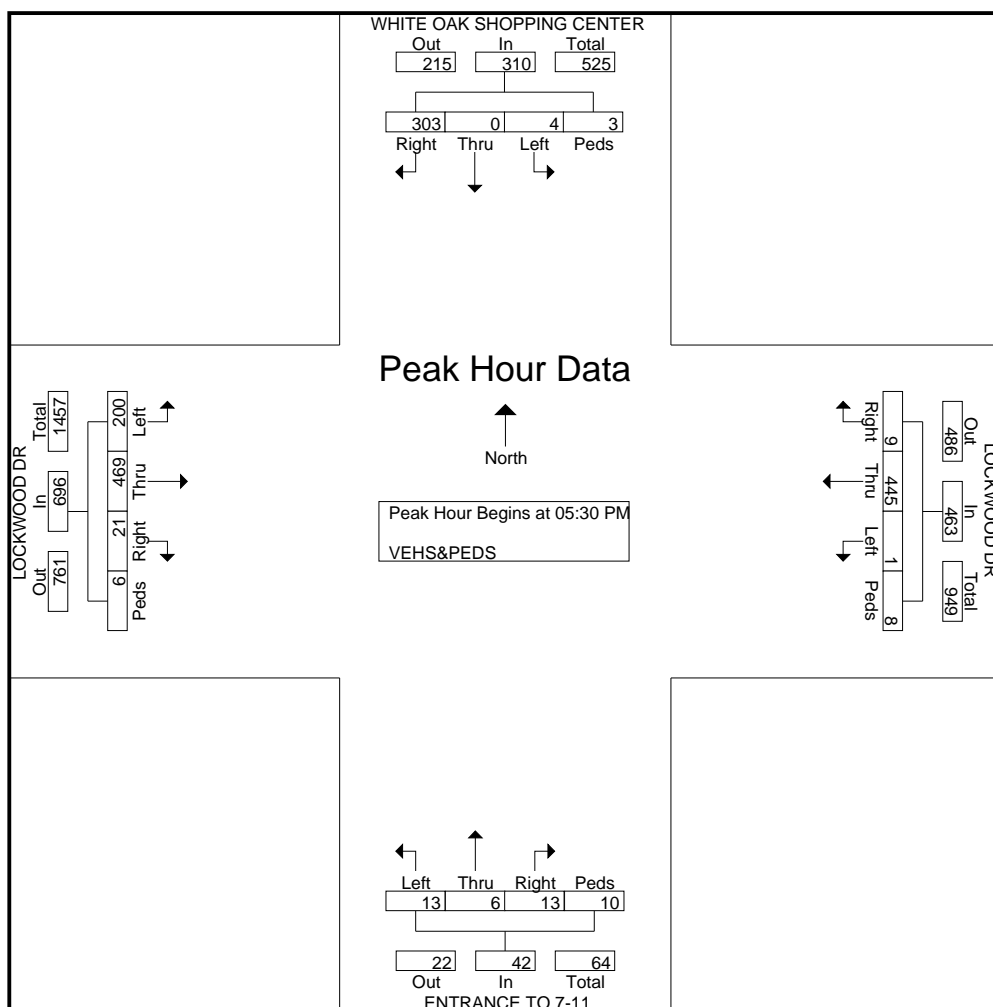
Page No : 4

Start Time	WHITE OAK SHOPPING CENTER From North					LOCKWOOD DR From East					ENTRANCE TO 7-11 From South					LOCKWOOD DR From West					Int. Total
	Right	Thru	Left	Peds	App. Total	Right	Thru	Left	Peds	App. Total	Right	Thru	Left	Peds	App. Total	Right	Thru	Left	Peds	App. Total	

Peak Hour Analysis From 12:00 PM to 06:45 PM - Peak 1 of 1

Peak Hour for Entire Intersection Begins at 05:30 PM

05:30 PM	101	0	1	2	104	3	134	0	1	138	3	1	5	1	10	9	107	44	4	164	416
05:45 PM	71	0	1	0	72	2	101	0	4	107	3	1	3	0	7	3	121	45	0	169	355
06:00 PM	70	0	1	1	72	3	109	1	1	114	3	2	3	8	16	6	103	51	1	161	363
06:15 PM	61	0	1	0	62	1	101	0	2	104	4	2	2	1	9	3	138	60	1	202	377
Total Volume	303	0	4	3	310	9	445	1	8	463	13	6	13	10	42	21	469	200	6	696	1511
% App. Total	97.7	0	1.3	1		1.9	96.1	0.2	1.7		31	14.3	31	23.8		3	67.4	28.7	0.9		
PHF	.750	.000	1.00	.375	.745	.750	.830	.250	.500	.839	.813	.750	.650	.313	.656	.583	.850	.833	.375	.861	.908



# Sabra, Wang & Assoc, Inc

7055 Samuel Morse Dr, Suite 100  
Columbia, MD 21046  
443-741-3500

Weather: SUNNY  
Counted By: VINNIE & ALDON  
Town: WHITE OAK  
County: MONTGOMERY

File Name : Lockwood Dr at White Oak Shopping Ctr  
Site Code : 00000000  
Start Date : 10/21/2015  
Page No : 1

## Groups Printed- UTurns

Start Time	WHITE OAK SHOPPING CENTER From North					LOCKWOOD DR From East					ENTRANCE TO 7-11 From South					LOCKWOOD DR From West					Int. Total
	Right	Thru	Left	Peds	App. Total	Right	Thru	Left	Peds	App. Total	Right	Thru	Left	Peds	App. Total	Right	Thru	Left	Peds	App. Total	
06:00 AM	0	0	0	0	0	0	0	0	0	0	0	0	1	0	1	0	0	0	0	0	1
06:15 AM	0	0	0	0	0	0	0	0	0	0	0	0	0	0	0	0	0	3	0	3	3
06:30 AM	0	0	0	0	0	0	0	0	0	0	0	0	0	0	0	0	0	1	0	1	1
06:45 AM	0	0	0	0	0	0	0	0	0	0	0	0	0	0	0	0	0	1	0	1	1
Total	0	0	0	0	0	0	0	0	0	0	0	0	1	0	1	0	0	5	0	5	6
**BREAK**																					
07:15 AM	0	0	0	0	0	0	0	0	0	0	0	0	1	0	1	0	0	5	0	5	6
07:30 AM	0	0	0	0	0	0	0	0	0	0	0	0	0	0	0	0	0	3	0	3	3
**BREAK**																					
Total	0	0	0	0	0	0	0	0	0	0	0	0	1	0	1	0	0	8	0	8	9
08:00 AM	0	0	0	0	0	0	0	0	0	0	0	0	0	0	0	0	0	2	0	2	2
**BREAK**																					
08:30 AM	0	0	0	0	0	0	0	0	0	0	0	0	0	0	0	0	0	1	0	1	1
**BREAK**																					
Total	0	0	0	0	0	0	0	0	0	0	0	0	0	0	0	0	0	3	0	3	3
09:00 AM	0	0	0	0	0	0	0	0	0	0	0	0	0	0	0	0	0	1	0	1	1
**BREAK**																					
09:30 AM	0	0	0	0	0	0	0	0	0	0	0	0	0	0	0	0	0	1	0	1	1
09:45 AM	0	0	0	0	0	0	0	0	0	0	0	0	0	0	0	0	0	1	0	1	1
Total	0	0	0	0	0	0	0	0	0	0	0	0	0	0	0	0	0	3	0	3	3
**BREAK**																					
04:00 PM	0	0	0	0	0	0	0	1	0	1	0	0	0	0	0	0	0	4	0	4	5
04:15 PM	0	0	0	0	0	0	0	0	0	0	0	0	0	0	0	0	0	3	0	3	3
04:30 PM	0	0	0	0	0	0	0	0	0	0	0	0	0	0	0	0	0	3	0	3	3
04:45 PM	0	0	0	0	0	0	0	0	0	0	0	0	2	0	2	0	0	5	0	5	7
Total	0	0	0	0	0	0	0	1	0	1	0	0	2	0	2	0	0	15	0	15	18
05:00 PM	0	0	0	0	0	0	0	0	0	0	0	0	0	0	0	0	0	6	0	6	6
05:15 PM	0	0	0	0	0	0	0	0	0	0	0	0	0	0	0	0	0	4	0	4	4
05:30 PM	0	0	0	0	0	0	0	0	0	0	0	0	0	0	0	0	0	3	0	3	3
05:45 PM	0	0	0	0	0	0	0	0	0	0	0	0	0	0	0	0	0	1	0	1	1
Total	0	0	0	0	0	0	0	0	0	0	0	0	0	0	0	0	0	14	0	14	14

# Sabra, Wang & Assoc, Inc

7055 Samuel Morse Dr, Suite 100  
Columbia, MD 21046

443-741-3500

File Name : Lockwood Dr at White Oak Shopping Ctr

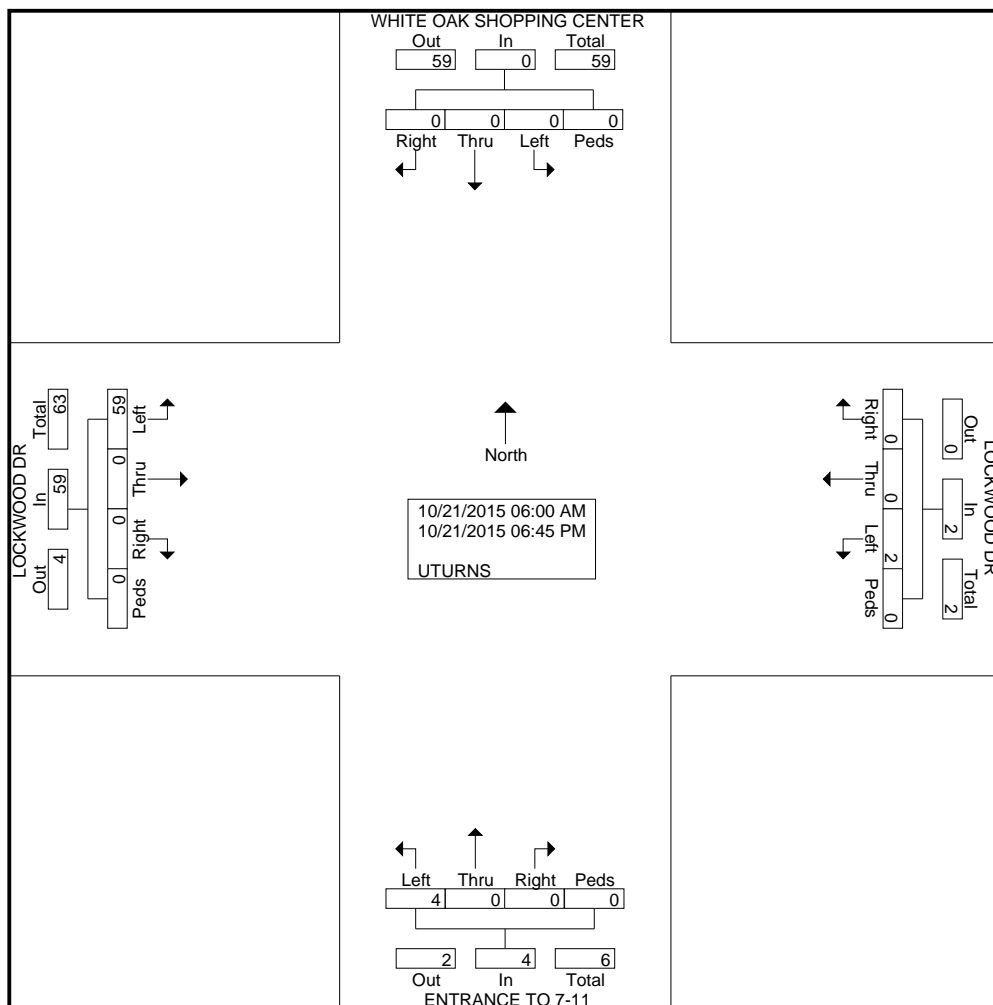
Site Code : 00000000

Start Date : 10/21/2015

Page No : 2

Groups Printed- UTurns

Start Time	WHITE OAK SHOPPING CENTER From North					LOCKWOOD DR From East					ENTRANCE TO 7-11 From South					LOCKWOOD DR From West					Int. Total
	Right	Thru	Left	Peds	App. Total	Right	Thru	Left	Peds	App. Total	Right	Thru	Left	Peds	App. Total	Right	Thru	Left	Peds	App. Total	
06:00 PM	0	0	0	0	0	0	0	0	0	0	0	0	0	0	0	0	0	7	0	7	7
06:15 PM	0	0	0	0	0	0	0	0	0	0	0	0	0	0	0	0	0	2	0	2	2
**BREAK**																					
06:45 PM	0	0	0	0	0	0	0	1	0	1	0	0	0	0	0	0	0	2	0	2	3
Total	0	0	0	0	0	0	0	1	0	1	0	0	0	0	0	0	0	11	0	11	12
Grand Total	0	0	0	0	0	0	0	2	0	2	0	0	4	0	4	0	0	59	0	59	65
Apprch %	0	0	0	0		0	0	100	0		0	0	100	0		0	0	100	0		
Total %	0	0	0	0	0	0	0	3.1	0	3.1	0	0	6.2	0	6.2	0	0	90.8	0	90.8	



# Sabra, Wang & Assoc, Inc

7055 Samuel Morse Dr, Suite 100  
Columbia, MD 21046

443-741-3500

File Name : Lockwood Dr at White Oak Shopping Ctr

Site Code : 00000000

Start Date : 10/21/2015

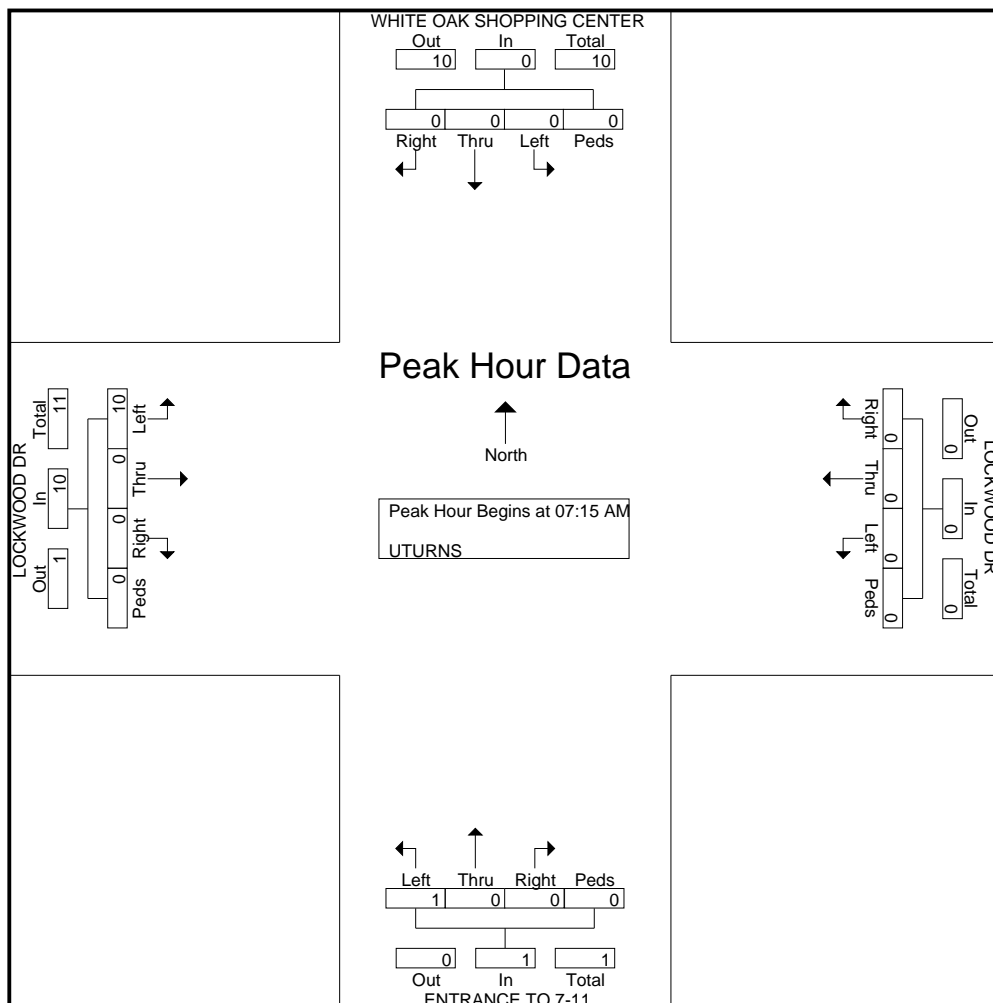
Page No : 3

Start Time	WHITE OAK SHOPPING CENTER From North					LOCKWOOD DR From East					ENTRANCE TO 7-11 From South					LOCKWOOD DR From West					Int. Total
	Right	Thru	Left	Peds	App. Total	Right	Thru	Left	Peds	App. Total	Right	Thru	Left	Peds	App. Total	Right	Thru	Left	Peds	App. Total	

Peak Hour Analysis From 06:00 AM to 11:45 AM - Peak 1 of 1

Peak Hour for Entire Intersection Begins at 07:15 AM

07:15 AM	0	0	0	0	0	0	0	0	0	0	0	0	1	0	1	0	0	5	0	5	6
07:30 AM	0	0	0	0	0	0	0	0	0	0	0	0	0	0	0	0	0	3	0	3	3
07:45 AM	0	0	0	0	0	0	0	0	0	0	0	0	0	0	0	0	0	0	0	0	0
08:00 AM	0	0	0	0	0	0	0	0	0	0	0	0	0	0	0	0	0	2	0	2	2
Total Volume	0	0	0	0	0	0	0	0	0	0	0	0	1	0	1	0	0	10	0	10	11
% App. Total	0	0	0	0	0	0	0	0	0	0	0	0	100	0	0	0	0	100	0	0	
PHF	.000	.000	.000	.000	.000	.000	.000	.000	.000	.000	.000	.000	.250	.000	.250	.000	.000	.500	.000	.500	.458



# Sabra, Wang & Assoc, Inc

7055 Samuel Morse Dr, Suite 100  
Columbia, MD 21046

443-741-3500

File Name : Lockwood Dr at White Oak Shopping Ctr

Site Code : 00000000

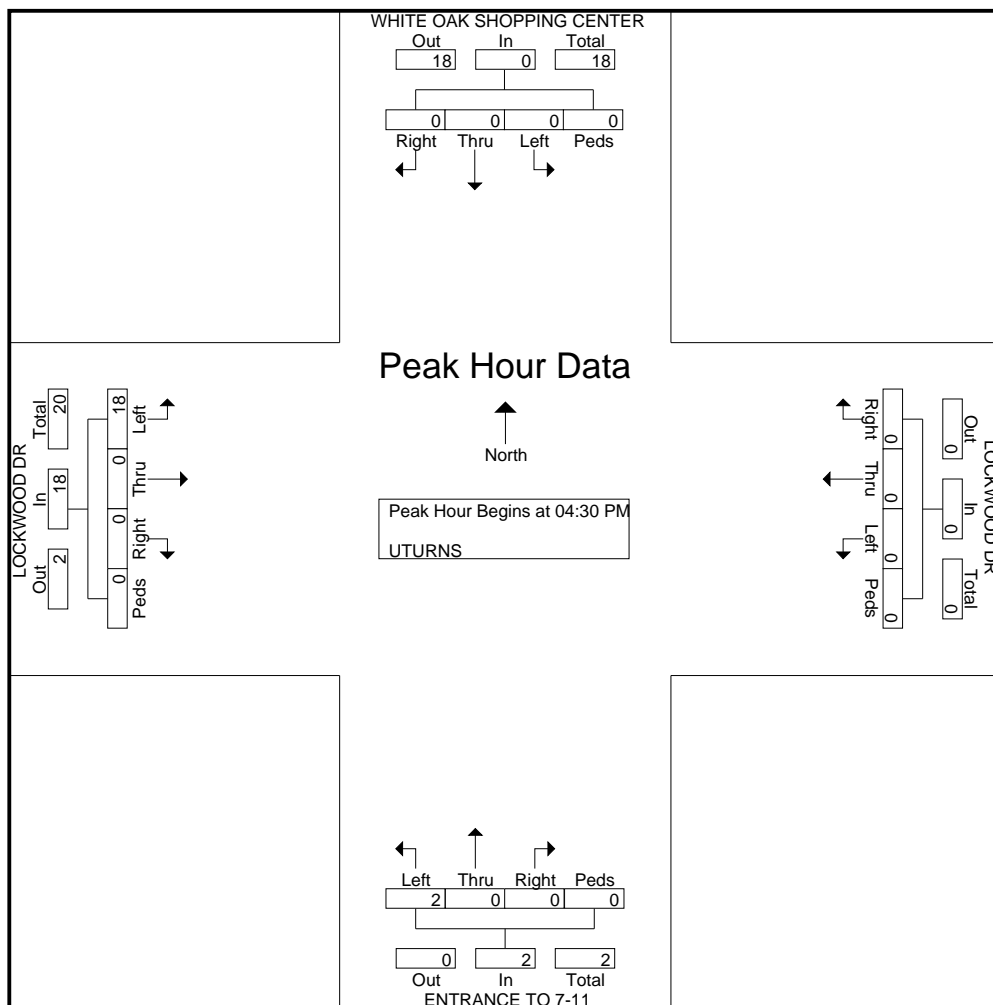
Start Date : 10/21/2015

Page No : 4

Start Time	WHITE OAK SHOPPING CENTER From North					LOCKWOOD DR From East					ENTRANCE TO 7-11 From South					LOCKWOOD DR From West					Int. Total
	Right	Thru	Left	Peds	App. Total	Right	Thru	Left	Peds	App. Total	Right	Thru	Left	Peds	App. Total	Right	Thru	Left	Peds	App. Total	
04:30 PM	0	0	0	0	0	0	0	0	0	0	0	0	0	0	0	0	0	3	0	3	3
04:45 PM	0	0	0	0	0	0	0	0	0	0	0	0	2	0	2	0	0	5	0	5	7
05:00 PM	0	0	0	0	0	0	0	0	0	0	0	0	0	0	0	0	0	6	0	6	6
05:15 PM	0	0	0	0	0	0	0	0	0	0	0	0	0	0	0	0	0	4	0	4	4
Total Volume	0	0	0	0	0	0	0	0	0	0	0	0	2	0	2	0	0	18	0	18	20
% App. Total	0	0	0	0	0	0	0	0	0	0	0	0	100	0	0	0	0	100	0	0	
PHF	.000	.000	.000	.000	.000	.000	.000	.000	.000	.000	.000	.000	.250	.000	.250	.000	.000	.750	.000	.750	.714

Peak Hour Analysis From 12:00 PM to 06:45 PM - Peak 1 of 1

Peak Hour for Entire Intersection Begins at 04:30 PM





# Sabra, Wang & Assoc, Inc

7055 Samuel Morse Dr, Suite 100  
Columbia, MD 21046  
443-741-3500

Weather: SUNNY  
Counted By: VINNIE & ALDON  
Town: WHITE OAK  
County: MONTGOMERY

File Name : Lockwood Dr at White Oak Shopping Ctr  
Site Code : 00000000  
Start Date : 10/21/2015  
Page No : 1

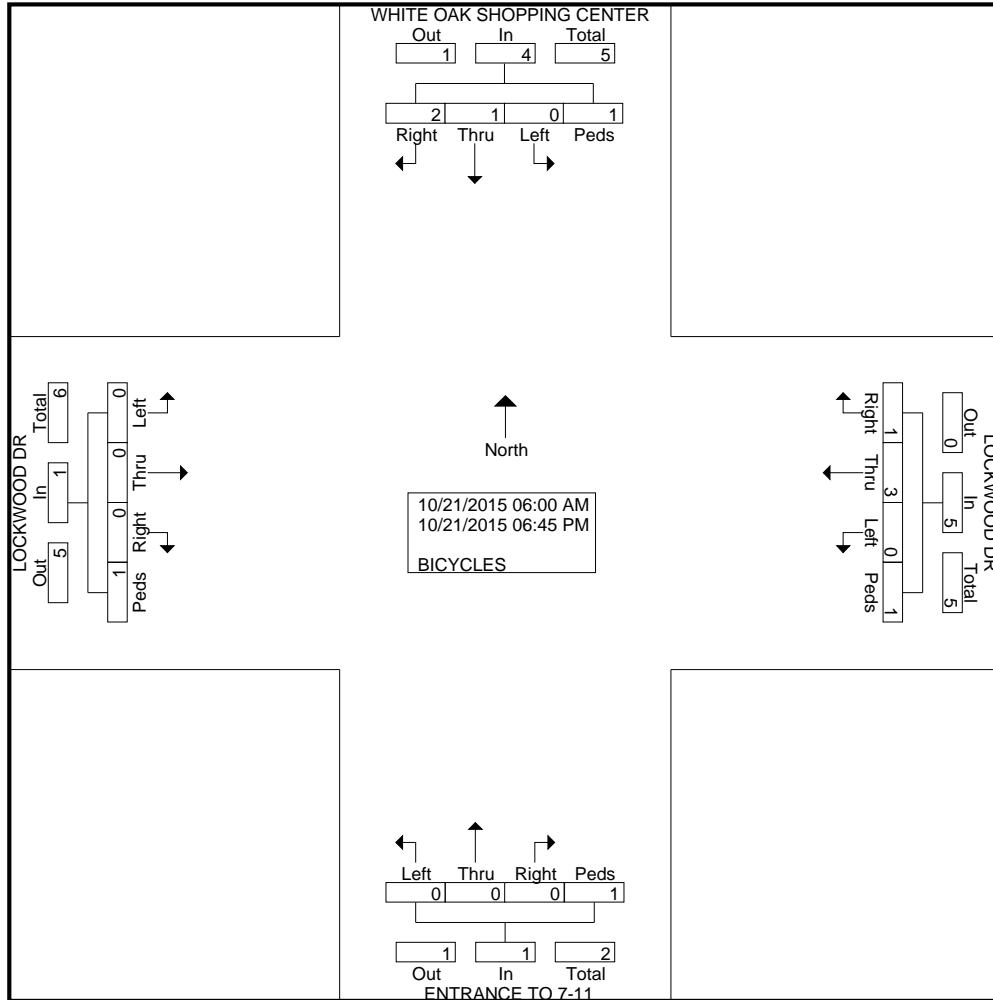
## Groups Printed- BICYCLES

Start Time	WHITE OAK SHOPPING CENTER From North					LOCKWOOD DR From East					ENTRANCE TO 7-11 From South					LOCKWOOD DR From West					Int. Total
	Right	Thru	Left	Peds	App. Total	Right	Thru	Left	Peds	App. Total	Right	Thru	Left	Peds	App. Total	Right	Thru	Left	Peds	App. Total	
**BREAK**																					
06:45 AM	0	0	0	0	0	0	0	0	0	0	0	0	0	1	1	0	0	0	0	0	1
Total	0	0	0	0	0	0	0	0	0	0	0	0	0	1	1	0	0	0	0	0	1
**BREAK**																					
07:15 AM	0	0	0	0	0	0	1	0	0	1	0	0	0	0	0	0	0	0	0	0	1
**BREAK**																					
07:45 AM	0	0	0	0	0	0	2	0	0	2	0	0	0	0	0	0	0	0	0	0	2
Total	0	0	0	0	0	0	3	0	0	3	0	0	0	0	0	0	0	0	0	0	3
08:00 AM	1	0	0	0	1	0	0	0	0	0	0	0	0	0	0	0	0	0	0	0	1
**BREAK**																					
Total	1	0	0	0	1	0	0	0	0	0	0	0	0	0	0	0	0	0	0	0	1
**BREAK**																					
04:45 PM	0	0	0	0	0	0	0	0	0	0	0	0	0	0	0	0	0	0	1	1	1
Total	0	0	0	0	0	0	0	0	0	0	0	0	0	0	0	0	0	0	1	1	1
05:00 PM	0	1	0	0	1	0	0	0	0	0	0	0	0	0	0	0	0	0	0	0	1
05:15 PM	0	0	0	1	1	0	0	0	0	0	0	0	0	0	0	0	0	0	0	0	1
05:30 PM	0	0	0	0	0	0	0	0	1	1	0	0	0	0	0	0	0	0	0	0	1
**BREAK**																					
Total	0	1	0	1	2	0	0	0	1	1	0	0	0	0	0	0	0	0	0	0	3
**BREAK**																					
06:30 PM	1	0	0	0	1	0	0	0	0	0	0	0	0	0	0	0	0	0	0	0	1
06:45 PM	0	0	0	0	0	1	0	0	0	1	0	0	0	0	0	0	0	0	0	0	1
Total	1	0	0	0	1	1	0	0	0	1	0	0	0	0	0	0	0	0	0	0	2
Grand Total	2	1	0	1	4	1	3	0	1	5	0	0	0	1	1	0	0	0	1	1	11
Apprch %	50	25	0	25		20	60	0	20		0	0	0	100		0	0	0	100		
Total %	18.2	9.1	0	9.1	36.4	9.1	27.3	0	9.1	45.5	0	0	0	9.1	9.1	0	0	0	9.1	9.1	

# Sabra, Wang & Assoc, Inc

7055 Samuel Morse Dr, Suite 100  
 Columbia, MD 21046  
 443-741-3500

File Name : Lockwood Dr at White Oak Shopping Ctr  
 Site Code : 00000000  
 Start Date : 10/21/2015  
 Page No : 2



# Sabra, Wang & Assoc, Inc

7055 Samuel Morse Dr, Suite 100  
Columbia, MD 21046

443-741-3500

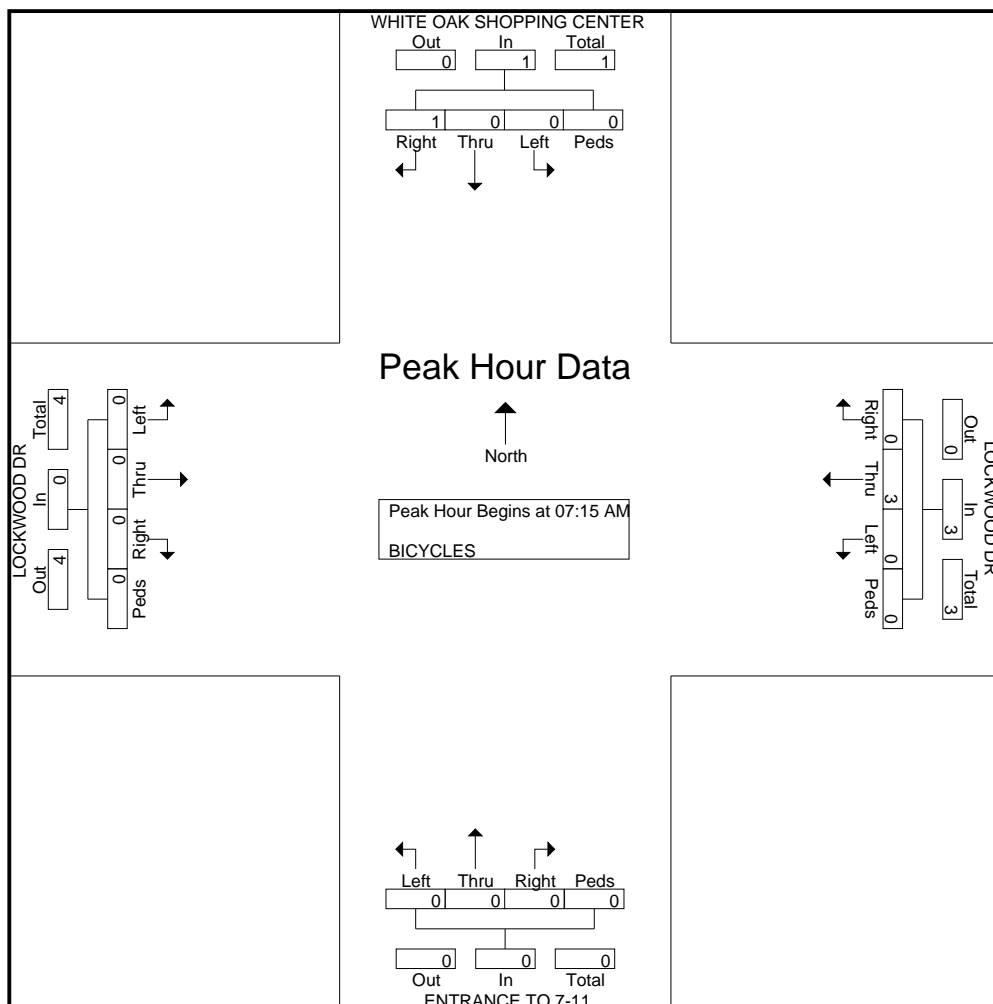
File Name : Lockwood Dr at White Oak Shopping Ctr

Site Code : 00000000

Start Date : 10/21/2015

Page No : 3

Start Time	WHITE OAK SHOPPING CENTER From North					LOCKWOOD DR From East					ENTRANCE TO 7-11 From South					LOCKWOOD DR From West					Int. Total	
	Right	Thru	Left	Peds	App. Total	Right	Thru	Left	Peds	App. Total	Right	Thru	Left	Peds	App. Total	Right	Thru	Left	Peds	App. Total		
Peak Hour Analysis From 06:00 AM to 11:45 AM - Peak 1 of 1																						
Peak Hour for Entire Intersection Begins at 07:15 AM																						
07:15 AM	0	0	0	0	0	0	1	0	0	1	0	0	0	0	0	0	0	0	0	0	0	1
07:30 AM	0	0	0	0	0	0	0	0	0	0	0	0	0	0	0	0	0	0	0	0	0	0
07:45 AM	0	0	0	0	0	0	2	0	0	2	0	0	0	0	0	0	0	0	0	0	0	2
08:00 AM	1	0	0	0	1	0	0	0	0	0	0	0	0	0	0	0	0	0	0	0	0	1
Total Volume	1	0	0	0	1	0	3	0	0	3	0	0	0	0	0	0	0	0	0	0	0	4
% App. Total	100	0	0	0		0	100	0	0		0	0	0	0		0	0	0	0	0		
PHF	.250	.000	.000	.000	.250	.000	.375	.000	.000	.375	.000	.000	.000	.000	.000	.000	.000	.000	.000	.000	.000	.500



# Sabra, Wang & Assoc, Inc

7055 Samuel Morse Dr, Suite 100  
Columbia, MD 21046

443-741-3500

File Name : Lockwood Dr at White Oak Shopping Ctr

Site Code : 00000000

Start Date : 10/21/2015

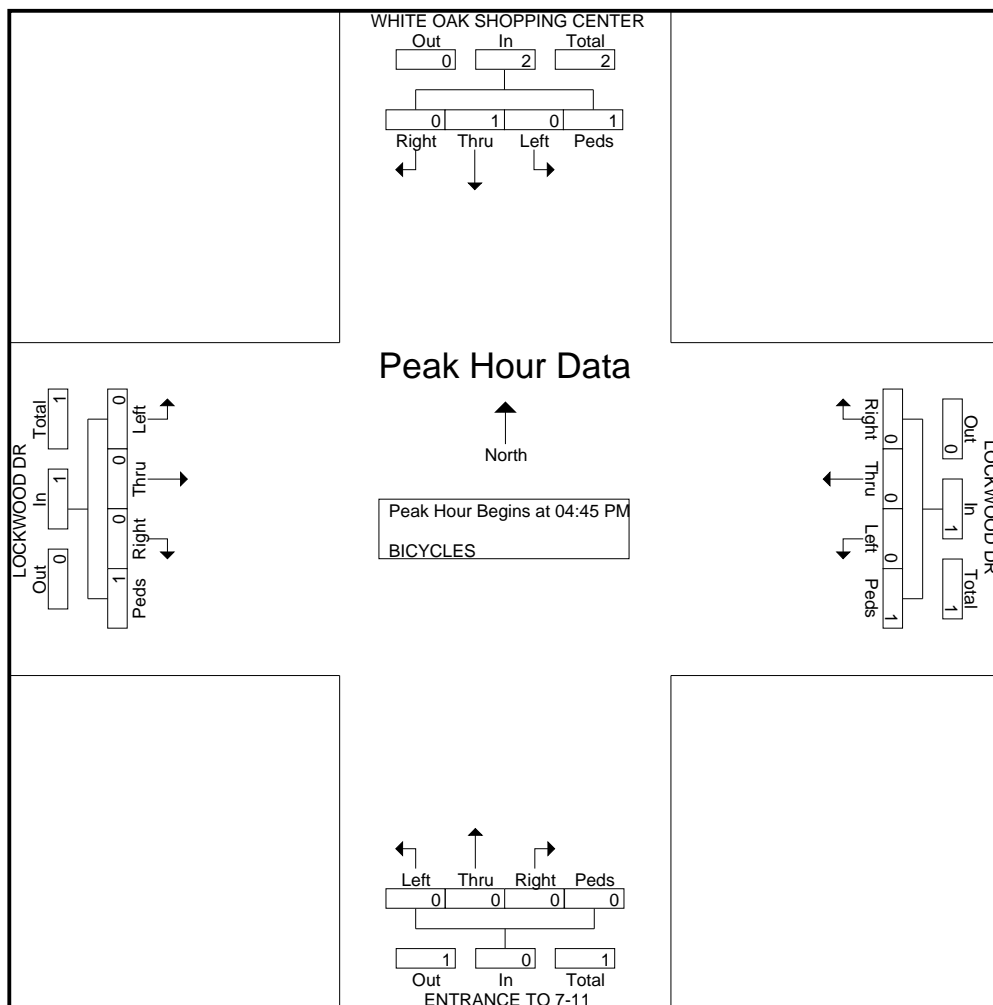
Page No : 4

Start Time	WHITE OAK SHOPPING CENTER From North					LOCKWOOD DR From East					ENTRANCE TO 7-11 From South					LOCKWOOD DR From West					Int. Total
	Right	Thru	Left	Peds	App. Total	Right	Thru	Left	Peds	App. Total	Right	Thru	Left	Peds	App. Total	Right	Thru	Left	Peds	App. Total	

Peak Hour Analysis From 12:00 PM to 06:45 PM - Peak 1 of 1

Peak Hour for Entire Intersection Begins at 04:45 PM

04:45 PM	0	0	0	0	0	0	0	0	0	0	0	0	0	0	0	0	0	0	1	1	1
05:00 PM	0	1	0	0	1	0	0	0	0	0	0	0	0	0	0	0	0	0	0	0	0
05:15 PM	0	0	0	1	1	0	0	0	0	0	0	0	0	0	0	0	0	0	0	0	0
05:30 PM	0	0	0	0	0	0	0	0	1	1	0	0	0	0	0	0	0	0	0	0	0
Total Volume	0	1	0	1	2	0	0	0	1	1	0	0	0	0	0	0	0	0	1	1	4
% App. Total	0	50	0	50		0	0	0	100		0	0	0	0		0	0	0	100		
PHF	.000	.250	.000	.250	.500	.000	.000	.000	.250	.250	.000	.000	.000	.000	.000	.000	.000	.000	.250	.250	1.00



# Sabra, Wang & Assoc, Inc

7055 Samuel Morse Dr, Suite 100  
Columbia, MD 21046  
443-741-3500

Weather: SUNNY  
Counted By: VINNIE & ALDON  
Town: WHITE OAK  
County: MONTGOMERY

File Name : Lockwood Dr at White Oak Shopping Ctr  
Site Code : 00000000  
Start Date : 10/21/2015  
Page No : 1

Groups Printed- SCHOOL CHILDREN

Start Time	WHITE OAK SHOPPING CENTER From North					LOCKWOOD DR From East					ENTRANCE TO 7-11 From South					LOCKWOOD DR From West					Int. Total
	Right	Thru	Left	Peds	App. Total	Right	Thru	Left	Peds	App. Total	Right	Thru	Left	Peds	App. Total	Right	Thru	Left	Peds	App. Total	
**BREAK**																					
06:15 AM	0	0	0	1	1	0	0	0	0	0	0	0	0	0	0	0	0	0	1	1	2
06:30 AM	0	0	0	0	0	0	0	0	1	1	0	0	0	0	0	0	0	0	0	0	1
**BREAK**																					
Total	0	0	0	1	1	0	0	0	1	1	0	0	0	0	0	0	0	0	1	1	3
**BREAK**																					
07:30 AM	0	0	0	3	3	0	0	0	0	0	0	0	0	0	0	0	0	0	0	0	3
**BREAK**																					
Total	0	0	0	3	3	0	0	0	0	0	0	0	0	0	0	0	0	0	0	0	3
**BREAK**																					
08:15 AM	0	0	0	0	0	0	0	0	1	1	0	0	0	0	0	0	0	0	0	0	1
**BREAK**																					
Total	0	0	0	0	0	0	0	0	1	1	0	0	0	0	0	0	0	0	0	0	1
**BREAK**																					
04:00 PM	0	0	0	0	0	0	0	0	0	0	0	0	0	2	2	0	0	0	0	0	2
**BREAK**																					
04:30 PM	0	0	0	0	0	0	0	0	0	0	0	0	0	6	6	0	0	0	0	0	6
04:45 PM	0	0	0	4	4	0	0	0	0	0	0	0	0	0	0	0	0	0	4	4	8
Total	0	0	0	4	4	0	0	0	0	0	0	0	0	8	8	0	0	0	4	4	16
05:00 PM	0	0	0	0	0	0	0	0	0	0	0	0	0	3	3	0	0	0	4	4	7
05:15 PM	0	0	0	7	7	0	0	0	4	4	0	0	0	0	0	0	0	0	0	0	11
05:30 PM	0	0	0	0	0	0	0	0	0	0	0	0	0	2	2	0	0	0	1	1	3
05:45 PM	0	0	0	1	1	0	0	0	0	0	0	0	0	0	0	0	0	0	0	0	1
Total	0	0	0	8	8	0	0	0	4	4	0	0	0	5	5	0	0	0	5	5	22
06:00 PM	0	0	0	6	6	0	0	0	0	0	0	0	0	10	10	0	0	0	0	0	16
06:15 PM	0	0	0	1	1	0	0	0	0	0	0	0	0	1	1	0	0	0	0	0	2
06:30 PM	0	0	0	0	0	0	0	0	3	3	0	0	0	4	4	0	0	0	2	2	9
06:45 PM	0	0	0	0	0	0	0	0	0	0	0	0	0	3	3	0	0	0	0	0	3
Total	0	0	0	7	7	0	0	0	3	3	0	0	0	18	18	0	0	0	2	2	30
Grand Total	0	0	0	23	23	0	0	0	9	9	0	0	0	31	31	0	0	0	12	12	75
Apprch %	0	0	0	100		0	0	0	100		0	0	0	100		0	0	0	100		
Total %	0	0	0	30.7	30.7	0	0	0	12	12	0	0	0	41.3	41.3	0	0	0	16	16	

# Sabra, Wang & Assoc, Inc

7055 Samuel Morse Dr, Suite 100  
Columbia, MD 21046

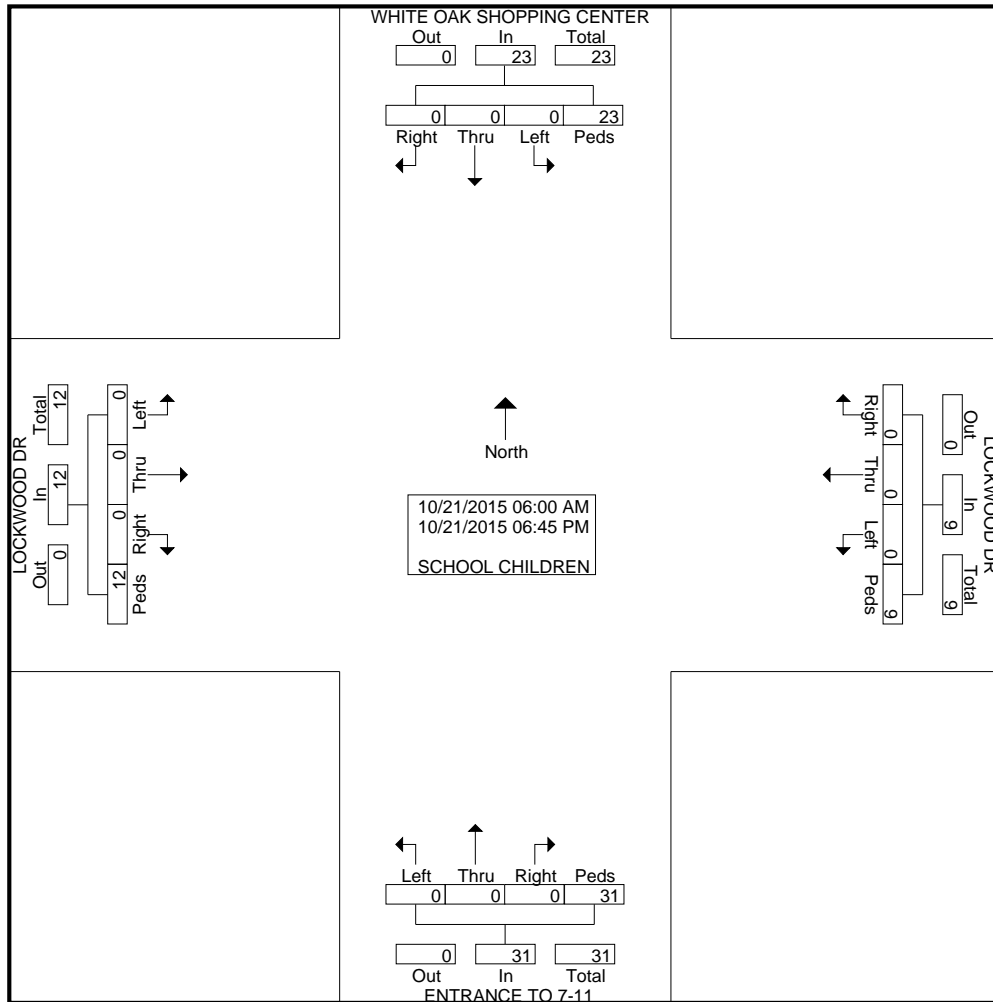
443-741-3500

File Name : Lockwood Dr at White Oak Shopping Ctr

Site Code : 00000000

Start Date : 10/21/2015

Page No : 2



# Sabra, Wang & Assoc, Inc

7055 Samuel Morse Dr, Suite 100  
Columbia, MD 21046

443-741-3500

File Name : Lockwood Dr at White Oak Shopping Ctr

Site Code : 00000000

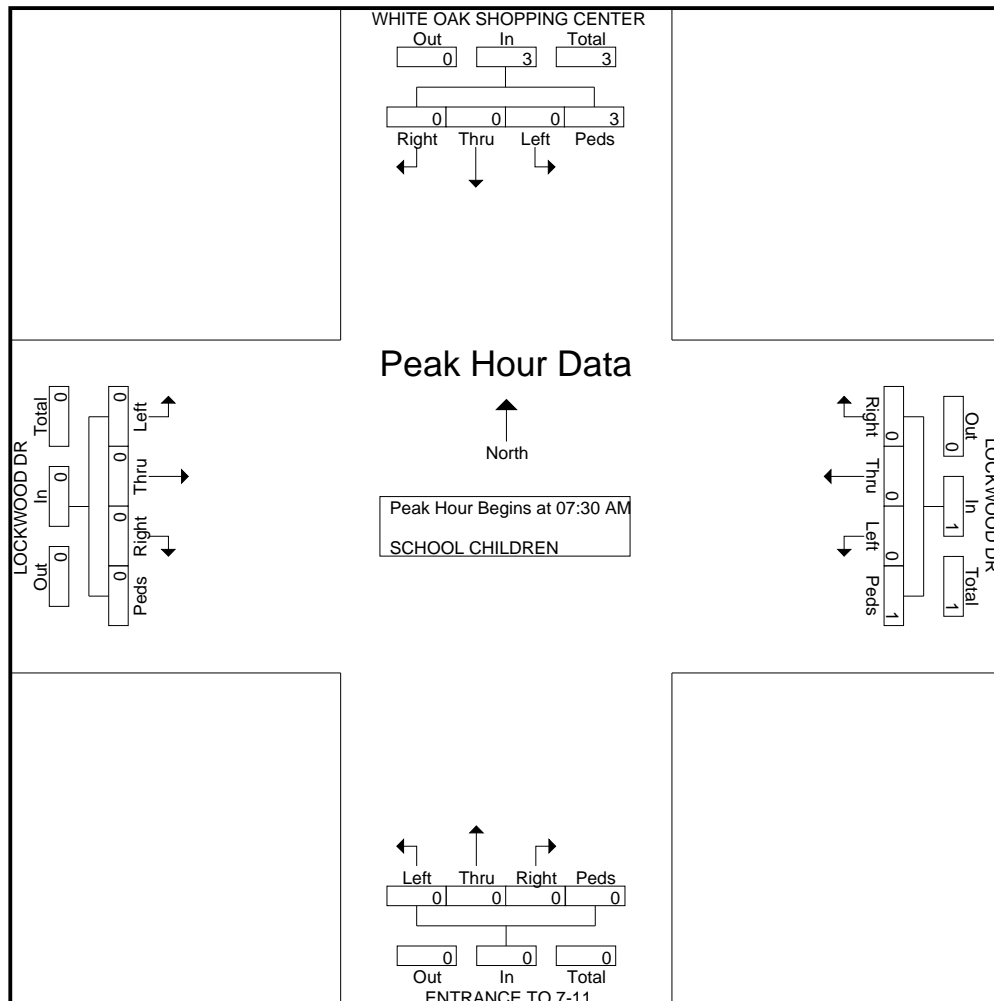
Start Date : 10/21/2015

Page No : 3

Start Time	WHITE OAK SHOPPING CENTER From North					LOCKWOOD DR From East					ENTRANCE TO 7-11 From South					LOCKWOOD DR From West					Int. Total
	Right	Thru	Left	Peds	App. Total	Right	Thru	Left	Peds	App. Total	Right	Thru	Left	Peds	App. Total	Right	Thru	Left	Peds	App. Total	
07:30 AM	0	0	0	3	3	0	0	0	0	0	0	0	0	0	0	0	0	0	0	0	3
07:45 AM	0	0	0	0	0	0	0	0	0	0	0	0	0	0	0	0	0	0	0	0	0
08:00 AM	0	0	0	0	0	0	0	0	0	0	0	0	0	0	0	0	0	0	0	0	0
08:15 AM	0	0	0	0	0	0	0	0	1	1	0	0	0	0	0	0	0	0	0	0	1
Total Volume	0	0	0	3	3	0	0	0	1	1	0	0	0	0	0	0	0	0	0	0	4
% App. Total	0	0	0	100		0	0	0	100		0	0	0	0		0	0	0	0		
PHF	.000	.000	.000	.250	.250	.000	.000	.000	.250	.250	.000	.000	.000	.000	.000	.000	.000	.000	.000	.000	.333

Peak Hour Analysis From 06:00 AM to 11:45 AM - Peak 1 of 1

Peak Hour for Entire Intersection Begins at 07:30 AM



# Sabra, Wang & Assoc, Inc

7055 Samuel Morse Dr, Suite 100  
Columbia, MD 21046

443-741-3500

File Name : Lockwood Dr at White Oak Shopping Ctr

Site Code : 00000000

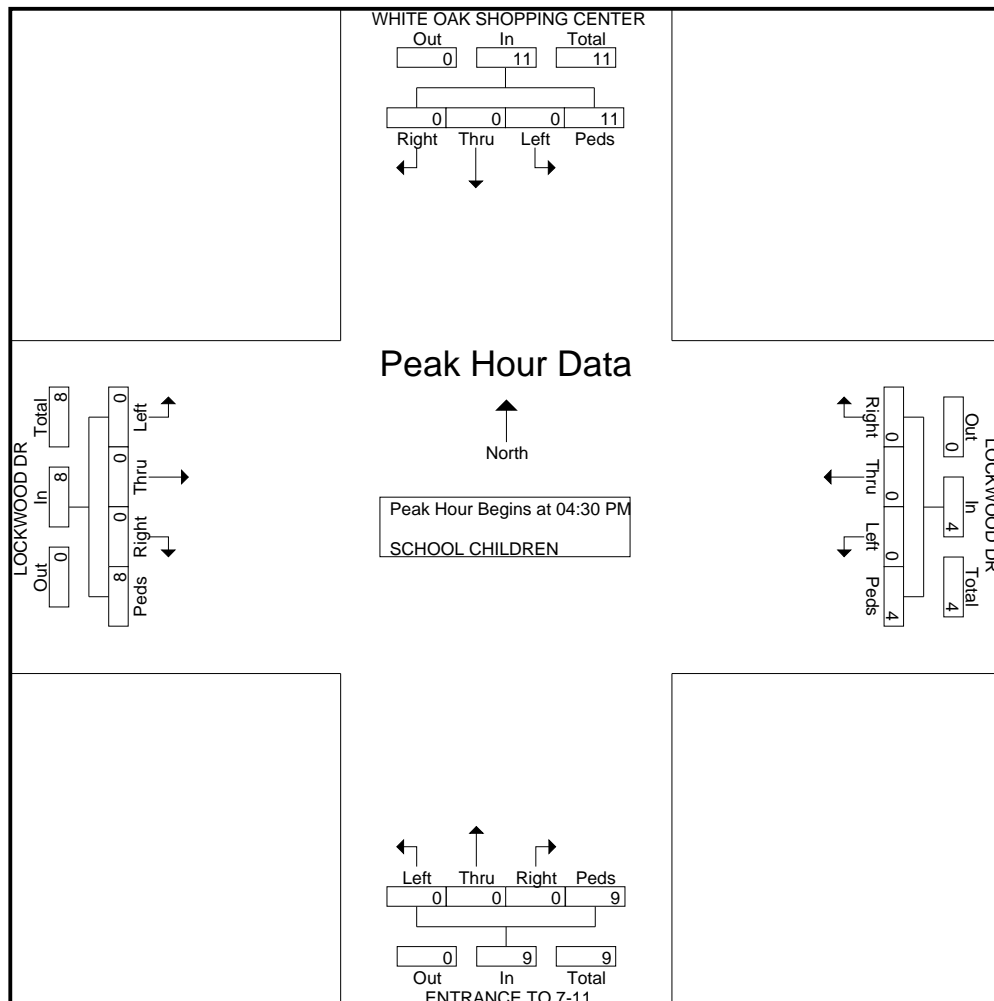
Start Date : 10/21/2015

Page No : 4

Start Time	WHITE OAK SHOPPING CENTER From North					LOCKWOOD DR From East					ENTRANCE TO 7-11 From South					LOCKWOOD DR From West					Int. Total	
	Right	Thru	Left	Peds	App. Total	Right	Thru	Left	Peds	App. Total	Right	Thru	Left	Peds	App. Total	Right	Thru	Left	Peds	App. Total		
04:30 PM	0	0	0	0	0	0	0	0	0	0	0	0	0	6	6	0	0	0	0	0	0	6
04:45 PM	0	0	0	4	4	0	0	0	0	0	0	0	0	0	0	0	0	0	4	4	4	8
05:00 PM	0	0	0	0	0	0	0	0	0	0	0	0	3	3	0	0	0	0	4	4	4	7
05:15 PM	0	0	0	7	7	0	0	0	4	4	0	0	0	0	0	0	0	0	0	0	0	11
Total Volume	0	0	0	11	11	0	0	0	4	4	0	0	0	9	9	0	0	0	8	8	8	32
% App. Total	0	0	0	100		0	0	0	100		0	0	0	100		0	0	0	100			
PHF	.000	.000	.000	.393	.393	.000	.000	.000	.250	.250	.000	.000	.000	.375	.375	.000	.000	.000	.500	.500	.500	.727

Peak Hour Analysis From 12:00 PM to 06:45 PM - Peak 1 of 1

Peak Hour for Entire Intersection Begins at 04:30 PM





# Sabra, Wang & Assoc, Inc

7055 Samuel Morse Dr, Suite 100  
Columbia, MD 21046  
443-741-3500

Weather: SUNNY  
Counted By: DARRELL  
Town: WHITE OAK  
County: MONTGOMERY

File Name : MD 193 EB at Jughandle  
Site Code : 00000000  
Start Date : 5/19/2015  
Page No : 1

Groups Printed- VEHS&PEDS

Start Time	JUGHANDLE From North					MD 193 From East					NO ENTRANCE From South					MD 193 From West					Int. Total
	Right	Thru	Left	Peds	App. Total	Right	Thru	Left	Peds	App. Total	Right	Thru	Left	Peds	App. Total	Right	Thru	Left	Peds	App. Total	
06:00 AM	0	0	19	0	19	0	0	0	0	0	0	0	0	0	0	0	196	0	0	196	215
06:15 AM	0	0	22	1	23	0	0	0	1	1	0	0	0	0	0	0	205	0	0	205	229
06:30 AM	0	0	18	0	18	0	0	0	0	0	0	0	0	0	0	0	314	0	1	315	333
06:45 AM	0	0	20	0	20	0	0	0	0	0	0	0	0	0	0	0	331	0	0	331	351
Total	0	0	79	1	80	0	0	0	1	1	0	0	0	0	0	0	1046	0	1	1047	1128
07:00 AM	0	0	15	0	15	0	0	0	0	0	0	0	0	1	1	0	346	0	0	346	362
07:15 AM	0	0	18	0	18	0	0	0	0	0	0	0	0	0	0	0	367	0	0	367	385
07:30 AM	0	0	21	0	21	0	0	0	0	0	0	0	0	0	0	0	393	0	0	393	414
07:45 AM	0	0	25	0	25	0	0	0	1	1	0	0	0	0	0	0	402	0	1	403	429
Total	0	0	79	0	79	0	0	0	1	1	0	0	0	1	1	0	1508	0	1	1509	1590
08:00 AM	0	0	19	2	21	0	0	0	0	0	0	0	0	0	0	0	419	0	0	419	440
08:15 AM	0	0	19	0	19	0	0	0	0	0	0	0	0	0	0	0	381	0	1	382	401
08:30 AM	0	0	26	0	26	0	0	0	0	0	0	0	0	0	0	0	377	0	0	377	403
08:45 AM	0	0	32	0	32	0	0	0	1	1	0	0	0	0	0	0	379	0	0	379	412
Total	0	0	96	2	98	0	0	0	1	1	0	0	0	0	0	0	1556	0	1	1557	1656
09:00 AM	0	0	30	3	33	0	0	0	0	0	0	0	0	0	0	0	383	0	0	383	416
09:15 AM	0	0	39	0	39	0	0	0	1	1	0	0	0	0	0	0	369	0	0	369	409
09:30 AM	0	0	41	1	42	0	0	0	0	0	0	0	0	0	0	0	359	0	0	359	401
09:45 AM	0	0	21	5	26	0	0	0	0	0	0	0	0	0	0	0	293	0	1	294	320
Total	0	0	131	9	140	0	0	0	1	1	0	0	0	0	0	0	1404	0	1	1405	1546
**BREAK**																					
04:00 PM	0	0	14	1	15	0	0	0	0	0	0	0	0	0	0	0	380	0	0	380	395
04:15 PM	0	0	24	1	25	0	0	0	3	3	0	0	0	0	0	0	415	0	1	416	444
04:30 PM	0	0	23	0	23	0	0	0	0	0	0	0	0	0	0	0	472	0	0	472	495
04:45 PM	0	0	25	0	25	0	0	0	0	0	0	0	0	1	1	0	496	0	0	496	522
Total	0	0	86	2	88	0	0	0	3	3	0	0	0	1	1	0	1763	0	1	1764	1856
05:00 PM	0	0	28	6	34	0	0	0	0	0	0	0	0	0	0	0	510	0	0	510	544
05:15 PM	0	0	16	0	16	0	0	0	0	0	0	0	0	1	1	0	502	0	0	502	519
05:30 PM	0	0	15	0	15	0	0	0	1	1	0	0	0	0	0	0	493	0	0	493	509

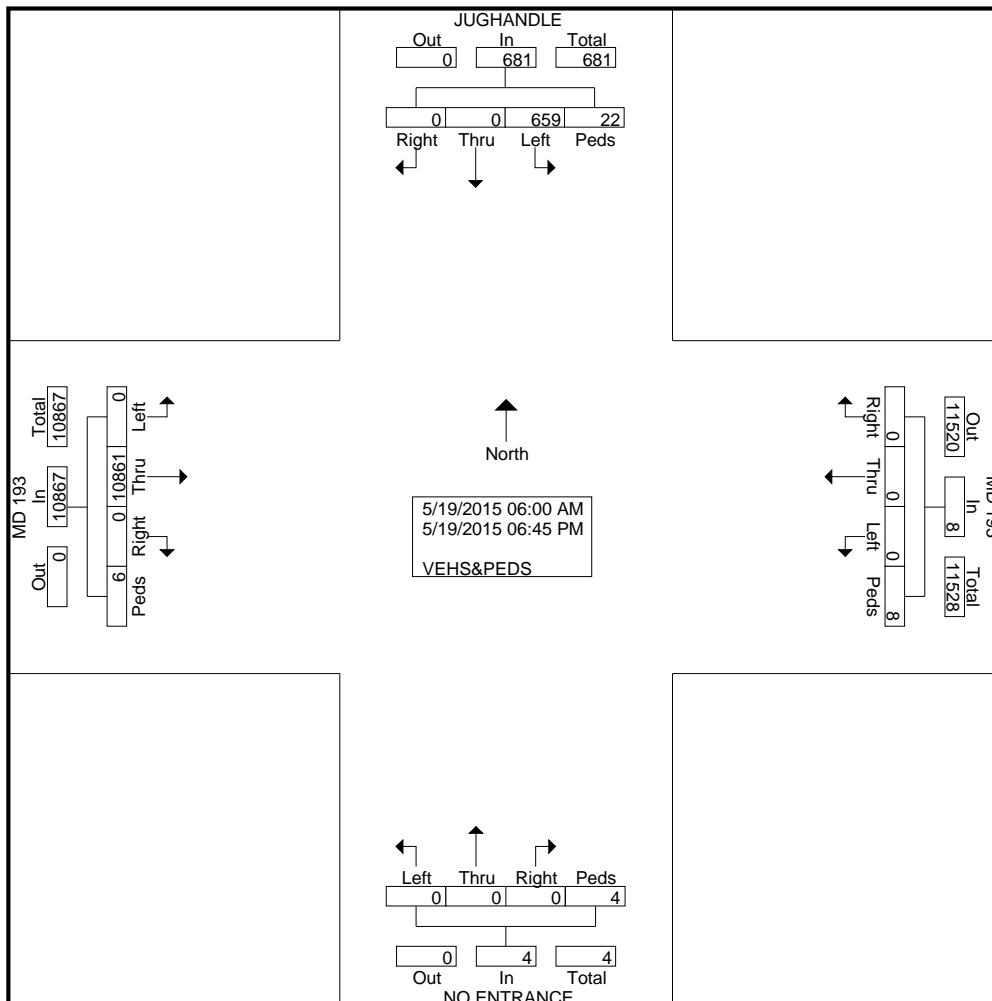
# Sabra, Wang & Assoc, Inc

7055 Samuel Morse Dr, Suite 100  
Columbia, MD 21046  
443-741-3500

File Name : MD 193 EB at Jughandle  
Site Code : 00000000  
Start Date : 5/19/2015  
Page No : 2

Groups Printed- VEHS&PEDS

Start Time	JUGHANDLE From North					MD 193 From East					NO ENTRANCE From South					MD 193 From West					Int. Total
	Right	Thru	Left	Peds	App. Total	Right	Thru	Left	Peds	App. Total	Right	Thru	Left	Peds	App. Total	Right	Thru	Left	Peds	App. Total	
05:45 PM	0	0	22	1	23	0	0	0	0	0	0	0	0	0	0	0	441	0	0	441	464
Total	0	0	81	7	88	0	0	0	1	1	0	0	0	1	1	0	1946	0	0	1946	2036
06:00 PM	0	0	14	0	14	0	0	0	0	0	0	0	0	1	1	0	423	0	1	424	439
06:15 PM	0	0	29	0	29	0	0	0	0	0	0	0	0	0	0	0	411	0	0	411	440
06:30 PM	0	0	34	1	35	0	0	0	0	0	0	0	0	0	0	0	408	0	0	408	443
06:45 PM	0	0	30	0	30	0	0	0	0	0	0	0	0	0	0	0	396	0	0	396	426
Total	0	0	107	1	108	0	0	0	0	0	0	0	0	1	1	0	1638	0	1	1639	1748
Grand Total	0	0	659	22	681	0	0	0	8	8	0	0	0	4	4	0	10861	0	6	10867	11560
Apprch %	0	0	96.8	3.2		0	0	0	100		0	0	0	100		0	99.9	0	0.1		
Total %	0	0	5.7	0.2	5.9	0	0	0	0.1	0.1	0	0	0	0	0	0	94	0	0.1	94	



# Sabra, Wang & Assoc, Inc

7055 Samuel Morse Dr, Suite 100  
Columbia, MD 21046  
443-741-3500

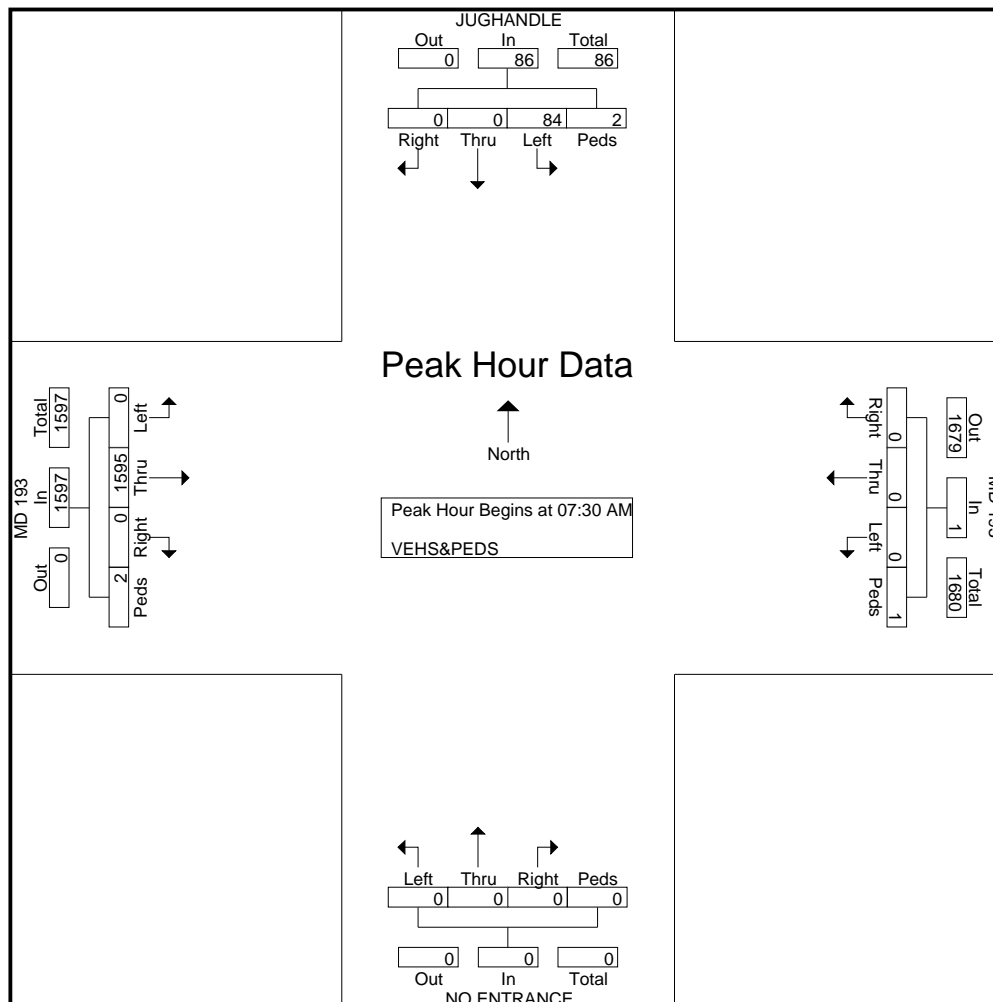
File Name : MD 193 EB at Jughandle  
Site Code : 00000000  
Start Date : 5/19/2015  
Page No : 3

Start Time	JUGHANDLE From North					MD 193 From East					NO ENTRANCE From South					MD 193 From West					Int. Total
	Right	Thru	Left	Peds	App. Total	Right	Thru	Left	Peds	App. Total	Right	Thru	Left	Peds	App. Total	Right	Thru	Left	Peds	App. Total	

Peak Hour Analysis From 06:00 AM to 11:45 AM - Peak 1 of 1

Peak Hour for Entire Intersection Begins at 07:30 AM

07:30 AM	0	0	21	0	21	0	0	0	0	0	0	0	0	0	0	0	393	0	0	393	414
07:45 AM	0	0	25	0	25	0	0	0	1	1	0	0	0	0	0	0	402	0	1	403	429
08:00 AM	0	0	19	2	21	0	0	0	0	0	0	0	0	0	0	0	419	0	0	419	440
08:15 AM	0	0	19	0	19	0	0	0	0	0	0	0	0	0	0	0	381	0	1	382	401
Total Volume	0	0	84	2	86	0	0	0	1	1	0	0	0	0	0	0	1595	0	2	1597	1684
% App. Total	0	0	97.7	2.3		0	0	0	100		0	0	0	0		0	99.9	0	0.1		
PHF	.000	.000	.840	.250	.860	.000	.000	.000	.250	.250	.000	.000	.000	.000	.000	.000	.952	.000	.500	.953	.957



# Sabra, Wang & Assoc, Inc

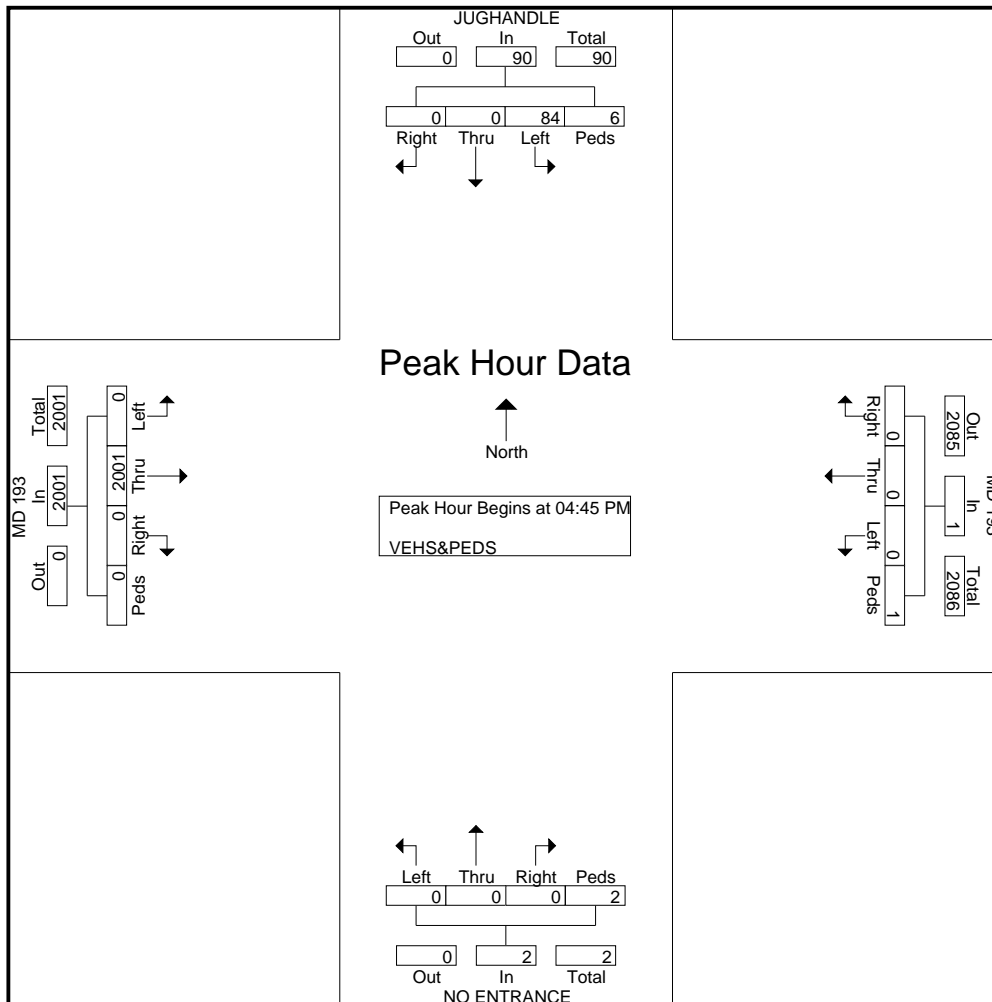
7055 Samuel Morse Dr, Suite 100  
Columbia, MD 21046  
443-741-3500

File Name : MD 193 EB at Jughandle  
Site Code : 00000000  
Start Date : 5/19/2015  
Page No : 4

Start Time	JUGHANDLE From North					MD 193 From East					NO ENTRANCE From South					MD 193 From West					Int. Total
	Right	Thru	Left	Peds	App. Total	Right	Thru	Left	Peds	App. Total	Right	Thru	Left	Peds	App. Total	Right	Thru	Left	Peds	App. Total	
04:45 PM	0	0	25	0	25	0	0	0	0	0	0	0	0	1	1	0	496	0	0	496	522
05:00 PM	0	0	28	6	34	0	0	0	0	0	0	0	0	0	0	0	510	0	0	510	544
05:15 PM	0	0	16	0	16	0	0	0	0	0	0	0	0	1	1	0	502	0	0	502	519
05:30 PM	0	0	15	0	15	0	0	0	1	1	0	0	0	0	0	0	493	0	0	493	509
Total Volume	0	0	84	6	90	0	0	0	1	1	0	0	0	2	2	0	2001	0	0	2001	2094
% App. Total	0	0	93.3	6.7		0	0	0	100		0	0	0	100		0	100	0	0		
PHF	.000	.000	.750	.250	.662	.000	.000	.000	.250	.250	.000	.000	.000	.500	.500	.000	.981	.000	.000	.981	.962

Peak Hour Analysis From 12:00 PM to 06:45 PM - Peak 1 of 1

Peak Hour for Entire Intersection Begins at 04:45 PM



# Sabra, Wang & Assoc, Inc

7055 Samuel Morse Dr, Suite 100  
Columbia, MD 21046  
443-741-3500

Weather: SUNNY  
Counted By: DARRELL  
Town: WHITE OAK  
County: MONTGOMERY

File Name : MD 193 WB at Jughandle  
Site Code : 00000000  
Start Date : 5/19/2015  
Page No : 1

Groups Printed- VEHS&PEDS

Start Time	JUGHANDLE From North					MD193 From East					JUGHANDLE From South					MD193 From West					Int. Total
	Right	Thru	Left	Peds	App. Total	Right	Thru	Left	Peds	App. Total	Right	Thru	Left	Peds	App. Total	Right	Thru	Left	Peds	App. Total	
06:00 AM	0	0	0	0	0	0	188	0	0	188	0	0	5	0	5	0	0	0	0	0	193
06:15 AM	0	0	0	0	0	0	274	0	1	275	0	0	8	0	8	0	0	0	4	4	287
06:30 AM	0	0	0	0	0	0	283	0	1	284	0	0	7	0	7	0	0	0	0	0	291
06:45 AM	0	0	0	0	0	0	317	0	3	320	0	0	31	2	33	0	0	0	8	8	361
Total	0	0	0	0	0	0	1062	0	5	1067	0	0	51	2	53	0	0	0	12	12	1132
07:00 AM	0	0	0	0	0	0	350	0	0	350	0	0	38	0	38	0	0	0	0	0	388
07:15 AM	0	0	0	0	0	0	366	0	1	367	0	0	84	3	87	0	0	0	7	7	461
07:30 AM	0	0	0	0	0	0	371	0	5	376	0	0	28	0	28	0	0	0	0	0	404
07:45 AM	0	0	0	0	0	0	385	0	1	386	0	0	53	0	53	0	0	0	0	0	439
Total	0	0	0	0	0	0	1472	0	7	1479	0	0	203	3	206	0	0	0	7	7	1692
08:00 AM	0	0	0	0	0	0	410	0	2	412	0	0	59	0	59	0	0	0	0	0	471
08:15 AM	0	0	0	0	0	0	391	0	0	391	0	0	58	0	58	0	0	0	0	0	449
08:30 AM	0	0	0	0	0	0	370	0	0	370	0	0	62	0	62	0	0	0	0	0	432
08:45 AM	0	0	0	0	0	0	322	0	0	322	0	0	9	0	9	0	0	0	1	1	332
Total	0	0	0	0	0	0	1493	0	2	1495	0	0	188	0	188	0	0	0	1	1	1684
09:00 AM	0	0	0	0	0	0	345	0	0	345	0	0	63	1	64	0	0	0	0	0	409
09:15 AM	0	0	0	0	0	0	355	0	1	356	0	0	35	2	37	0	0	0	0	0	393
09:30 AM	0	0	0	0	0	0	360	0	0	360	0	0	75	2	77	0	0	0	4	4	441
09:45 AM	0	0	0	0	0	0	354	0	0	354	0	0	51	0	51	0	0	0	0	0	405
Total	0	0	0	0	0	0	1414	0	1	1415	0	0	224	5	229	0	0	0	4	4	1648
**BREAK**																					
04:00 PM	0	0	0	0	0	0	413	0	0	413	0	0	13	4	17	0	0	0	0	0	430
04:15 PM	0	0	0	0	0	0	447	0	0	447	0	0	33	0	33	0	0	0	0	0	480
04:30 PM	0	0	0	0	0	0	494	0	0	494	0	0	34	1	35	0	0	0	0	0	529
04:45 PM	0	0	0	0	0	0	466	0	0	466	0	0	31	1	32	0	0	0	0	0	498
Total	0	0	0	0	0	0	1820	0	0	1820	0	0	111	6	117	0	0	0	0	0	1937
05:00 PM	0	0	0	0	0	0	451	0	0	451	0	0	68	0	68	0	0	0	0	0	519
05:15 PM	0	0	0	0	0	0	423	0	0	423	0	0	30	0	30	0	0	0	0	0	453
05:30 PM	0	0	0	0	0	0	410	0	0	410	0	0	45	0	45	0	0	0	0	0	455

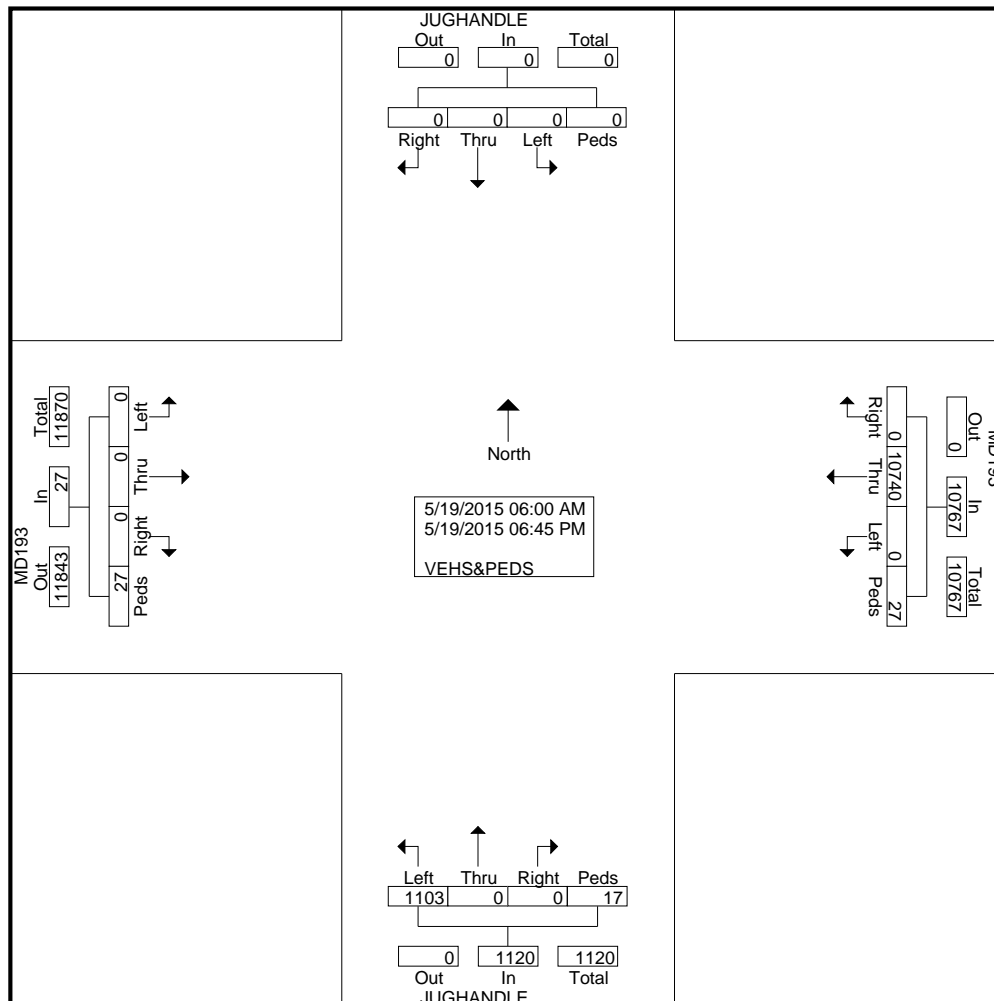
# Sabra, Wang & Assoc, Inc

7055 Samuel Morse Dr, Suite 100  
Columbia, MD 21046  
443-741-3500

File Name : MD 193 WB at Jughandle  
Site Code : 00000000  
Start Date : 5/19/2015  
Page No : 2

Groups Printed- VEHS&PEDS

Start Time	JUGHANDLE From North					MD193 From East					JUGHANDLE From South					MD193 From West					Int. Total
	Right	Thru	Left	Peds	App. Total	Right	Thru	Left	Peds	App. Total	Right	Thru	Left	Peds	App. Total	Right	Thru	Left	Peds	App. Total	
05:45 PM	0	0	0	0	0	0	464	0	0	464	0	0	42	0	42	0	0	0	1	1	507
Total	0	0	0	0	0	0	1748	0	0	1748	0	0	185	0	185	0	0	0	1	1	1934
06:00 PM	0	0	0	0	0	0	451	0	3	454	0	0	36	0	36	0	0	0	0	0	490
06:15 PM	0	0	0	0	0	0	433	0	5	438	0	0	46	0	46	0	0	0	2	2	486
06:30 PM	0	0	0	0	0	0	428	0	4	432	0	0	31	1	32	0	0	0	0	0	464
06:45 PM	0	0	0	0	0	0	419	0	0	419	0	0	28	0	28	0	0	0	0	0	447
Total	0	0	0	0	0	0	1731	0	12	1743	0	0	141	1	142	0	0	0	2	2	1887
Grand Total	0	0	0	0	0	0	10740	0	27	10767	0	0	1103	17	1120	0	0	0	27	27	11914
Approch %	0	0	0	0		0	99.7	0	0.3		0	0	98.5	1.5		0	0	0	100		
Total %	0	0	0	0		0	90.1	0	0.2	90.4	0	0	9.3	0.1	9.4	0	0	0	0.2	0.2	



# Sabra, Wang & Assoc, Inc

7055 Samuel Morse Dr, Suite 100  
Columbia, MD 21046  
443-741-3500

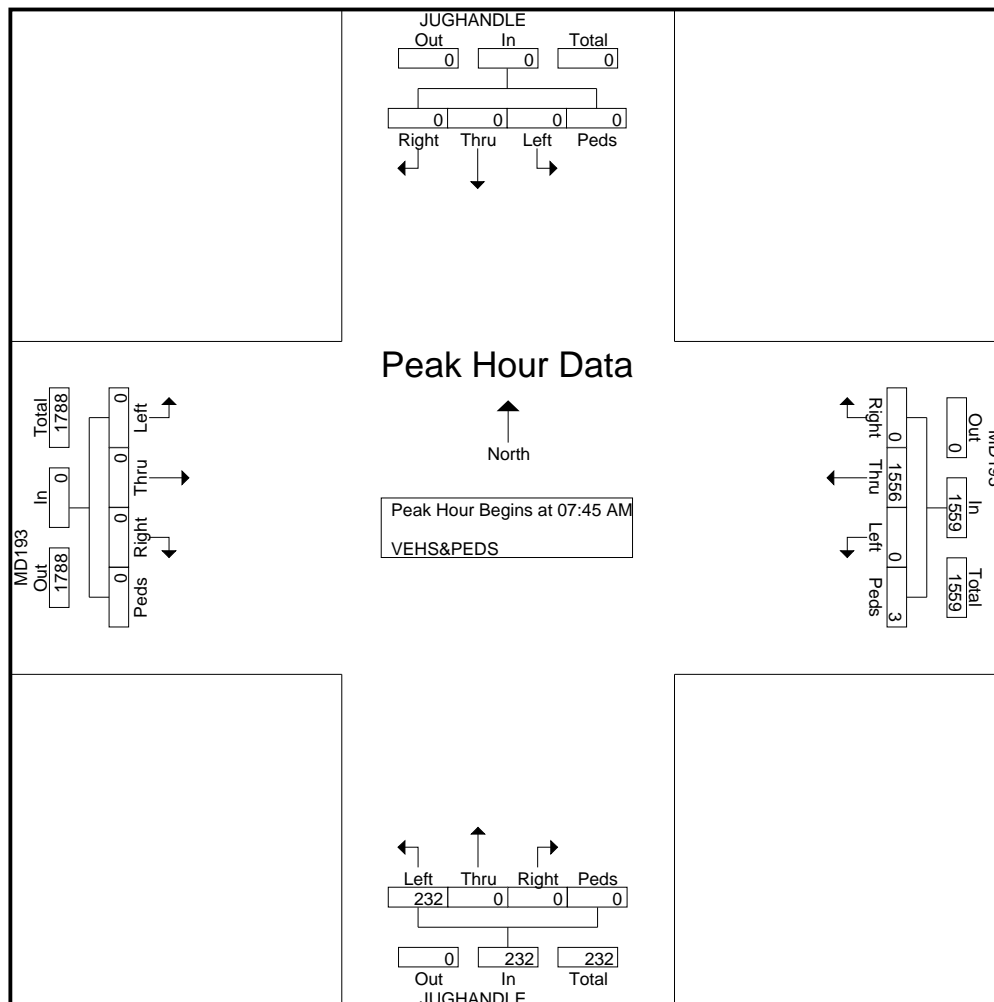
File Name : MD 193 WB at Jughandle  
Site Code : 00000000  
Start Date : 5/19/2015  
Page No : 3

Start Time	JUGHANDLE From North					MD193 From East					JUGHANDLE From South					MD193 From West					Int. Total
	Right	Thru	Left	Peds	App. Total	Right	Thru	Left	Peds	App. Total	Right	Thru	Left	Peds	App. Total	Right	Thru	Left	Peds	App. Total	

Peak Hour Analysis From 06:00 AM to 11:45 AM - Peak 1 of 1

Peak Hour for Entire Intersection Begins at 07:45 AM

07:45 AM	0	0	0	0	0	0	385	0	1	386	0	0	53	0	53	0	0	0	0	0	439
08:00 AM	0	0	0	0	0	0	<b>410</b>	0	<b>2</b>	<b>412</b>	0	0	59	0	59	0	0	0	0	0	<b>471</b>
08:15 AM	0	0	0	0	0	0	391	0	0	391	0	0	58	0	58	0	0	0	0	0	449
08:30 AM	0	0	0	0	0	0	370	0	0	370	0	0	<b>62</b>	0	<b>62</b>	0	0	0	0	0	432
Total Volume	0	0	0	0	0	0	1556	0	3	1559	0	0	232	0	232	0	0	0	0	0	1791
% App. Total	0	0	0	0	0	0	99.8	0	0.2		0	0	100	0		0	0	0	0	0	
PHF	.000	.000	.000	.000	.000	.000	.949	.000	.375	.946	.000	.000	.935	.000	.935	.000	.000	.000	.000	.000	.951



# Sabra, Wang & Assoc, Inc

7055 Samuel Morse Dr, Suite 100  
Columbia, MD 21046  
443-741-3500

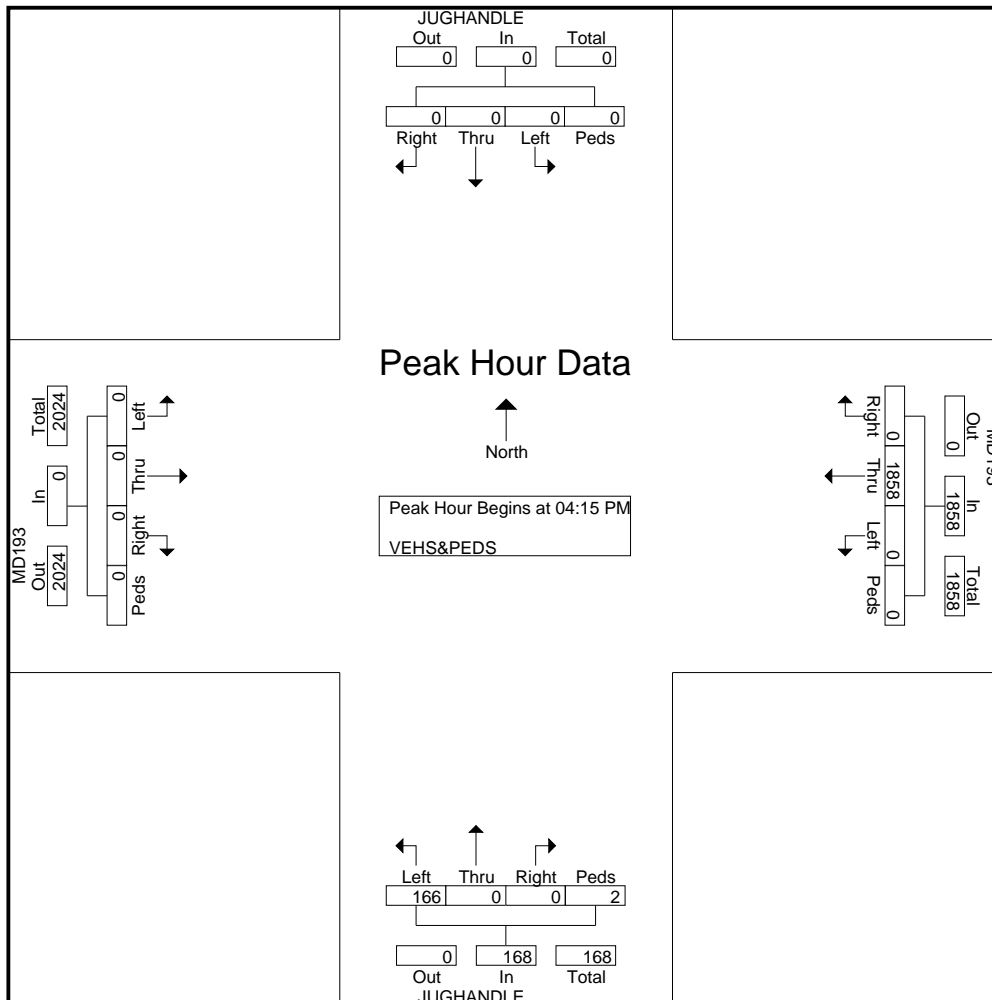
File Name : MD 193 WB at Jughandle  
Site Code : 00000000  
Start Date : 5/19/2015  
Page No : 4

Start Time	JUGHANDLE From North					MD193 From East					JUGHANDLE From South					MD193 From West					Int. Total
	Right	Thru	Left	Peds	App. Total	Right	Thru	Left	Peds	App. Total	Right	Thru	Left	Peds	App. Total	Right	Thru	Left	Peds	App. Total	

Peak Hour Analysis From 12:00 PM to 06:45 PM - Peak 1 of 1

Peak Hour for Entire Intersection Begins at 04:15 PM

04:15 PM	0	0	0	0	0	0	447	0	0	447	0	0	33	0	33	0	0	0	0	0	480
04:30 PM	0	0	0	0	0	0	<b>494</b>	0	0	<b>494</b>	0	0	34	<b>1</b>	35	0	0	0	0	0	<b>529</b>
04:45 PM	0	0	0	0	0	0	466	0	0	466	0	0	31	1	32	0	0	0	0	0	498
05:00 PM	0	0	0	0	0	0	451	0	0	451	0	0	<b>68</b>	0	<b>68</b>	0	0	0	0	0	519
Total Volume	0	0	0	0	0	0	1858	0	0	1858	0	0	166	2	168	0	0	0	0	0	2026
% App. Total	0	0	0	0	0	0	100	0	0		0	0	98.8	1.2		0	0	0	0	0	
PHF	.000	.000	.000	.000	.000	.000	.940	.000	.000	.940	.000	.000	.610	.500	.618	.000	.000	.000	.000	.000	.957





# Sabra, Wang & Assoc, Inc

7055 Samuel Morse Dr, Suite 100

Columbia, MD 21046

443-741-3500

Weather: SUNNY  
 Counted By: CHANEL  
 Town: SILVER SPRING  
 County: MONTGOMERY

File Name : MD 650 at Jackson Rd  
 Site Code : 00000000  
 Start Date : 5/19/2015  
 Page No : 1

Groups Printed- VEHS&PEDS

Start Time	MD 650 From North					JACKSON RD From East					MD 650 From South					NO ENTRANCE From West					Int. Total
	Right	Thru	Left	Peds	App. Total	Right	Thru	Left	Peds	App. Total	Right	Thru	Left	Peds	App. Total	Right	Thru	Left	Peds	App. Total	
06:00 AM	0	250	4	0	254	1	0	7	0	8	7	156	0	0	163	0	0	0	0	0	425
06:15 AM	0	336	3	0	339	5	0	2	1	8	3	202	0	0	205	0	0	0	0	0	552
06:30 AM	0	377	7	0	384	7	0	6	2	15	4	325	0	0	329	0	0	0	0	0	728
06:45 AM	0	437	11	0	448	8	0	10	1	19	6	316	0	1	323	0	0	0	0	0	790
Total	0	1400	25	0	1425	21	0	25	4	50	20	999	0	1	1020	0	0	0	0	0	2495
07:00 AM	0	567	17	0	584	9	0	9	2	20	8	343	0	1	352	0	0	0	0	0	956
07:15 AM	0	500	33	0	533	8	0	6	3	17	16	294	0	1	311	0	0	0	0	0	861
07:30 AM	0	600	57	0	657	13	0	12	2	27	20	321	0	3	344	0	0	0	0	0	1028
07:45 AM	0	552	44	0	596	9	0	14	1	24	14	290	0	1	305	0	0	0	0	0	925
Total	0	2219	151	0	2370	39	0	41	8	88	58	1248	0	6	1312	0	0	0	0	0	3770
08:00 AM	0	608	19	0	627	11	0	16	0	27	20	297	0	0	317	0	0	0	0	0	971
08:15 AM	0	516	40	0	556	22	0	26	2	50	39	259	0	0	298	0	0	0	0	0	904
08:30 AM	0	486	40	0	526	38	0	38	0	76	51	248	0	0	299	0	0	0	0	0	901
08:45 AM	0	474	25	0	499	22	0	20	3	45	30	268	0	0	298	0	0	0	0	0	842
Total	0	2084	124	0	2208	93	0	100	5	198	140	1072	0	0	1212	0	0	0	0	0	3618
09:00 AM	0	530	23	0	553	13	0	19	3	35	22	305	0	0	327	0	0	0	0	0	915
09:15 AM	0	438	11	0	449	6	0	17	4	27	18	254	0	1	273	0	0	0	0	0	749
09:30 AM	0	388	4	0	392	10	0	14	5	29	16	234	0	0	250	0	0	0	0	0	671
09:45 AM	0	338	9	0	347	5	0	8	3	16	14	204	0	1	219	0	0	0	0	0	582
Total	0	1694	47	0	1741	34	0	58	15	107	70	997	0	2	1069	0	0	0	0	0	2917
*** BREAK ***																					
04:00 PM	0	315	22	0	337	10	0	9	5	24	17	490	0	5	512	0	0	0	0	0	873
04:15 PM	0	361	25	0	386	15	0	23	0	38	14	589	0	3	606	0	0	0	0	0	1030
04:30 PM	0	347	20	0	367	11	0	11	0	22	9	521	0	0	530	0	0	0	0	0	919
04:45 PM	0	314	10	0	324	10	0	8	0	18	19	602	0	0	621	0	0	0	0	0	963
Total	0	1337	77	0	1414	46	0	51	5	102	59	2202	0	8	2269	0	0	0	0	0	3785
05:00 PM	0	366	20	0	386	11	0	10	0	21	22	668	0	0	690	0	0	0	0	0	1097
05:15 PM	0	321	19	0	340	12	0	18	0	30	22	549	0	1	572	0	0	0	0	0	942
05:30 PM	0	322	18	0	340	15	0	23	3	41	29	596	0	0	625	0	0	0	0	0	1006
05:45 PM	0	346	33	0	379	21	0	18	2	41	24	561	0	0	585	0	0	0	0	0	1005
Total	0	1355	90	0	1445	59	0	69	5	133	97	2374	0	1	2472	0	0	0	0	0	4050
06:00 PM	0	308	22	0	330	25	0	28	2	55	16	568	0	2	586	0	0	0	0	0	971
06:15 PM	0	342	16	0	358	13	0	11	2	26	28	501	0	1	530	0	0	0	0	0	914
06:30 PM	0	313	21	0	334	13	0	20	1	34	16	477	0	0	493	0	0	0	0	0	861
06:45 PM	0	269	16	0	285	11	0	21	5	37	23	437	0	4	464	0	0	0	0	0	786
Total	0	1232	75	0	1307	62	0	80	10	152	83	1983	0	7	2073	0	0	0	0	0	3532
Grand Total	0	11321	589	0	11910	354	0	424	52	830	527	10875	0	25	11427	0	0	0	0	0	24167
Apprch %	0	95.1	4.9	0		42.7	0	51.1	6.3		4.6	95.2	0	0.2		0	0	0	0		
Total %	0	46.8	2.4	0	49.3	1.5	0	1.8	0.2	3.4	2.2	45	0	0.1	47.3	0	0	0	0	0	

# Sabra, Wang & Assoc, Inc

7055 Samuel Morse Dr, Suite 100  
Columbia, MD 21046

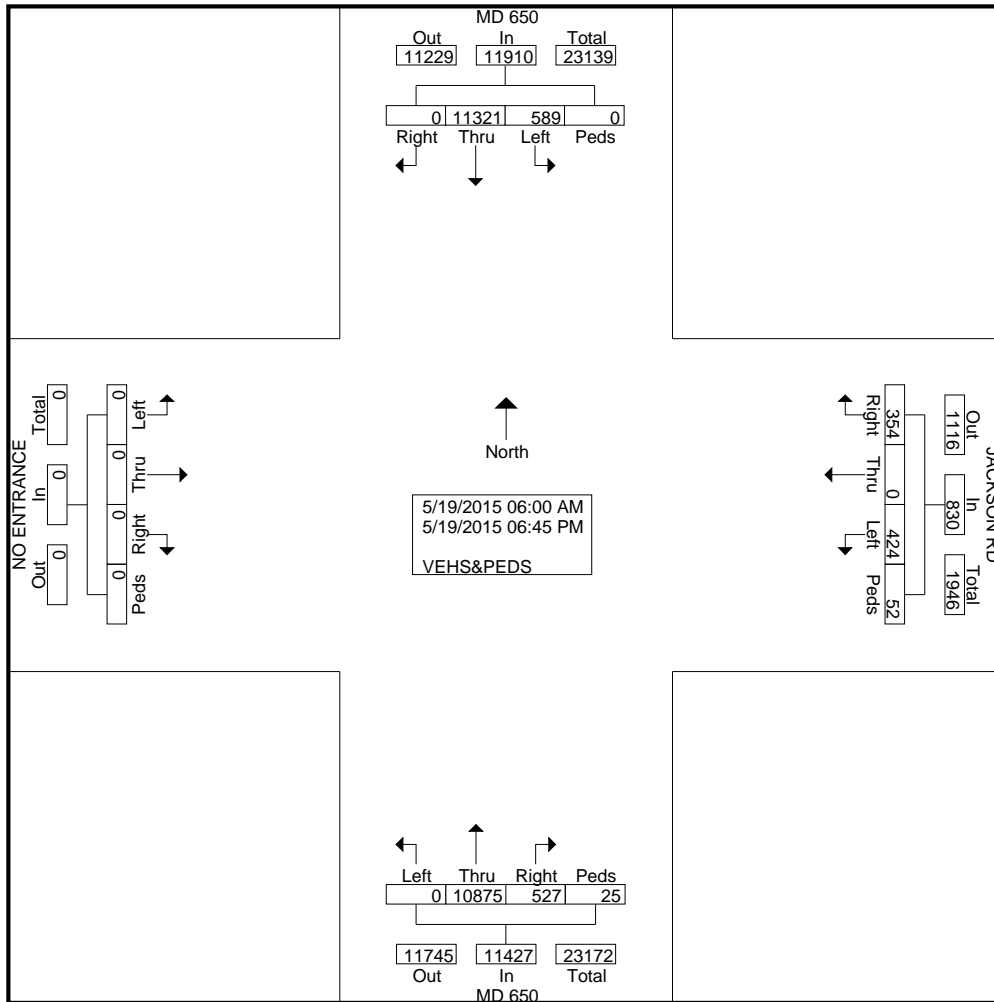
443-741-3500

File Name : MD 650 at Jackson Rd

Site Code : 00000000

Start Date : 5/19/2015

Page No : 2



# Sabra, Wang & Assoc, Inc

7055 Samuel Morse Dr, Suite 100  
Columbia, MD 21046

443-741-3500

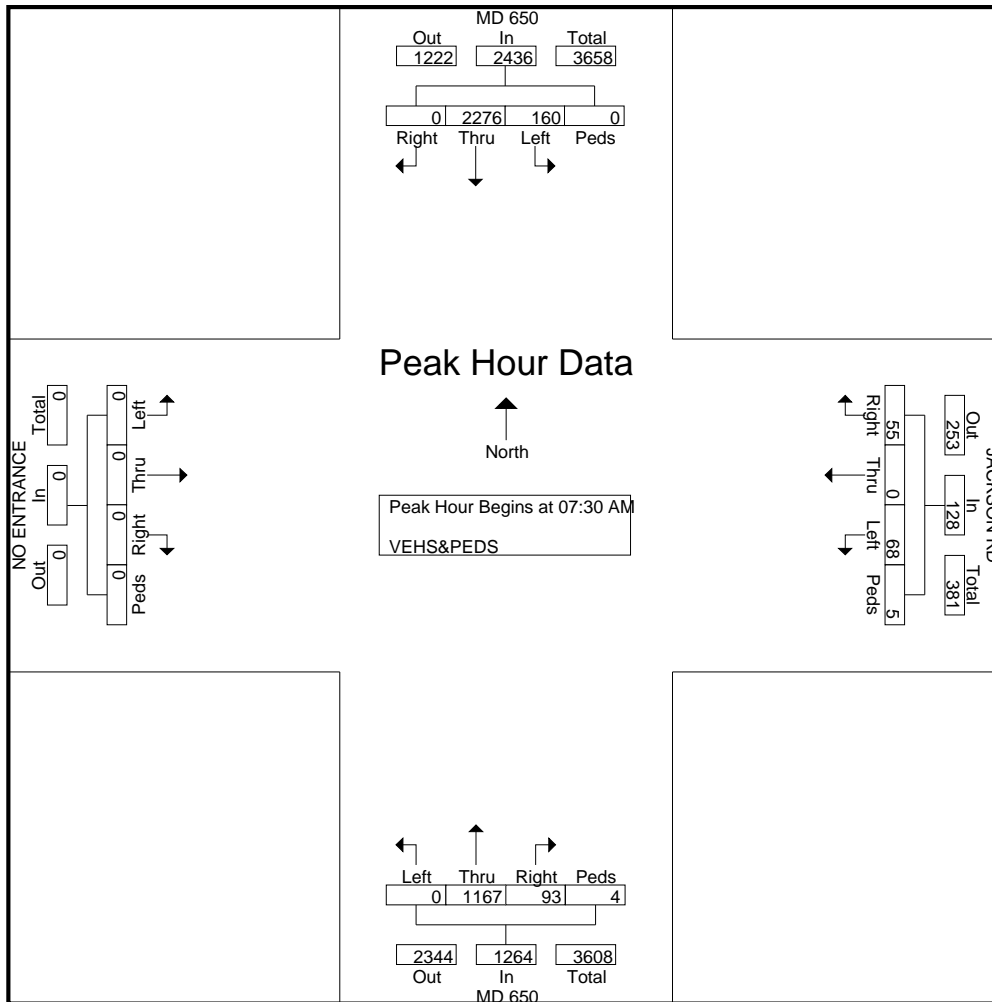
File Name : MD 650 at Jackson Rd

Site Code : 00000000

Start Date : 5/19/2015

Page No : 3

Start Time	MD 650 From North					JACKSON RD From East					MD 650 From South					NO ENTRANCE From West					Int. Total
	Right	Thru	Left	Peds	App. Total	Right	Thru	Left	Peds	App. Total	Right	Thru	Left	Peds	App. Total	Right	Thru	Left	Peds	App. Total	
Peak Hour Analysis From 06:00 AM to 11:45 AM - Peak 1 of 1																					
Peak Hour for Entire Intersection Begins at 07:30 AM																					
07:30 AM	0	600	57	0	657	13	0	12	2	27	20	321	0	3	344	0	0	0	0	0	1028
07:45 AM	0	552	44	0	596	9	0	14	1	24	14	290	0	1	305	0	0	0	0	0	925
08:00 AM	0	608	19	0	627	11	0	16	0	27	20	297	0	0	317	0	0	0	0	0	971
08:15 AM	0	516	40	0	556	22	0	26	2	50	39	259	0	0	298	0	0	0	0	0	904
Total Volume	0	2276	160	0	2436	55	0	68	5	128	93	1167	0	4	1264	0	0	0	0	0	3828
% App. Total	0	93.4	6.6	0		43	0	53.1	3.9		7.4	92.3	0	0.3		0	0	0	0		
PHF	.000	.936	.702	.000	.927	.625	.000	.654	.625	.640	.596	.909	.000	.333	.919	.000	.000	.000	.000	.000	.931

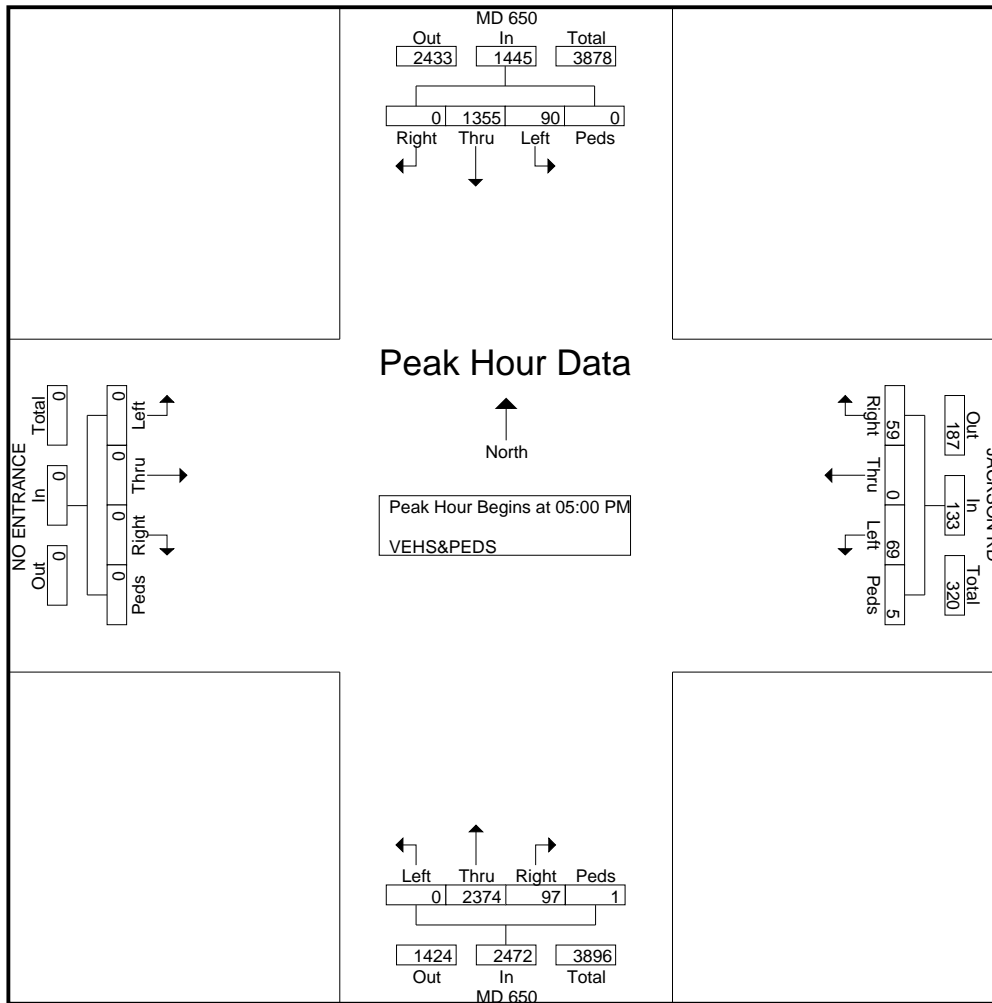


# Sabra, Wang & Assoc, Inc

7055 Samuel Morse Dr, Suite 100  
Columbia, MD 21046  
443-741-3500

File Name : MD 650 at Jackson Rd  
Site Code : 00000000  
Start Date : 5/19/2015  
Page No : 4

Start Time	MD 650 From North					JACKSON RD From East					MD 650 From South					NO ENTRANCE From West					Int. Total
	Right	Thru	Left	Peds	App. Total	Right	Thru	Left	Peds	App. Total	Right	Thru	Left	Peds	App. Total	Right	Thru	Left	Peds	App. Total	
Peak Hour Analysis From 12:00 PM to 06:45 PM - Peak 1 of 1																					
Peak Hour for Entire Intersection Begins at 05:00 PM																					
05:00 PM	0	366	20	0	386	11	0	10	0	21	22	668	0	0	690	0	0	0	0	0	1097
05:15 PM	0	321	19	0	340	12	0	18	0	30	22	549	0	1	572	0	0	0	0	0	942
05:30 PM	0	322	18	0	340	15	0	23	3	41	29	596	0	0	625	0	0	0	0	0	1006
05:45 PM	0	346	33	0	379	21	0	18	2	41	24	561	0	0	585	0	0	0	0	0	1005
Total Volume	0	1355	90	0	1445	59	0	69	5	133	97	2374	0	1	2472	0	0	0	0	0	4050
% App. Total	0	93.8	6.2	0		44.4	0	51.9	3.8		3.9	96	0	0		0	0	0	0	0	
PHF	.000	.926	.682	.000	.936	.702	.000	.750	.417	.811	.836	.888	.000	.250	.896	.000	.000	.000	.000	.000	.923



# Sabra, Wang & Assoc, Inc

7055 Samuel Morse Dr, Suite 100  
Columbia, MD 21046  
443-741-3500

Weather: SUNNY  
Counted By: HORACE & DARRELL  
Town: SILVER SPRING  
County: MONTGOMERY

File Name : Old Columbia Pike at Industrial Lane  
Site Code : 00000000  
Start Date : 5/12/2015  
Page No : 1

Groups Printed- VEHS&PEDS

Start Time	OLD COLUMBIA PIKE From North					INDUSTRIAL PKWY From East					OLD COLUMBIA PIKE From South					INDUSTRIAL PKWY From West					Int. Total
	Right	Thru	Left	Peds	App. Total	Right	Thru	Left	Peds	App. Total	Right	Thru	Left	Peds	App. Total	Right	Thru	Left	Peds	App. Total	
06:00 AM	0	0	2	0	2	5	17	26	0	48	162	0	0	0	162	2	10	0	0	12	224
06:15 AM	1	0	2	0	3	1	32	8	0	41	143	0	8	0	151	4	20	0	0	24	219
06:30 AM	2	2	0	0	4	0	26	12	0	38	153	1	0	0	154	2	17	0	0	19	215
06:45 AM	3	6	3	0	12	4	44	3	2	53	131	0	1	0	132	4	40	0	0	44	241
Total	6	8	7	0	21	10	119	49	2	180	589	1	9	0	599	12	87	0	0	99	899
07:00 AM	9	2	1	0	12	4	47	6	0	57	129	1	1	0	131	5	46	1	1	53	253
07:15 AM	3	1	0	0	4	12	48	7	1	68	81	0	0	0	81	3	68	4	1	76	229
07:30 AM	1	1	1	0	3	7	63	6	0	76	99	0	0	0	99	6	52	0	0	58	236
07:45 AM	3	4	5	0	12	4	37	2	1	44	72	1	0	6	79	4	99	1	0	104	239
Total	16	8	7	0	31	27	195	21	2	245	381	2	1	6	390	18	265	6	2	291	957
08:00 AM	5	3	4	0	12	7	40	1	1	49	67	0	0	0	67	12	76	1	0	89	217
08:15 AM	1	2	1	0	4	13	34	2	0	49	43	0	0	0	43	10	96	1	0	107	203
08:30 AM	3	1	4	0	8	7	38	3	1	49	62	0	0	0	62	9	111	2	0	122	241
08:45 AM	2	0	3	0	5	11	58	7	0	76	71	0	0	0	71	6	107	2	0	115	267
Total	11	6	12	0	29	38	170	13	2	223	243	0	0	0	243	37	390	6	0	433	928
09:00 AM	3	1	6	0	10	7	51	2	0	60	84	0	0	0	84	3	154	0	0	157	311
09:15 AM	2	1	3	0	6	8	52	1	0	61	67	0	0	0	67	6	126	0	0	132	266
09:30 AM	1	0	4	0	5	5	55	3	0	63	58	0	0	0	58	10	145	0	0	155	281
09:45 AM	2	1	1	0	4	6	58	1	0	65	51	0	0	0	51	12	168	1	0	181	301
Total	8	3	14	0	25	26	216	7	0	249	260	0	0	0	260	31	593	1	0	625	1159
**BREAK**																					
04:00 PM	2	1	0	0	3	11	124	2	3	140	46	0	0	0	46	30	145	0	0	175	364
04:15 PM	0	2	1	0	3	9	137	0	2	148	34	1	0	0	35	53	138	1	0	192	378
04:30 PM	0	2	1	0	3	4	114	0	0	118	24	0	0	0	24	82	124	0	0	206	351
04:45 PM	0	0	1	0	1	10	109	3	0	122	28	0	0	0	28	40	105	6	0	151	302
Total	2	5	3	0	10	34	484	5	5	528	132	1	0	0	133	205	512	7	0	724	1395
05:00 PM	0	3	0	0	3	3	141	1	0	145	36	0	0	0	36	33	117	0	0	150	334
05:15 PM	3	1	2	0	6	4	111	2	0	117	34	1	0	0	35	12	111	0	0	123	281
05:30 PM	5	3	1	0	9	3	113	4	0	120	58	0	0	0	58	15	109	1	0	125	312

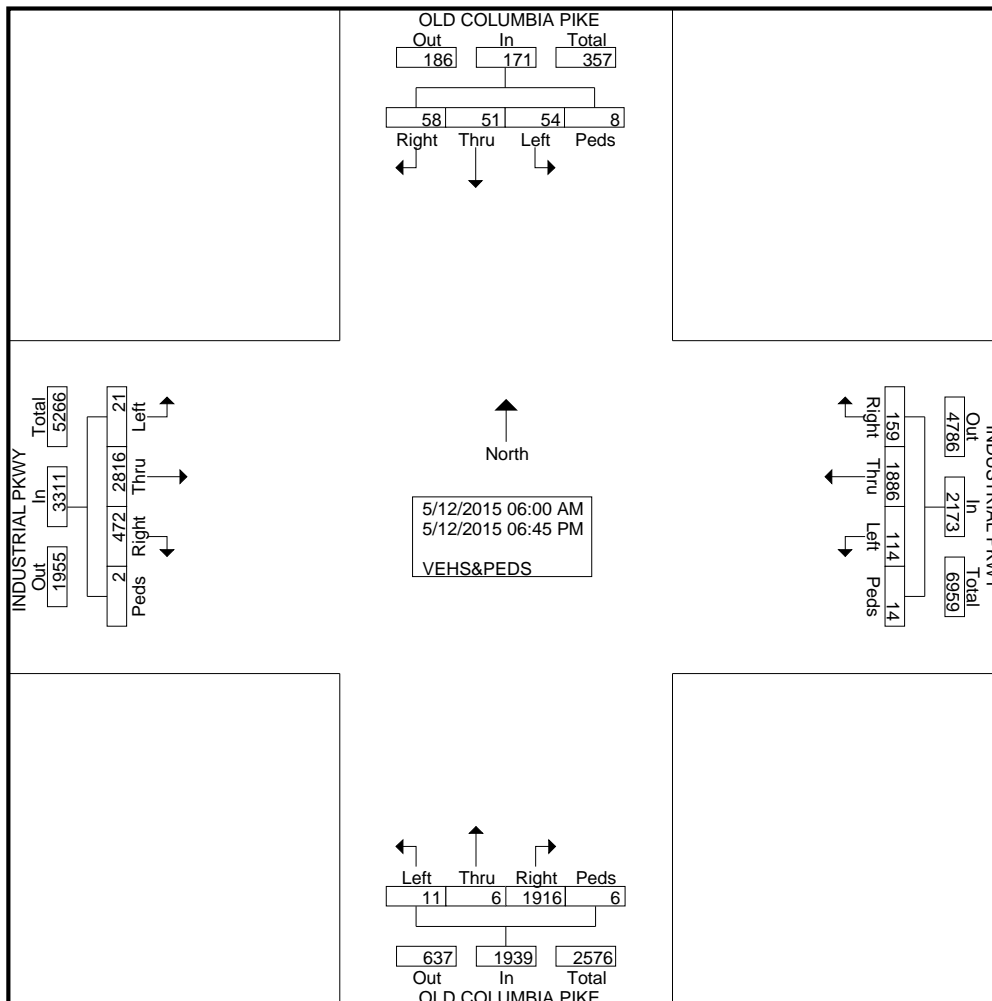
# Sabra, Wang & Assoc, Inc

7055 Samuel Morse Dr, Suite 100  
Columbia, MD 21046  
443-741-3500

File Name : Old Columbia Pike at Industrial Lane  
Site Code : 00000000  
Start Date : 5/12/2015  
Page No : 2

Groups Printed- VEHS&PEDS

Start Time	OLD COLUMBIA PIKE From North					INDUSTRIAL PKWY From East					OLD COLUMBIA PIKE From South					INDUSTRIAL PKWY From West					Int. Total
	Right	Thru	Left	Peds	App. Total	Right	Thru	Left	Peds	App. Total	Right	Thru	Left	Peds	App. Total	Right	Thru	Left	Peds	App. Total	
05:45 PM	3	4	1	2	10	1	92	6	1	100	31	0	0	0	31	16	99	0	0	115	256
Total	11	11	4	2	28	11	457	13	1	482	159	1	0	0	160	76	436	1	0	513	1183
06:00 PM	1	2	2	5	10	7	85	2	2	96	15	0	0	0	15	15	126	0	0	141	262
06:15 PM	0	4	2	0	6	5	66	2	0	73	24	1	0	0	25	18	123	0	0	141	245
06:30 PM	2	1	1	1	5	1	51	2	0	54	60	0	1	0	61	38	133	0	0	171	291
06:45 PM	1	3	2	0	6	0	43	0	0	43	53	0	0	0	53	22	151	0	0	173	275
Total	4	10	7	6	27	13	245	6	2	266	152	1	1	0	154	93	533	0	0	626	1073
Grand Total	58	51	54	8	171	159	1886	114	14	2173	1916	6	11	6	1939	472	2816	21	2	3311	7594
Apprch %	33.9	29.8	31.6	4.7		7.3	86.8	5.2	0.6		98.8	0.3	0.6	0.3		14.3	85	0.6	0.1		
Total %	0.8	0.7	0.7	0.1	2.3	2.1	24.8	1.5	0.2	28.6	25.2	0.1	0.1	0.1	25.5	6.2	37.1	0.3	0	43.6	



# Sabra, Wang & Assoc, Inc

7055 Samuel Morse Dr, Suite 100  
Columbia, MD 21046  
443-741-3500

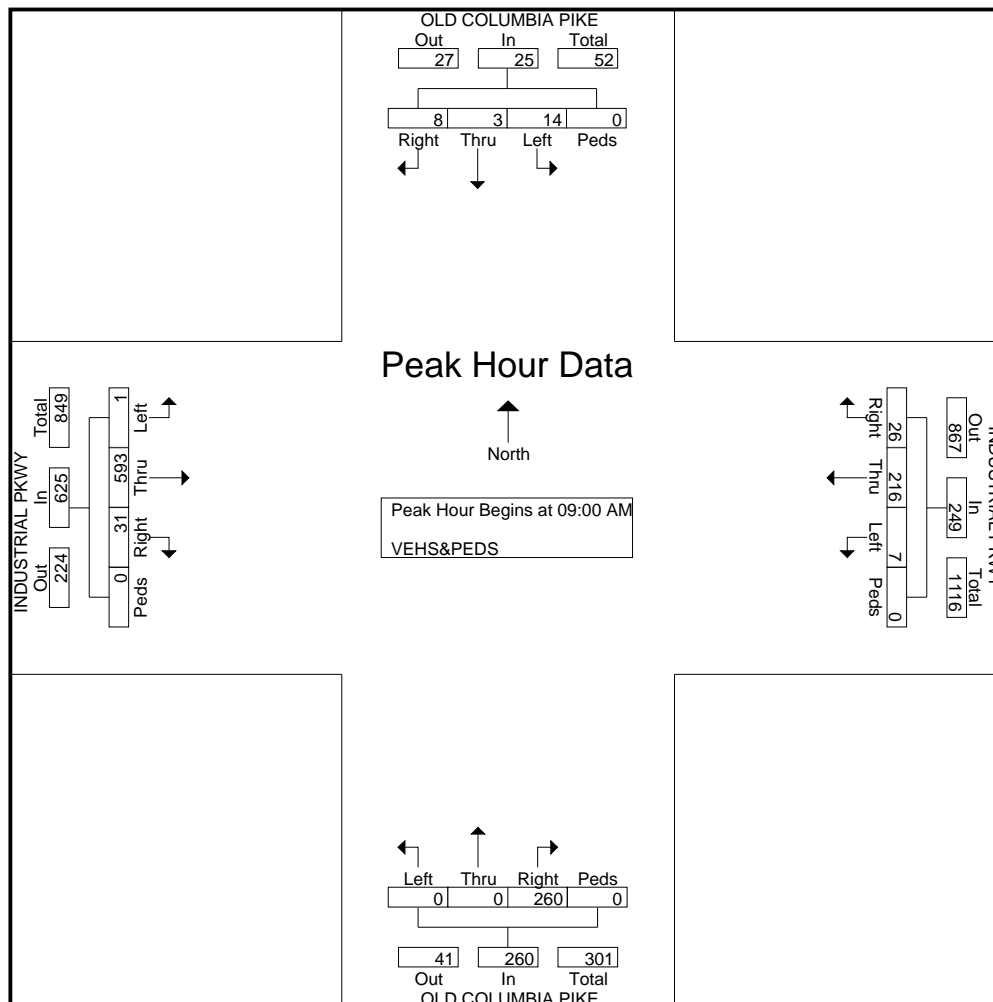
File Name : Old Columbia Pike at Industrial Lane  
Site Code : 00000000  
Start Date : 5/12/2015  
Page No : 3

Start Time	OLD COLUMBIA PIKE From North					INDUSTRIAL PKWY From East					OLD COLUMBIA PIKE From South					INDUSTRIAL PKWY From West					Int. Total
	Right	Thru	Left	Peds	App. Total	Right	Thru	Left	Peds	App. Total	Right	Thru	Left	Peds	App. Total	Right	Thru	Left	Peds	App. Total	

Peak Hour Analysis From 06:00 AM to 11:45 AM - Peak 1 of 1

Peak Hour for Entire Intersection Begins at 09:00 AM

09:00 AM	3	1	6	0	10	7	51	2	0	60	84	0	0	0	84	3	154	0	0	157	311
09:15 AM	2	1	3	0	6	8	52	1	0	61	67	0	0	0	67	6	126	0	0	132	266
09:30 AM	1	0	4	0	5	5	55	3	0	63	58	0	0	0	58	10	145	0	0	155	281
09:45 AM	2	1	1	0	4	6	58	1	0	65	51	0	0	0	51	12	168	1	0	181	301
Total Volume	8	3	14	0	25	26	216	7	0	249	260	0	0	0	260	31	593	1	0	625	1159
% App. Total	32	12	56	0		10.4	86.7	2.8	0		100	0	0	0		5	94.9	0.2	0		
PHF	.667	.750	.583	.000	.625	.813	.931	.583	.000	.958	.774	.000	.000	.000	.774	.646	.882	.250	.000	.863	.932



# Sabra, Wang & Assoc, Inc

7055 Samuel Morse Dr, Suite 100  
Columbia, MD 21046  
443-741-3500

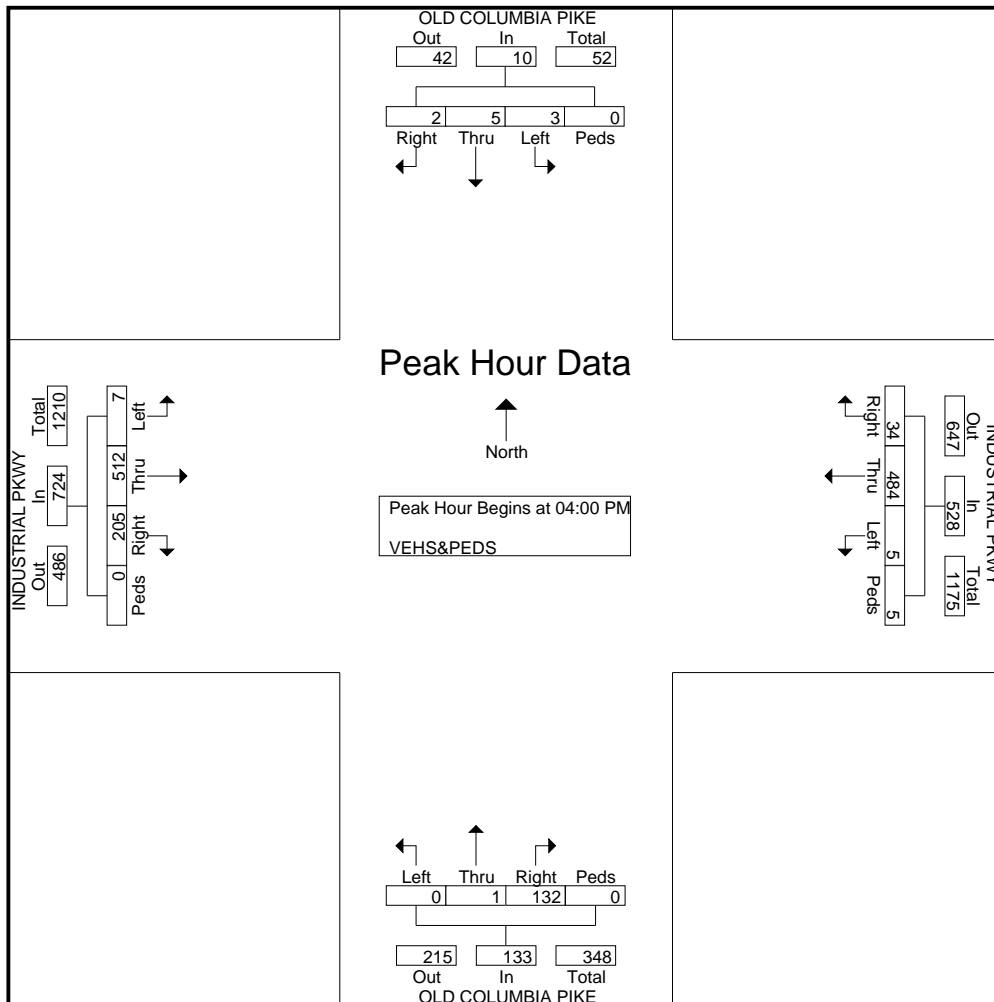
File Name : Old Columbia Pike at Industrial Lane  
Site Code : 00000000  
Start Date : 5/12/2015  
Page No : 4

Start Time	OLD COLUMBIA PIKE From North					INDUSTRIAL PKWY From East					OLD COLUMBIA PIKE From South					INDUSTRIAL PKWY From West					Int. Total
	Right	Thru	Left	Peds	App. Total	Right	Thru	Left	Peds	App. Total	Right	Thru	Left	Peds	App. Total	Right	Thru	Left	Peds	App. Total	

Peak Hour Analysis From 12:00 PM to 06:45 PM - Peak 1 of 1

Peak Hour for Entire Intersection Begins at 04:00 PM

04:00 PM	2	1	0	0	3	11	124	2	3	140	46	0	0	0	46	30	145	0	0	175	364
04:15 PM	0	2	1	0	3	9	137	0	2	148	34	1	0	0	35	53	138	1	0	192	378
04:30 PM	0	2	1	0	3	4	114	0	0	118	24	0	0	0	24	82	124	0	0	206	351
04:45 PM	0	0	1	0	1	10	109	3	0	122	28	0	0	0	28	40	105	6	0	151	302
Total Volume	2	5	3	0	10	34	484	5	5	528	132	1	0	0	133	205	512	7	0	724	1395
% App. Total	20	50	30	0		6.4	91.7	0.9	0.9		99.2	0.8	0	0		28.3	70.7	1	0		
PHF	.250	.625	.750	.000	.833	.773	.883	.417	.417	.892	.717	.250	.000	.000	.723	.625	.883	.292	.000	.879	.923





# Sabra, Wang & Assoc, Inc

7055 Samuel Morse Dr, Suite 100  
Columbia, MD 21046  
*443-741-3500*

Weather: SUNNY  
Counted By: HORACE & DARRELL  
Town: SILVER SPRING  
County: MONTGOMERY

File Name : Old Columbia Pike at Industrial Lane  
Site Code : 00000000  
Start Date : 5/12/2015  
Page No : 1

Groups Printed- UTurns

Start Time	OLD COLUMBIA PIKE From North					INDUSTRIAL PKWY From East					OLD COLUMBIA PIKE From South					INDUSTRIAL PKWY From West					Int. Total
	Right	Thru	Left	Peds	App. Total	Right	Thru	Left	Peds	App. Total	Right	Thru	Left	Peds	App. Total	Right	Thru	Left	Peds	App. Total	
**BREAK**																					
09:30 AM	0	0	0	0	0	0	0	1	0	1	0	0	0	0	0	0	0	0	0	0	1
**BREAK**																					
Total	0	0	0	0	0	0	0	1	0	1	0	0	0	0	0	0	0	0	0	0	1
**BREAK**																					
05:45 PM	0	0	0	0	0	0	0	1	0	1	0	0	0	0	0	0	0	0	0	0	1
Total	0	0	0	0	0	0	0	1	0	1	0	0	0	0	0	0	0	0	0	0	1
**BREAK**																					
Grand Total	0	0	0	0	0	0	0	2	0	2	0	0	0	0	0	0	0	0	0	0	2
Apprch %	0	0	0	0		0	0	100	0		0	0	0	0		0	0	0	0		
Total %	0	0	0	0	0	0	0	100	0	100	0	0	0	0	0	0	0	0	0	0	

# Sabra, Wang & Assoc, Inc

7055 Samuel Morse Dr, Suite 100  
Columbia, MD 21046

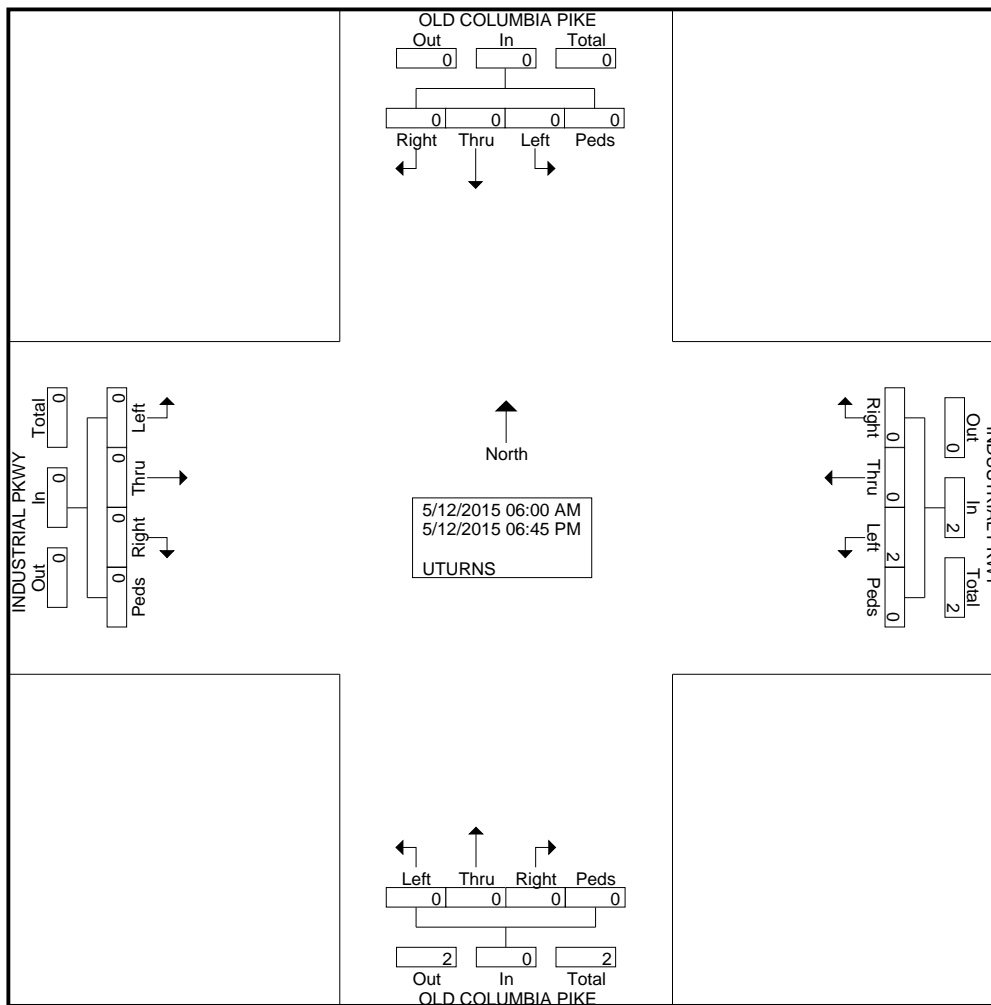
443-741-3500

File Name : Old Columbia Pike at Industrial Lane

Site Code : 00000000

Start Date : 5/12/2015

Page No : 2



# Sabra, Wang & Assoc, Inc

7055 Samuel Morse Dr, Suite 100  
Columbia, MD 21046

443-741-3500

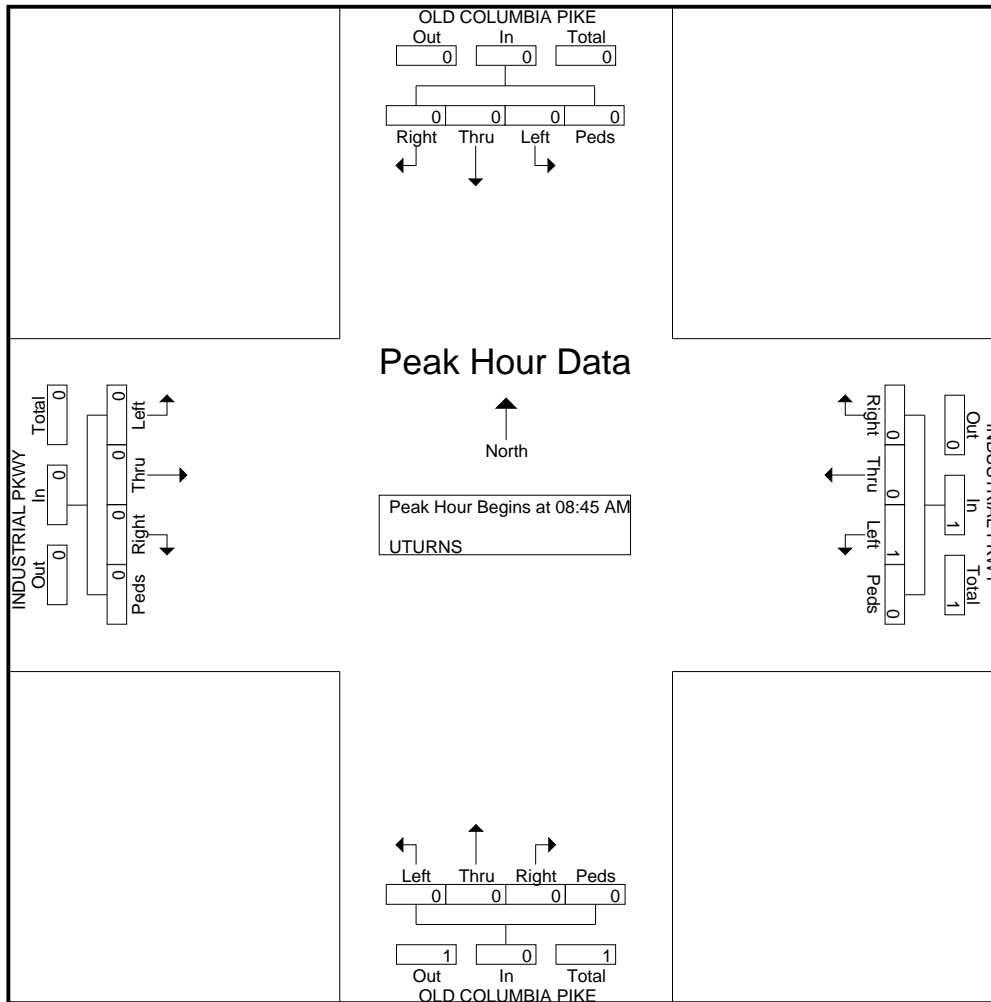
File Name : Old Columbia Pike at Industrial Lane

Site Code : 00000000

Start Date : 5/12/2015

Page No : 3

Start Time	OLD COLUMBIA PIKE From North					INDUSTRIAL PKWY From East					OLD COLUMBIA PIKE From South					INDUSTRIAL PKWY From West					Int. Total
	Right	Thru	Left	Peds	App. Total	Right	Thru	Left	Peds	App. Total	Right	Thru	Left	Peds	App. Total	Right	Thru	Left	Peds	App. Total	
Peak Hour Analysis From 06:00 AM to 11:45 AM - Peak 1 of 1																					
Peak Hour for Entire Intersection Begins at 08:45 AM																					
08:45 AM	0	0	0	0	0	0	0	0	0	0	0	0	0	0	0	0	0	0	0	0	0
09:00 AM	0	0	0	0	0	0	0	0	0	0	0	0	0	0	0	0	0	0	0	0	0
09:15 AM	0	0	0	0	0	0	0	0	0	0	0	0	0	0	0	0	0	0	0	0	0
09:30 AM	0	0	0	0	0	0	0	1	0	1	0	0	0	0	0	0	0	0	0	0	1
Total Volume	0	0	0	0	0	0	0	1	0	1	0	0	0	0	0	0	0	0	0	0	1
% App. Total	0	0	0	0	0	0	0	100	0	0	0	0	0	0	0	0	0	0	0	0	0
PHF	.000	.000	.000	.000	.000	.000	.000	.250	.000	.250	.000	.000	.000	.000	.000	.000	.000	.000	.000	.000	.250



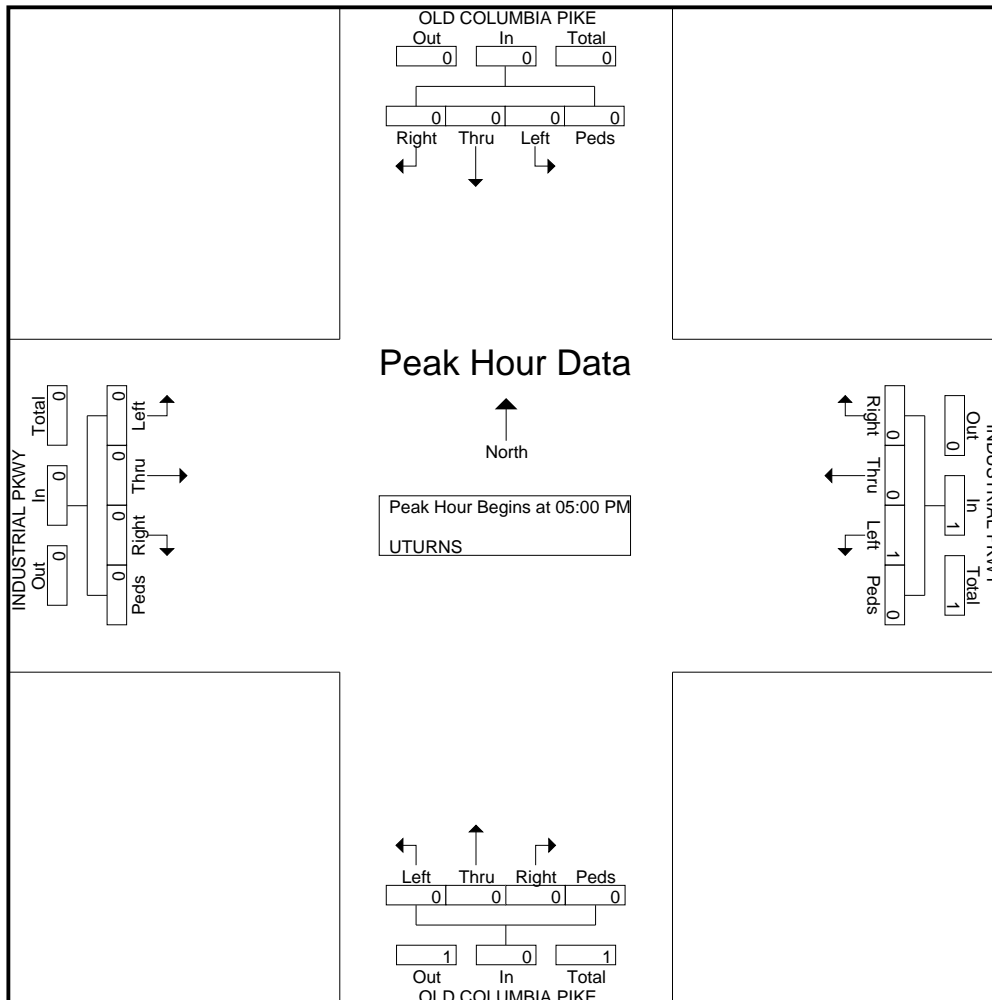
# Sabra, Wang & Assoc, Inc

7055 Samuel Morse Dr, Suite 100  
Columbia, MD 21046  
443-741-3500

File Name : Old Columbia Pike at Industrial Lane  
Site Code : 00000000  
Start Date : 5/12/2015  
Page No : 4

Start Time	OLD COLUMBIA PIKE From North					INDUSTRIAL PKWY From East					OLD COLUMBIA PIKE From South					INDUSTRIAL PKWY From West					Int. Total
	Right	Thru	Left	Peds	App. Total	Right	Thru	Left	Peds	App. Total	Right	Thru	Left	Peds	App. Total	Right	Thru	Left	Peds	App. Total	
05:00 PM	0	0	0	0	0	0	0	0	0	0	0	0	0	0	0	0	0	0	0	0	0
05:15 PM	0	0	0	0	0	0	0	0	0	0	0	0	0	0	0	0	0	0	0	0	0
05:30 PM	0	0	0	0	0	0	0	0	0	0	0	0	0	0	0	0	0	0	0	0	0
05:45 PM	0	0	0	0	0	0	0	1	0	1	0	0	0	0	0	0	0	0	0	0	1
Total Volume	0	0	0	0	0	0	0	1	0	1	0	0	0	0	0	0	0	0	0	0	1
% App. Total	0	0	0	0		0	0	100	0		0	0	0	0		0	0	0	0		
PHF	.000	.000	.000	.000	.000	.000	.000	.250	.000	.250	.000	.000	.000	.000	.000	.000	.000	.000	.000	.000	.250

Peak Hour Analysis From 12:00 PM to 06:45 PM - Peak 1 of 1  
Peak Hour for Entire Intersection Begins at 05:00 PM



# Sabra, Wang & Assoc, Inc

7055 Samuel Morse Dr, Suite 100  
Columbia, MD 21046  
*443-741-3500*

Weather: SUNNY  
Counted By: HORACE & DARRELL  
Town: SILVER SPRING  
County: MONTGOMERY

File Name : Old Columbia Pike at Industrial Lane  
Site Code : 00000000  
Start Date : 5/12/2015  
Page No : 1

Groups Printed- BICYCLES

Start Time	OLD COLUMBIA PIKE From North					INDUSTRIAL PKWY From East					OLD COLUMBIA PIKE From South					INDUSTRIAL PKWY From West					Int. Total
	Right	Thru	Left	Peds	App. Total	Right	Thru	Left	Peds	App. Total	Right	Thru	Left	Peds	App. Total	Right	Thru	Left	Peds	App. Total	
**BREAK**																					
09:30 AM	0	0	0	0	0	0	1	0	0	1	0	0	0	0	0	0	0	0	0	0	1
**BREAK**																					
Total	0	0	0	0	0	0	1	0	0	1	0	0	0	0	0	0	0	0	0	0	1
**BREAK**																					
05:00 PM	0	1	0	0	1	0	0	0	0	0	0	0	0	0	0	0	0	0	0	0	1
**BREAK**																					
Total	0	1	0	0	1	0	0	0	0	0	0	0	0	0	0	0	0	0	0	0	1
**BREAK**																					
Grand Total	0	1	0	0	1	0	1	0	0	1	0	0	0	0	0	0	0	0	0	0	2
Apprch %	0	100	0	0		0	100	0	0		0	0	0	0		0	0	0	0		
Total %	0	50	0	0	50	0	50	0	0	50	0	0	0	0	0	0	0	0	0	0	

# Sabra, Wang & Assoc, Inc

7055 Samuel Morse Dr, Suite 100  
Columbia, MD 21046

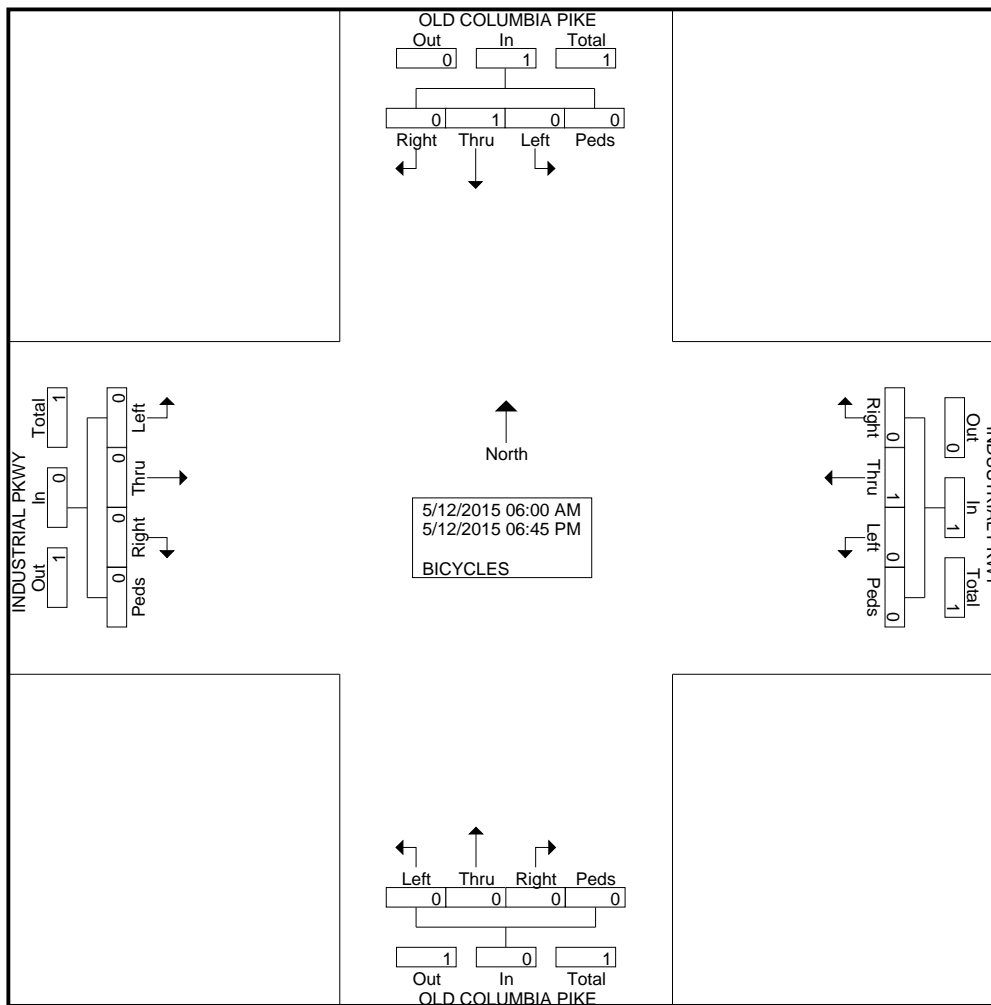
443-741-3500

File Name : Old Columbia Pike at Industrial Lane

Site Code : 00000000

Start Date : 5/12/2015

Page No : 2



# Sabra, Wang & Assoc, Inc

7055 Samuel Morse Dr, Suite 100  
Columbia, MD 21046

443-741-3500

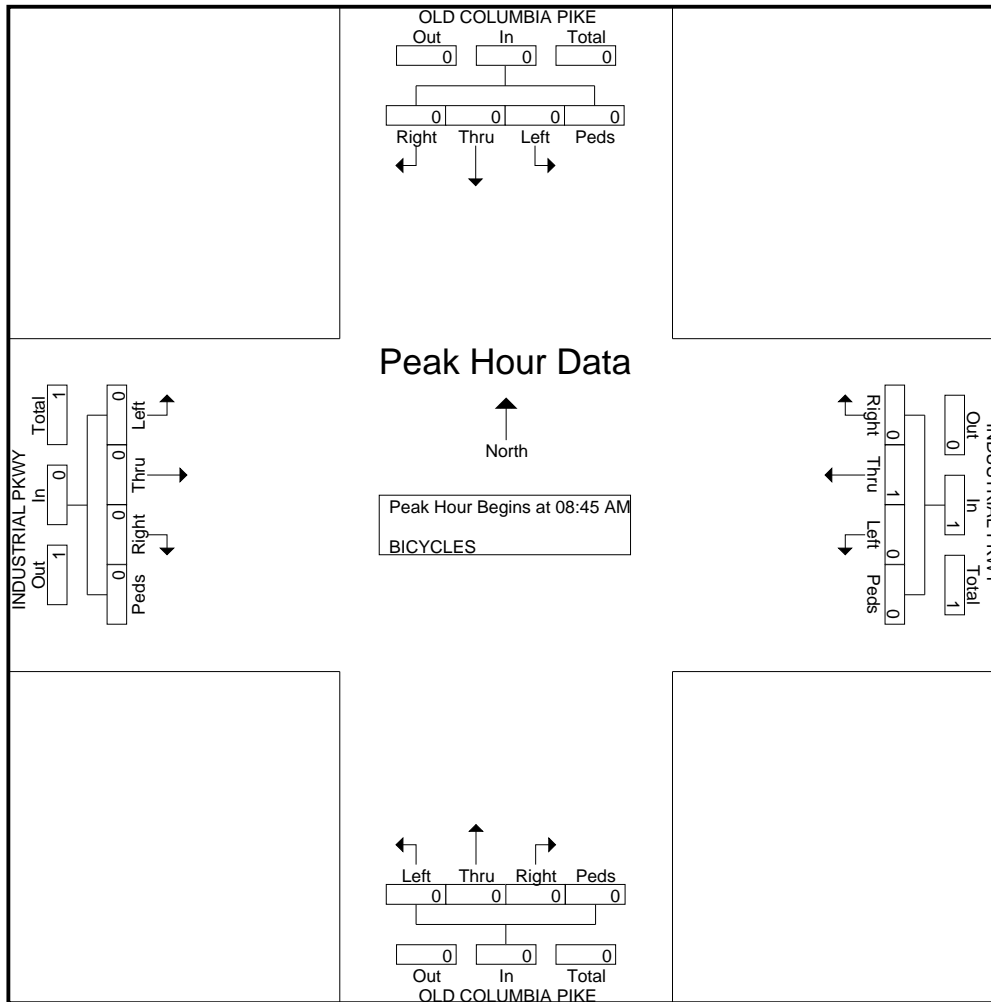
File Name : Old Columbia Pike at Industrial Lane

Site Code : 00000000

Start Date : 5/12/2015

Page No : 3

Start Time	OLD COLUMBIA PIKE From North					INDUSTRIAL PKWY From East					OLD COLUMBIA PIKE From South					INDUSTRIAL PKWY From West					Int. Total
	Right	Thru	Left	Peds	App. Total	Right	Thru	Left	Peds	App. Total	Right	Thru	Left	Peds	App. Total	Right	Thru	Left	Peds	App. Total	
Peak Hour Analysis From 06:00 AM to 11:45 AM - Peak 1 of 1																					
Peak Hour for Entire Intersection Begins at 08:45 AM																					
08:45 AM	0	0	0	0	0	0	0	0	0	0	0	0	0	0	0	0	0	0	0	0	0
09:00 AM	0	0	0	0	0	0	0	0	0	0	0	0	0	0	0	0	0	0	0	0	0
09:15 AM	0	0	0	0	0	0	0	0	0	0	0	0	0	0	0	0	0	0	0	0	0
09:30 AM	0	0	0	0	0	0	1	0	0	1	0	0	0	0	0	0	0	0	0	0	1
Total Volume	0	0	0	0	0	0	1	0	0	1	0	0	0	0	0	0	0	0	0	0	1
% App. Total	0	0	0	0	0	0	100	0	0	0	0	0	0	0	0	0	0	0	0	0	0
PHF	.000	.000	.000	.000	.000	.000	.250	.000	.000	.250	.000	.000	.000	.000	.000	.000	.000	.000	.000	.000	.250



# Sabra, Wang & Assoc, Inc

7055 Samuel Morse Dr, Suite 100  
Columbia, MD 21046  
443-741-3500

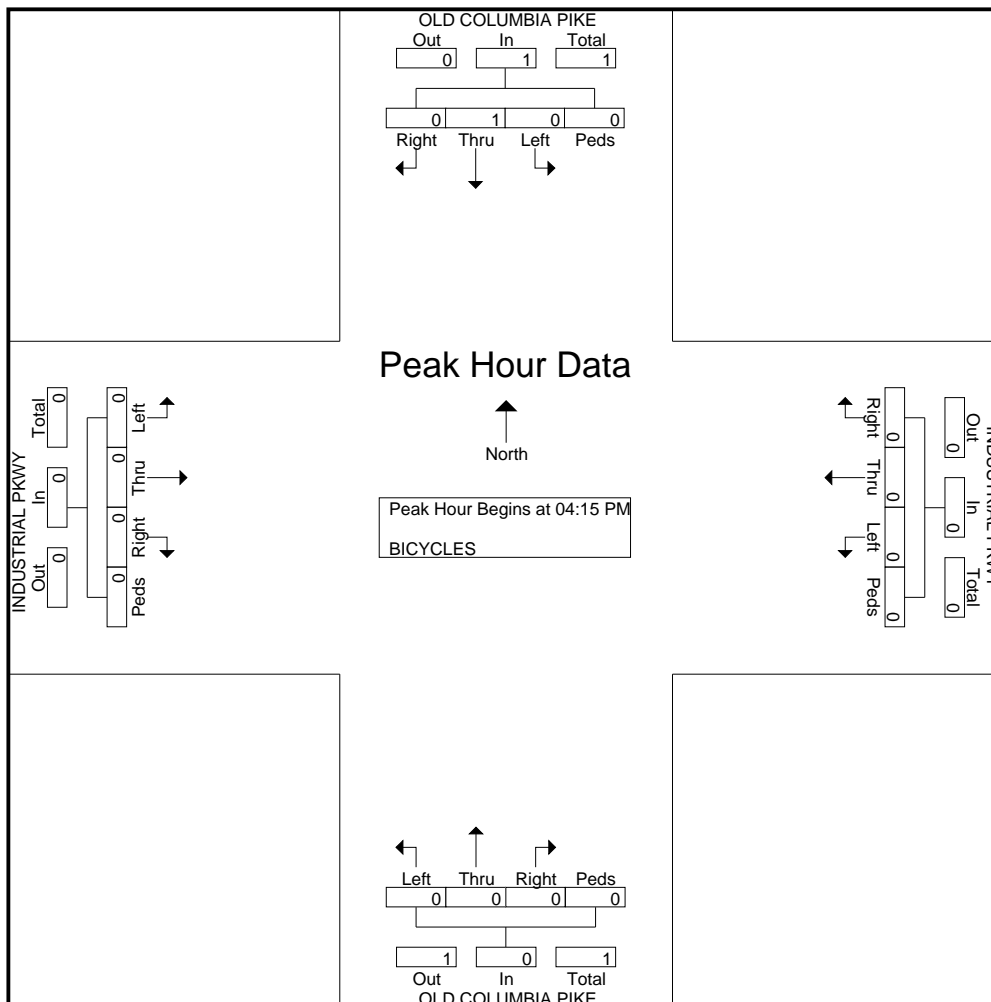
File Name : Old Columbia Pike at Industrial Lane  
Site Code : 00000000  
Start Date : 5/12/2015  
Page No : 4

Start Time	OLD COLUMBIA PIKE From North					INDUSTRIAL PKWY From East					OLD COLUMBIA PIKE From South					INDUSTRIAL PKWY From West					Int. Total
	Right	Thru	Left	Peds	App. Total	Right	Thru	Left	Peds	App. Total	Right	Thru	Left	Peds	App. Total	Right	Thru	Left	Peds	App. Total	

Peak Hour Analysis From 12:00 PM to 06:45 PM - Peak 1 of 1

Peak Hour for Entire Intersection Begins at 04:15 PM

04:15 PM	0	0	0	0	0	0	0	0	0	0	0	0	0	0	0	0	0	0	0	0	0
04:30 PM	0	0	0	0	0	0	0	0	0	0	0	0	0	0	0	0	0	0	0	0	0
04:45 PM	0	0	0	0	0	0	0	0	0	0	0	0	0	0	0	0	0	0	0	0	0
05:00 PM	0	1	0	0	1	0	0	0	0	0	0	0	0	0	0	0	0	0	0	0	1
Total Volume	0	1	0	0	1	0	0	0	0	0	0	0	0	0	0	0	0	0	0	0	1
% App. Total	0	100	0	0		0	0	0	0		0	0	0	0		0	0	0	0		
PHF	.000	.250	.000	.000	.250	.000	.000	.000	.000	.000	.000	.000	.000	.000	.000	.000	.000	.000	.000	.000	.250





# Sabra, Wang & Assoc, Inc

7055 Samuel Morse Dr, Suite 100  
Columbia, MD 21046  
443-741-3500

Weather: SUNNY  
Counted By: MIKE & DEB  
Town: SILVER SPRING  
County: MONTGOMERY

File Name : Old Columbia Pike at Stewart Ln  
Site Code : 00000000  
Start Date : 5/14/2015  
Page No : 1

## Groups Printed- VEHS&PEDS

Start Time	OLD COLUMBIA PIKE From North					STEWART LN From East					OLD COLUMBIA PIKE From South					STEWART LN From West					Int. Total
	Right	Thru	Left	Peds	App. Total	Right	Thru	Left	Peds	App. Total	Right	Thru	Left	Peds	App. Total	Right	Thru	Left	Peds	App. Total	
06:00 AM	18	8	1	0	27	32	0	0	1	33	0	12	0	0	12	11	15	4	0	30	102
06:15 AM	24	7	1	0	32	40	0	2	5	47	4	15	0	0	19	6	27	6	0	39	137
06:30 AM	29	7	3	2	41	49	0	4	6	59	5	16	0	1	22	6	31	10	0	47	169
06:45 AM	25	14	2	1	42	49	0	4	4	57	0	7	0	1	8	11	22	7	0	40	147
Total	96	36	7	3	142	170	0	10	16	196	9	50	0	2	61	34	95	27	0	156	555
07:00 AM	23	17	2	1	43	51	0	6	3	60	1	12	0	1	14	15	30	4	0	49	166
07:15 AM	26	16	5	1	48	43	1	5	5	54	6	11	0	3	20	16	28	11	0	55	177
07:30 AM	20	15	3	0	38	61	0	5	3	69	3	9	0	0	12	37	35	13	0	85	204
07:45 AM	22	22	3	1	48	39	0	3	5	47	3	12	0	0	15	27	35	8	0	70	180
Total	91	70	13	3	177	194	1	19	16	230	13	44	0	4	61	95	128	36	0	259	727
08:00 AM	18	11	3	0	32	44	0	4	5	53	3	10	0	0	13	31	51	9	0	91	189
08:15 AM	22	11	5	1	39	60	0	1	3	64	4	19	0	1	24	24	43	7	0	74	201
08:30 AM	31	17	5	1	54	45	0	4	1	50	2	25	0	0	27	24	39	11	0	74	205
08:45 AM	21	5	4	0	30	43	0	2	6	51	3	14	0	0	17	42	67	15	0	124	222
Total	92	44	17	2	155	192	0	11	15	218	12	68	0	1	81	121	200	42	0	363	817
09:00 AM	15	10	0	2	27	42	0	7	7	56	2	17	0	1	20	33	43	9	0	85	188
09:15 AM	12	6	1	1	20	33	0	0	0	33	4	11	0	1	16	20	46	12	0	78	147
09:30 AM	13	3	1	0	17	23	0	3	8	34	4	21	0	0	25	31	43	13	0	87	163
09:45 AM	7	7	1	0	15	47	0	4	3	54	3	20	0	0	23	25	27	11	0	63	155
Total	47	26	3	3	79	145	0	14	18	177	13	69	0	2	84	109	159	45	0	313	653
**BREAK**																					
04:00 PM	15	8	1	1	25	58	0	2	7	67	4	39	0	3	46	32	56	25	0	113	251
04:15 PM	10	6	0	1	17	48	0	2	3	53	4	30	0	1	35	34	63	27	0	124	229
04:30 PM	19	5	1	1	26	33	0	3	13	49	7	35	0	2	44	38	69	32	0	139	258
04:45 PM	16	5	2	1	24	39	0	1	6	46	10	43	0	2	55	32	55	22	0	109	234
Total	60	24	4	4	92	178	0	8	29	215	25	147	0	8	180	136	243	106	0	485	972
05:00 PM	18	9	3	0	30	33	0	3	6	42	6	41	1	6	54	31	53	18	0	102	228
05:15 PM	13	3	1	0	17	35	0	3	5	43	13	38	0	3	54	35	62	29	0	126	240
05:30 PM	12	4	2	0	18	34	0	1	2	37	6	33	0	1	40	35	52	27	0	114	209

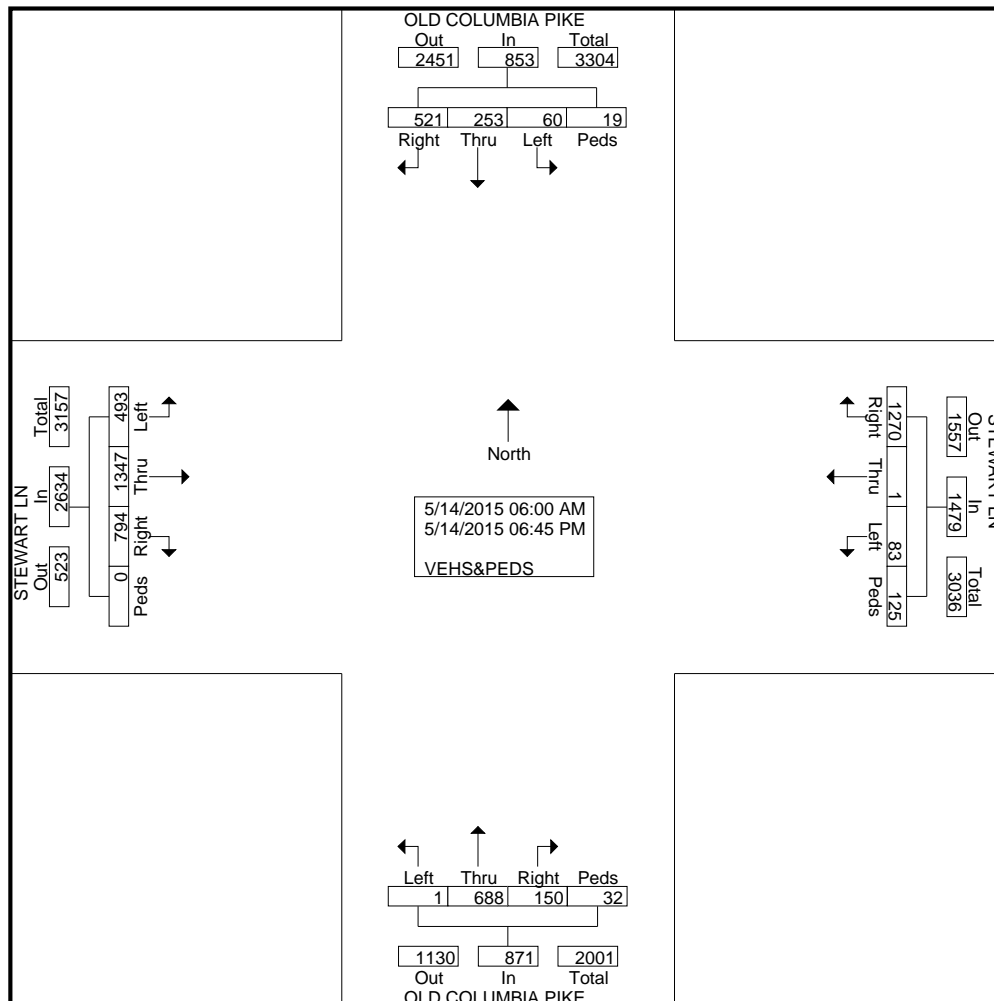
# Sabra, Wang & Assoc, Inc

7055 Samuel Morse Dr, Suite 100  
Columbia, MD 21046  
443-741-3500

File Name : Old Columbia Pike at Stewart Ln  
Site Code : 00000000  
Start Date : 5/14/2015  
Page No : 2

Groups Printed- VEHS&PEDS

Start Time	OLD COLUMBIA PIKE From North					STEWART LN From East					OLD COLUMBIA PIKE From South					STEWART LN From West					Int. Total
	Right	Thru	Left	Peds	App. Total	Right	Thru	Left	Peds	App. Total	Right	Thru	Left	Peds	App. Total	Right	Thru	Left	Peds	App. Total	
05:45 PM	13	8	1	1	23	60	0	4	2	66	10	40	0	2	52	53	69	31	0	153	294
Total	56	24	7	1	88	162	0	11	15	188	35	152	1	12	200	154	236	105	0	495	971
06:00 PM	19	11	3	1	34	54	0	0	5	59	9	41	0	3	53	33	74	27	0	134	280
06:15 PM	17	9	2	0	28	61	0	4	4	69	19	40	0	0	59	39	84	40	0	163	319
06:30 PM	22	6	4	1	33	61	0	3	3	67	8	38	0	0	46	38	61	30	0	129	275
06:45 PM	21	3	0	1	25	53	0	3	4	60	7	39	0	0	46	35	67	35	0	137	268
Total	79	29	9	3	120	229	0	10	16	255	43	158	0	3	204	145	286	132	0	563	1142
Grand Total	521	253	60	19	853	1270	1	83	125	1479	150	688	1	32	871	794	1347	493	0	2634	5837
Apprch %	61.1	29.7	7	2.2		85.9	0.1	5.6	8.5		17.2	79	0.1	3.7		30.1	51.1	18.7	0		
Total %	8.9	4.3	1	0.3	14.6	21.8	0	1.4	2.1	25.3	2.6	11.8	0	0.5	14.9	13.6	23.1	8.4	0	45.1	



# Sabra, Wang & Assoc, Inc

7055 Samuel Morse Dr, Suite 100  
Columbia, MD 21046  
443-741-3500

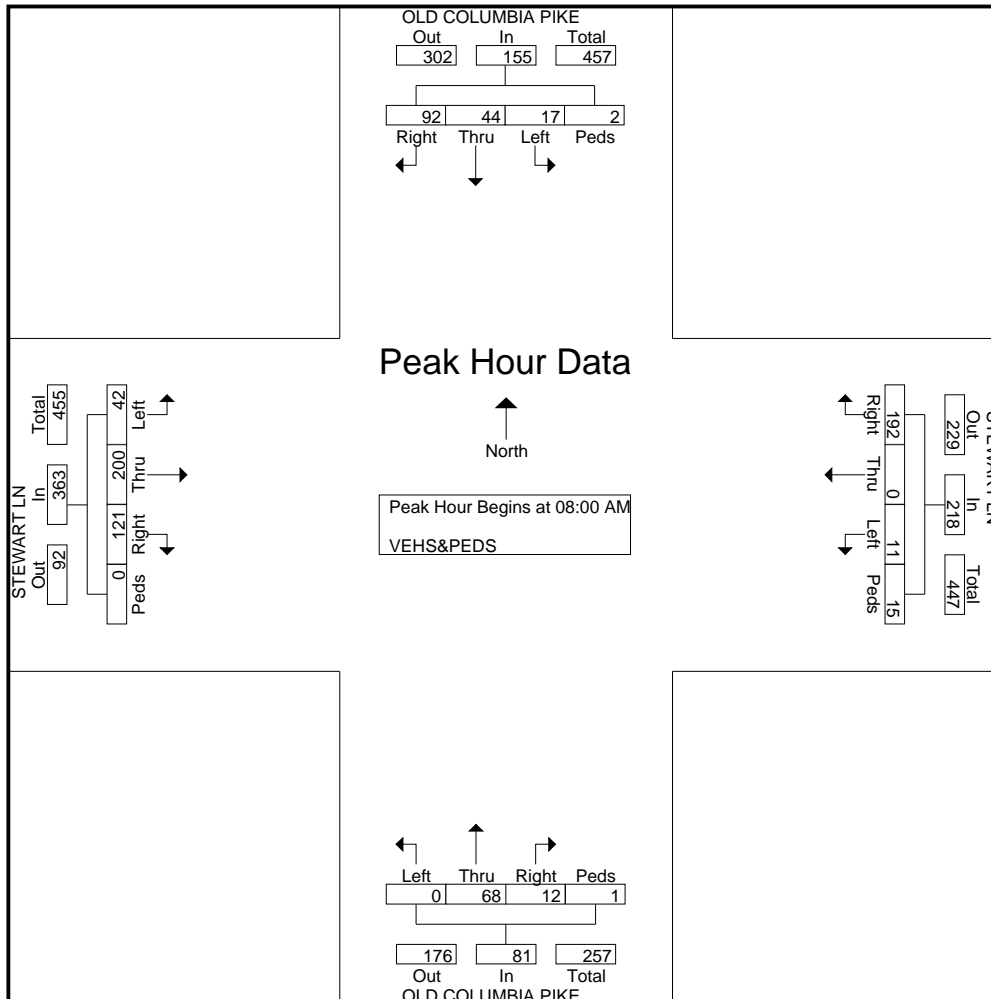
File Name : Old Columbia Pike at Stewart Ln  
Site Code : 00000000  
Start Date : 5/14/2015  
Page No : 3

Start Time	OLD COLUMBIA PIKE From North					STEWART LN From East					OLD COLUMBIA PIKE From South					STEWART LN From West					Int. Total
	Right	Thru	Left	Peds	App. Total	Right	Thru	Left	Peds	App. Total	Right	Thru	Left	Peds	App. Total	Right	Thru	Left	Peds	App. Total	

Peak Hour Analysis From 06:00 AM to 11:45 AM - Peak 1 of 1

Peak Hour for Entire Intersection Begins at 08:00 AM

08:00 AM	18	11	3	0	32	44	0	4	5	53	3	10	0	0	13	31	51	9	0	91	189
08:15 AM	22	11	5	1	39	60	0	1	3	64	4	19	0	1	24	24	43	7	0	74	201
08:30 AM	31	17	5	1	54	45	0	4	1	50	2	25	0	0	27	24	39	11	0	74	205
08:45 AM	21	5	4	0	30	43	0	2	6	51	3	14	0	0	17	42	67	15	0	124	222
Total Volume	92	44	17	2	155	192	0	11	15	218	12	68	0	1	81	121	200	42	0	363	817
% App. Total	59.4	28.4	11	1.3		88.1	0	5	6.9		14.8	84	0	1.2		33.3	55.1	11.6	0		
PHF	.742	.647	.850	.500	.718	.800	.000	.688	.625	.852	.750	.680	.000	.250	.750	.720	.746	.700	.000	.732	.920



# Sabra, Wang & Assoc, Inc

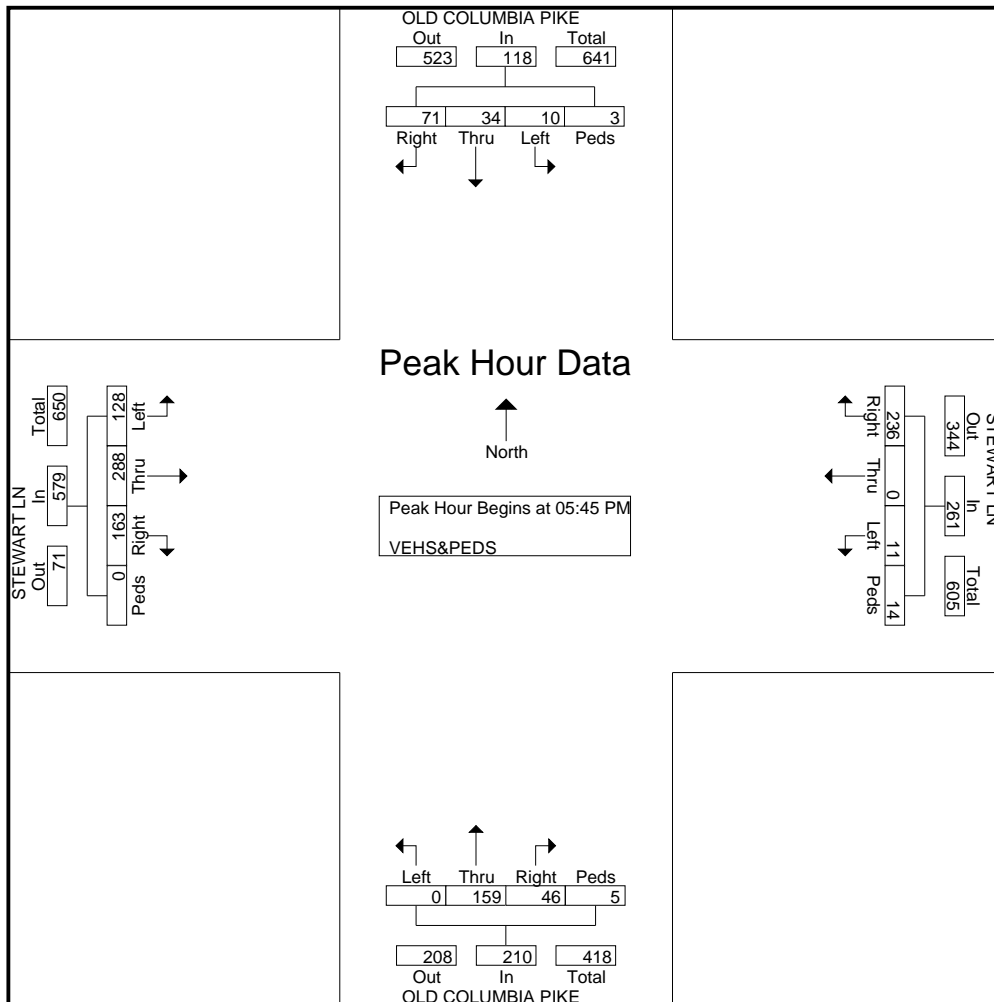
7055 Samuel Morse Dr, Suite 100  
Columbia, MD 21046  
443-741-3500

File Name : Old Columbia Pike at Stewart Ln  
Site Code : 00000000  
Start Date : 5/14/2015  
Page No : 4

Start Time	OLD COLUMBIA PIKE From North					STEWART LN From East					OLD COLUMBIA PIKE From South					STEWART LN From West					Int. Total
	Right	Thru	Left	Peds	App. Total	Right	Thru	Left	Peds	App. Total	Right	Thru	Left	Peds	App. Total	Right	Thru	Left	Peds	App. Total	
05:45 PM	13	8	1	1	23	60	0	4	2	66	10	40	0	2	52	53	69	31	0	153	294
06:00 PM	19	11	3	1	34	54	0	0	5	59	9	41	0	3	53	33	74	27	0	134	280
06:15 PM	17	9	2	0	28	61	0	4	4	69	19	40	0	0	59	39	84	40	0	163	319
06:30 PM	22	6	4	1	33	61	0	3	3	67	8	38	0	0	46	38	61	30	0	129	275
Total Volume	71	34	10	3	118	236	0	11	14	261	46	159	0	5	210	163	288	128	0	579	1168
% App. Total	60.2	28.8	8.5	2.5		90.4	0	4.2	5.4		21.9	75.7	0	2.4		28.2	49.7	22.1	0		
PHF	.807	.773	.625	.750	.868	.967	.000	.688	.700	.946	.605	.970	.000	.417	.890	.769	.857	.800	.000	.888	.915

Peak Hour Analysis From 12:00 PM to 06:45 PM - Peak 1 of 1

Peak Hour for Entire Intersection Begins at 05:45 PM



# Sabra, Wang & Assoc, Inc

7055 Samuel Morse Dr, Suite 100  
Columbia, MD 21046

443-741-3500

Weather: SUNNY  
Counted By: MIKE & DEB  
Town: SILVER SPRING  
County: MONTGOMERY

File Name : Old Columbia Pike at Stewart Ln  
Site Code : 00000000  
Start Date : 5/14/2015  
Page No : 1

Groups Printed- UURNS

Start Time	OLD COLUMBIA PIKE From North					STEWART LN From East					OLD COLUMBIA PIKE From South					STEWART LN From West					Int. Total
	Right	Thru	Left	Peds	App. Total	Right	Thru	Left	Peds	App. Total	Right	Thru	Left	Peds	App. Total	Right	Thru	Left	Peds	App. Total	
**BREAK**																					
06:45 AM	0	0	1	0	1	0	0	0	0	0	0	0	0	0	0	0	0	0	0	0	1
Total	0	0	1	0	1	0	0	0	0	0	0	0	0	0	0	0	0	0	0	0	1
**BREAK**																					
07:45 AM	0	0	1	0	1	0	0	0	0	0	0	0	0	0	0	0	0	0	0	0	1
Total	0	0	1	0	1	0	0	0	0	0	0	0	0	0	0	0	0	0	0	0	1
08:00 AM	0	0	1	0	1	0	0	0	0	0	0	0	0	0	0	0	0	0	0	0	1
**BREAK**																					
Total	0	0	1	0	1	0	0	0	0	0	0	0	0	0	0	0	0	0	0	0	1
**BREAK**																					
09:30 AM	0	0	1	0	1	0	0	0	0	0	0	0	0	0	0	0	0	0	0	0	1
**BREAK**																					
Total	0	0	1	0	1	0	0	0	0	0	0	0	0	0	0	0	0	0	0	0	1
**BREAK**																					
Grand Total	0	0	4	0	4	0	0	0	0	0	0	0	0	0	0	0	0	0	0	0	4
Apprch %	0	0	100	0		0	0	0	0		0	0	0	0		0	0	0	0		
Total %	0	0	100	0	100	0	0	0	0	0	0	0	0	0	0	0	0	0	0	0	

# Sabra, Wang & Assoc, Inc

7055 Samuel Morse Dr, Suite 100  
Columbia, MD 21046

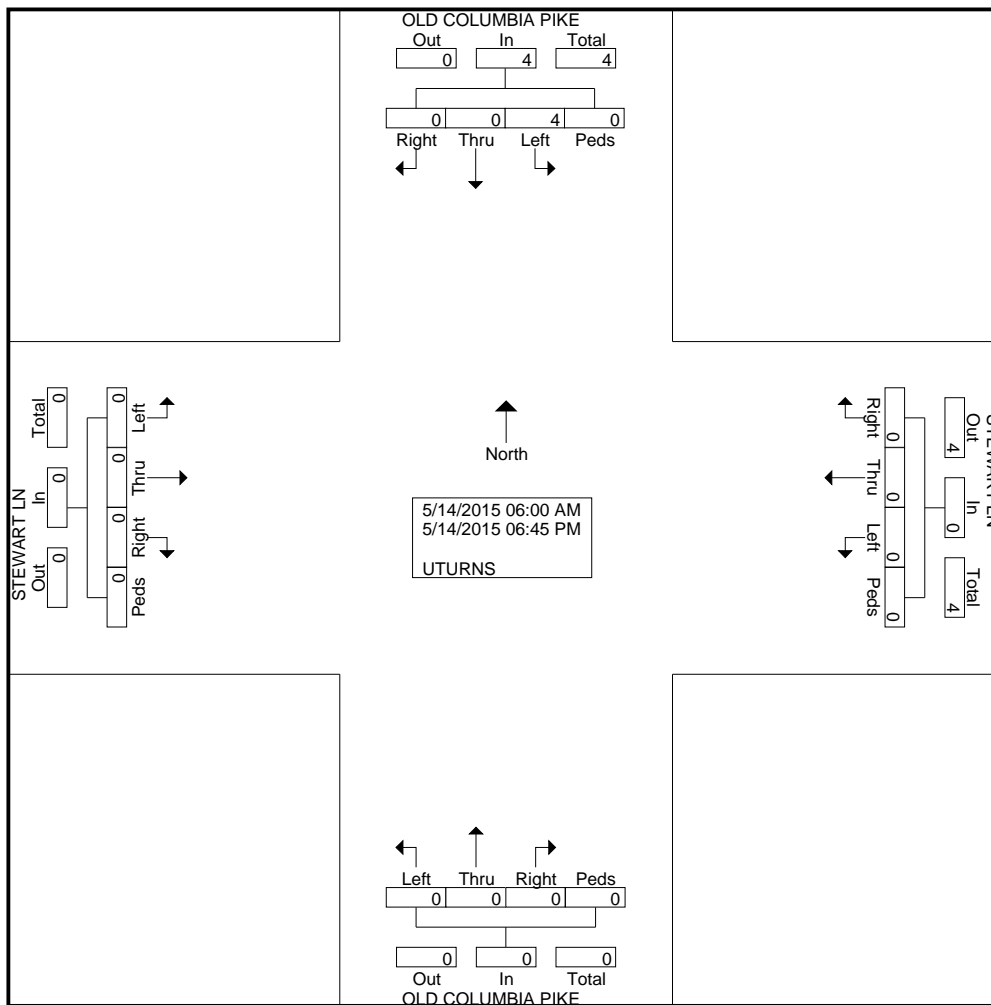
443-741-3500

File Name : Old Columbia Pike at Stewart Ln

Site Code : 00000000

Start Date : 5/14/2015

Page No : 2

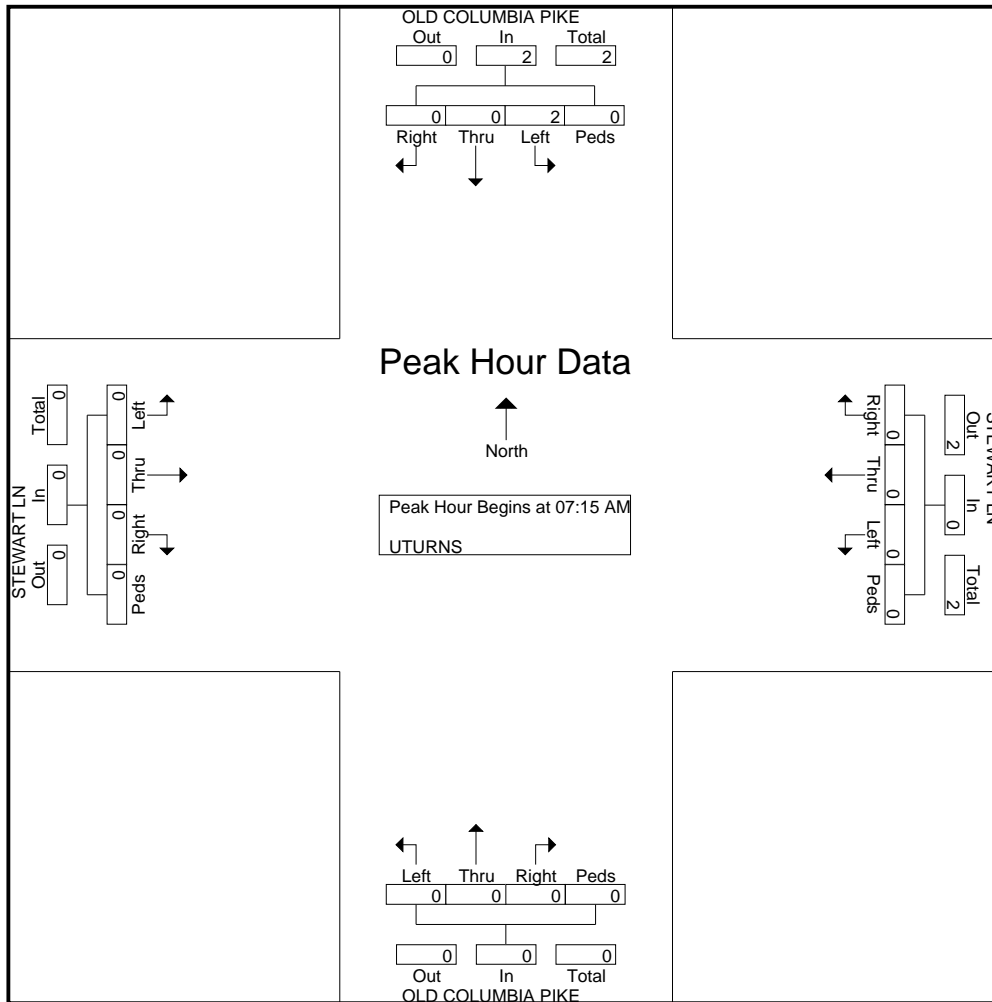


# Sabra, Wang & Assoc, Inc

7055 Samuel Morse Dr, Suite 100  
Columbia, MD 21046  
443-741-3500

File Name : Old Columbia Pike at Stewart Ln  
Site Code : 00000000  
Start Date : 5/14/2015  
Page No : 3

Start Time	OLD COLUMBIA PIKE From North					STEWART LN From East					OLD COLUMBIA PIKE From South					STEWART LN From West					Int. Total
	Right	Thru	Left	Peds	App. Total	Right	Thru	Left	Peds	App. Total	Right	Thru	Left	Peds	App. Total	Right	Thru	Left	Peds	App. Total	
Peak Hour Analysis From 06:00 AM to 11:45 AM - Peak 1 of 1																					
Peak Hour for Entire Intersection Begins at 07:15 AM																					
07:15 AM	0	0	0	0	0	0	0	0	0	0	0	0	0	0	0	0	0	0	0	0	0
07:30 AM	0	0	0	0	0	0	0	0	0	0	0	0	0	0	0	0	0	0	0	0	0
07:45 AM	0	0	1	0	1	0	0	0	0	0	0	0	0	0	0	0	0	0	0	0	1
08:00 AM	0	0	1	0	1	0	0	0	0	0	0	0	0	0	0	0	0	0	0	0	1
Total Volume	0	0	2	0	2	0	0	0	0	0	0	0	0	0	0	0	0	0	0	0	2
% App. Total	0	0	100	0		0	0	0	0		0	0	0	0		0	0	0	0		
PHF	.000	.000	.500	.000	.500	.000	.000	.000	.000	.000	.000	.000	.000	.000	.000	.000	.000	.000	.000	.000	.500



# Sabra, Wang & Assoc, Inc

7055 Samuel Morse Dr, Suite 100  
Columbia, MD 21046  
443-741-3500

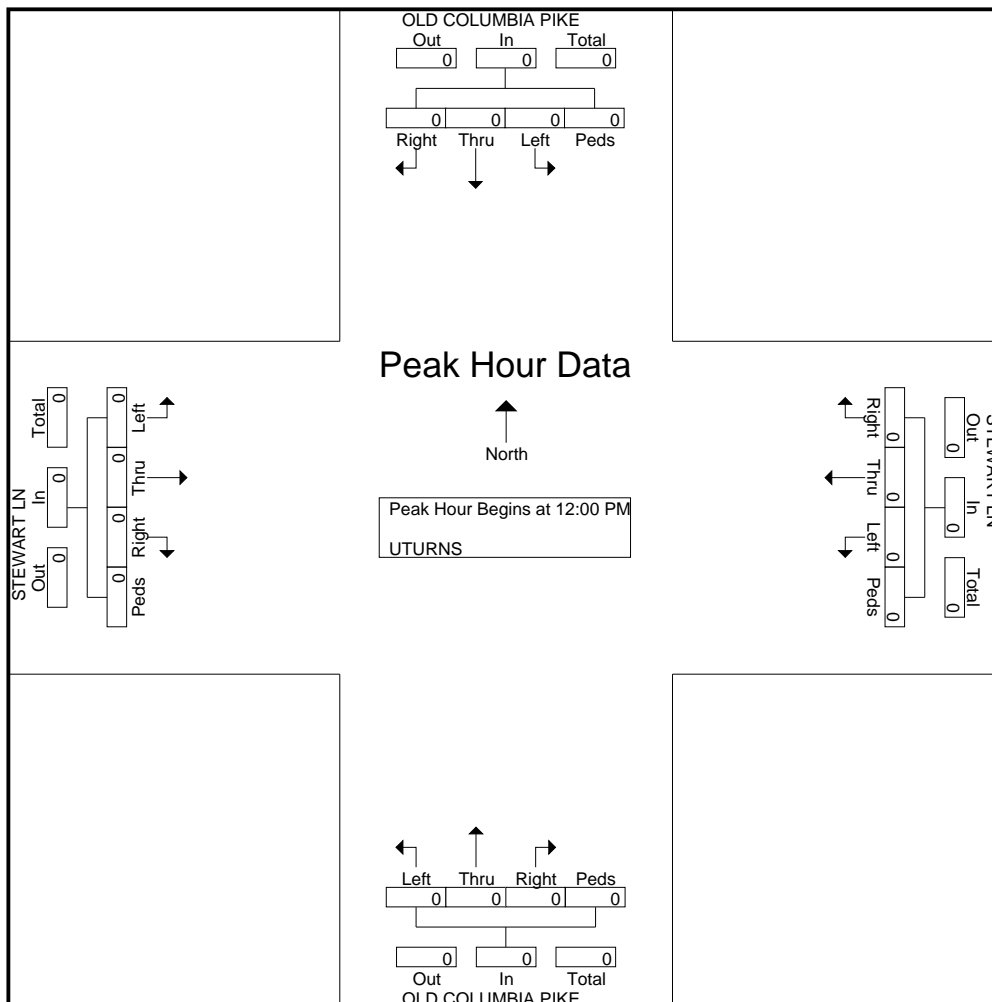
File Name : Old Columbia Pike at Stewart Ln  
Site Code : 00000000  
Start Date : 5/14/2015  
Page No : 4

Start Time	OLD COLUMBIA PIKE From North					STEWART LN From East					OLD COLUMBIA PIKE From South					STEWART LN From West					Int. Total
	Right	Thru	Left	Peds	App. Total	Right	Thru	Left	Peds	App. Total	Right	Thru	Left	Peds	App. Total	Right	Thru	Left	Peds	App. Total	

Peak Hour Analysis From 12:00 PM to 06:45 PM - Peak 1 of 1

Peak Hour for Entire Intersection Begins at 12:00 PM

12:00 PM	0	0	0	0	0	0	0	0	0	0	0	0	0	0	0	0	0	0	0	0	0
12:15 PM	0	0	0	0	0	0	0	0	0	0	0	0	0	0	0	0	0	0	0	0	0
12:30 PM	0	0	0	0	0	0	0	0	0	0	0	0	0	0	0	0	0	0	0	0	0
12:45 PM	0	0	0	0	0	0	0	0	0	0	0	0	0	0	0	0	0	0	0	0	0
Total Volume	0	0	0	0	0	0	0	0	0	0	0	0	0	0	0	0	0	0	0	0	0
% App. Total	0	0	0	0	0	0	0	0	0	0	0	0	0	0	0	0	0	0	0	0	0
PHF	.000	.000	.000	.000	.000	.000	.000	.000	.000	.000	.000	.000	.000	.000	.000	.000	.000	.000	.000	.000	.000





# Sabra, Wang & Assoc, Inc

7055 Samuel Morse Dr, Suite 100  
Columbia, MD 21046

443-741-3500

Weather: SUNNY  
Counted By: MIKE & DEB  
Town: SILVER SPRING  
County: MONTGOMERY

File Name : Old Columbia Pike at Stewart Ln  
Site Code : 00000000  
Start Date : 5/14/2015  
Page No : 1

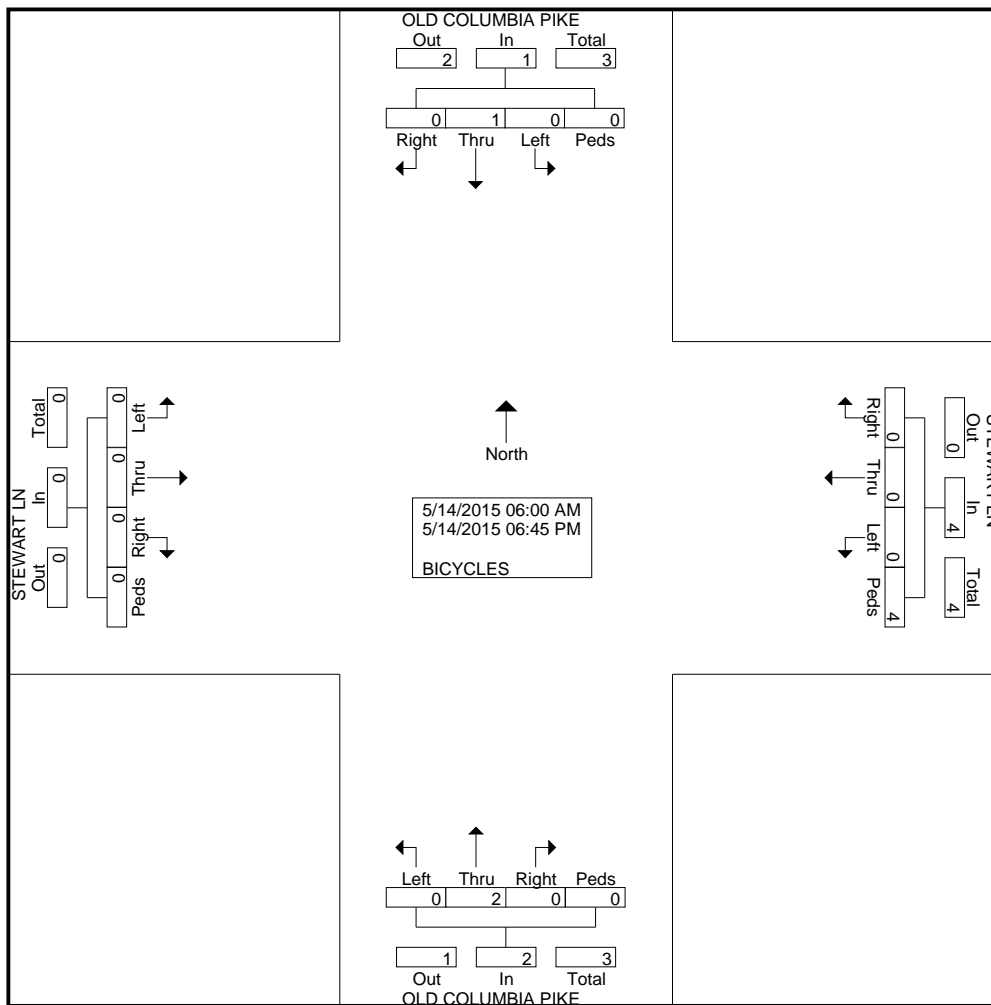
Groups Printed- BICYCLES

Start Time	OLD COLUMBIA PIKE From North					STEWART LN From East					OLD COLUMBIA PIKE From South					STEWART LN From West					Int. Total
	Right	Thru	Left	Peds	App. Total	Right	Thru	Left	Peds	App. Total	Right	Thru	Left	Peds	App. Total	Right	Thru	Left	Peds	App. Total	
06:00 AM	0	1	0	0	1	0	0	0	0	0	0	0	0	0	0	0	0	0	0	0	0
06:15 AM	0	0	0	0	0	0	0	0	1	1	0	0	0	0	0	0	0	0	0	0	0
**BREAK**																					
Total	0	1	0	0	1	0	0	0	1	1	0	0	0	0	0	0	0	0	0	0	0
07:00 AM	0	0	0	0	0	0	0	0	0	0	0	1	0	0	1	0	0	0	0	0	0
**BREAK**																					
Total	0	0	0	0	0	0	0	0	0	0	0	1	0	0	1	0	0	0	0	0	0
**BREAK**																					
04:45 PM	0	0	0	0	0	0	0	0	1	1	0	0	0	0	0	0	0	0	0	0	0
Total	0	0	0	0	0	0	0	0	1	1	0	0	0	0	0	0	0	0	0	0	0
05:00 PM	0	0	0	0	0	0	0	0	1	1	0	1	0	0	1	0	0	0	0	0	0
**BREAK**																					
Total	0	0	0	0	0	0	0	0	1	1	0	1	0	0	1	0	0	0	0	0	0
**BREAK**																					
06:15 PM	0	0	0	0	0	0	0	0	1	1	0	0	0	0	0	0	0	0	0	0	0
**BREAK**																					
Total	0	0	0	0	0	0	0	0	1	1	0	0	0	0	0	0	0	0	0	0	0
Grand Total	0	1	0	0	1	0	0	0	4	4	0	2	0	0	2	0	0	0	0	0	7
Apprch %	0	100	0	0		0	0	0	100		0	100	0	0		0	0	0	0		
Total %	0	14.3	0	0	14.3	0	0	0	57.1	57.1	0	28.6	0	0	28.6	0	0	0	0	0	

# Sabra, Wang & Assoc, Inc

7055 Samuel Morse Dr, Suite 100  
Columbia, MD 21046  
443-741-3500

File Name : Old Columbia Pike at Stewart Ln  
Site Code : 00000000  
Start Date : 5/14/2015  
Page No : 2



# Sabra, Wang & Assoc, Inc

7055 Samuel Morse Dr, Suite 100  
Columbia, MD 21046

443-741-3500

File Name : Old Columbia Pike at Stewart Ln

Site Code : 00000000

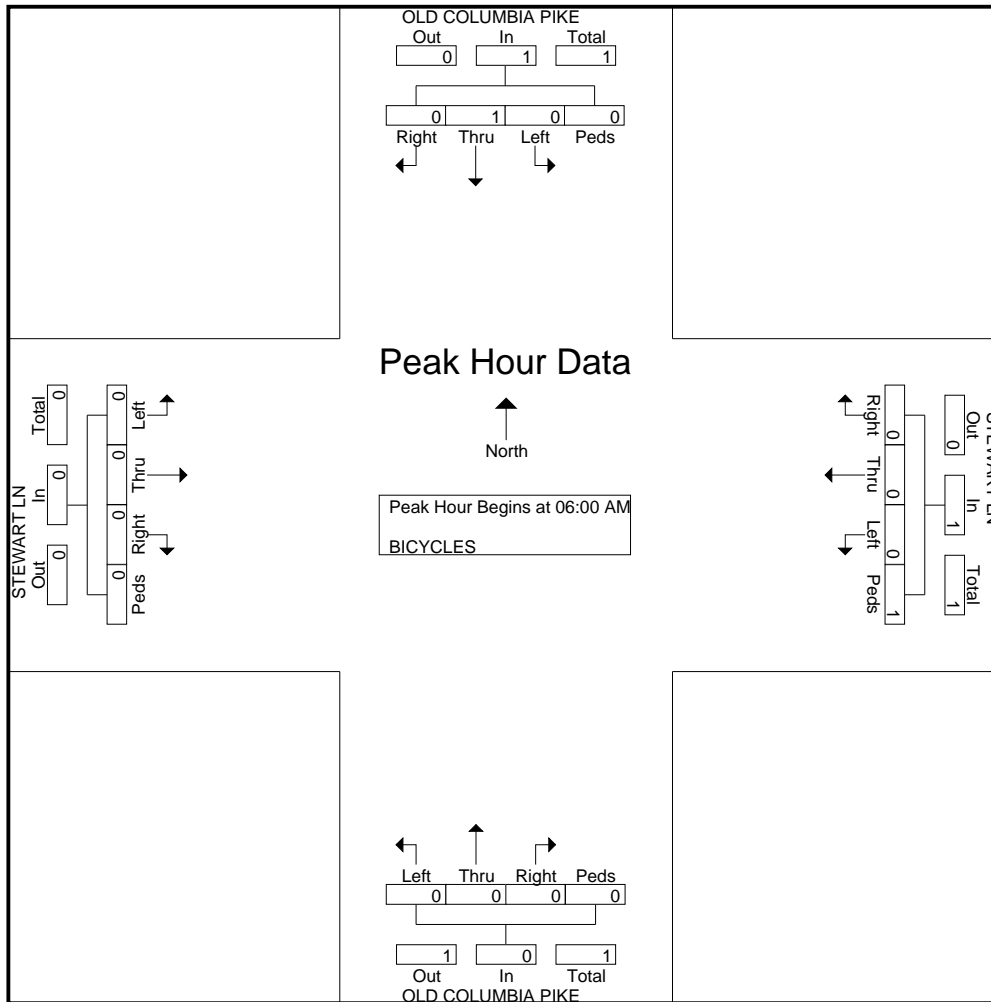
Start Date : 5/14/2015

Page No : 3

Start Time	OLD COLUMBIA PIKE From North					STEWART LN From East					OLD COLUMBIA PIKE From South					STEWART LN From West					Int. Total	
	Right	Thru	Left	Peds	App. Total	Right	Thru	Left	Peds	App. Total	Right	Thru	Left	Peds	App. Total	Right	Thru	Left	Peds	App. Total		
06:00 AM	0	1	0	0	1	0	0	0	0	0	0	0	0	0	0	0	0	0	0	0	0	1
06:15 AM	0	0	0	0	0	0	0	0	1	1	0	0	0	0	0	0	0	0	0	0	0	1
06:30 AM	0	0	0	0	0	0	0	0	0	0	0	0	0	0	0	0	0	0	0	0	0	0
06:45 AM	0	0	0	0	0	0	0	0	0	0	0	0	0	0	0	0	0	0	0	0	0	0
Total Volume	0	1	0	0	1	0	0	0	1	1	0	0	0	0	0	0	0	0	0	0	0	2
% App. Total	0	100	0	0		0	0	0	100		0	0	0	0		0	0	0	0			
PHF	.000	.250	.000	.000	.250	.000	.000	.000	.250	.250	.000	.000	.000	.000	.000	.000	.000	.000	.000	.000	.000	.500

Peak Hour Analysis From 06:00 AM to 11:45 AM - Peak 1 of 1

Peak Hour for Entire Intersection Begins at 06:00 AM



# Sabra, Wang & Assoc, Inc

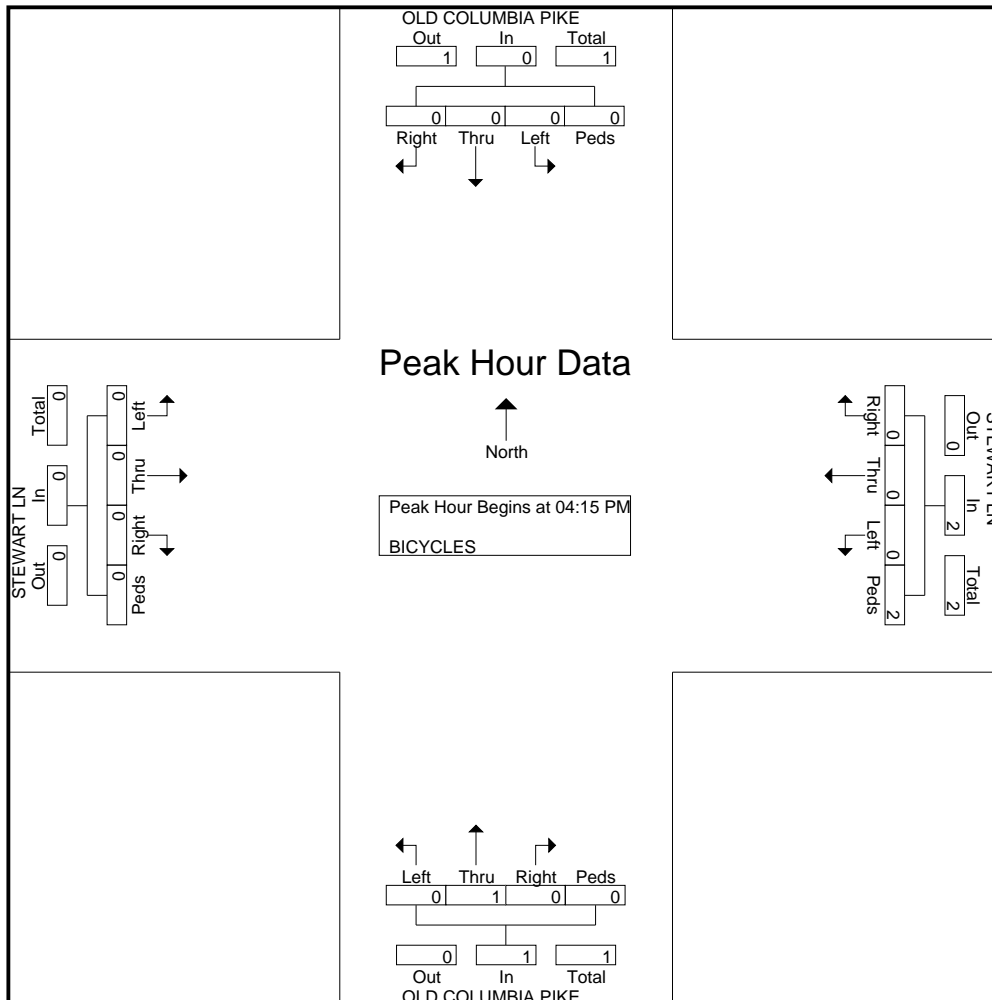
7055 Samuel Morse Dr, Suite 100  
Columbia, MD 21046  
443-741-3500

File Name : Old Columbia Pike at Stewart Ln  
Site Code : 00000000  
Start Date : 5/14/2015  
Page No : 4

Start Time	OLD COLUMBIA PIKE From North					STEWART LN From East					OLD COLUMBIA PIKE From South					STEWART LN From West					Int. Total
	Right	Thru	Left	Peds	App. Total	Right	Thru	Left	Peds	App. Total	Right	Thru	Left	Peds	App. Total	Right	Thru	Left	Peds	App. Total	
04:15 PM	0	0	0	0	0	0	0	0	0	0	0	0	0	0	0	0	0	0	0	0	0
04:30 PM	0	0	0	0	0	0	0	0	0	0	0	0	0	0	0	0	0	0	0	0	0
04:45 PM	0	0	0	0	0	0	0	0	1	1	0	0	0	0	0	0	0	0	0	0	1
05:00 PM	0	0	0	0	0	0	0	0	1	1	0	1	0	0	1	0	0	0	0	0	2
Total Volume	0	0	0	0	0	0	0	0	2	2	0	1	0	0	1	0	0	0	0	0	3
% App. Total	0	0	0	0	0	0	0	0	100	100	0	100	0	0	100	0	0	0	0	0	33.3
PHF	.000	.000	.000	.000	.000	.000	.000	.000	.500	.500	.000	.250	.000	.000	.250	.000	.000	.000	.000	.000	.375

Peak Hour Analysis From 12:00 PM to 06:45 PM - Peak 1 of 1

Peak Hour for Entire Intersection Begins at 04:15 PM



# Sabra, Wang & Assoc, Inc

7055 Samuel Morse Dr, Suite 100  
Columbia, MD 21046

443-741-3500

Weather: SUNNY  
Counted By: GARY  
Town: SILVER SPRING  
County: MONTGOMERY

File Name : Old Columbia Rd at Tech Rd  
Site Code : 00000000  
Start Date : 5/14/2015  
Page No : 1

## Groups Printed- VEHS&PEDS

Start Time	OLD COLUMBIA PIKE From North					TECH RD From East					OLD COLUMBIA PIKE From South					TECH RD From West					Int. Total
	Right	Thru	Left	Peds	App. Total	Right	Thru	Left	Peds	App. Total	Right	Thru	Left	Peds	App. Total	Right	Thru	Left	Peds	App. Total	
06:00 AM	1	23	22	0	46	14	4	7	1	26	6	4	0	0	10	2	3	2	1	8	90
06:15 AM	0	55	19	1	75	15	2	8	0	25	3	4	0	0	7	2	4	6	7	19	126
06:30 AM	3	66	24	2	95	19	2	32	0	53	15	9	1	2	27	4	5	5	10	24	199
06:45 AM	0	101	44	6	151	25	2	29	1	57	7	23	0	2	32	4	7	10	7	28	268
Total	4	245	109	9	367	73	10	76	2	161	31	40	1	4	76	12	19	23	25	79	683
07:00 AM	1	97	46	1	145	33	4	42	0	79	10	20	1	0	31	2	4	6	1	13	268
07:15 AM	2	63	35	4	104	42	4	42	0	88	8	20	0	1	29	6	7	2	1	16	237
07:30 AM	1	54	46	1	102	43	4	34	0	81	9	13	1	0	23	5	3	9	2	19	225
07:45 AM	0	55	48	3	106	57	2	30	0	89	6	8	0	1	15	2	5	4	3	14	224
Total	4	269	175	9	457	175	14	148	0	337	33	61	2	2	98	15	19	21	7	62	954
08:00 AM	5	51	64	3	123	57	3	44	0	104	8	17	1	0	26	6	8	6	1	21	274
08:15 AM	1	58	43	3	105	56	8	35	3	102	10	9	0	0	19	1	5	3	5	14	240
08:30 AM	1	46	40	2	89	45	6	32	0	83	12	7	0	0	19	3	5	1	3	12	203
08:45 AM	5	62	54	1	122	46	3	28	0	77	17	22	1	0	40	2	5	5	3	15	254
Total	12	217	201	9	439	204	20	139	3	366	47	55	2	0	104	12	23	15	12	62	971
09:00 AM	5	46	46	2	99	41	5	24	0	70	8	9	0	0	17	2	5	7	0	14	200
09:15 AM	1	34	49	6	90	44	5	26	1	76	9	8	0	0	17	1	5	4	5	15	198
09:30 AM	2	39	25	3	69	37	9	15	1	62	5	11	0	0	16	1	4	2	1	8	155
09:45 AM	4	36	39	4	83	34	10	22	0	66	13	3	0	1	17	0	11	5	5	21	187
Total	12	155	159	15	341	156	29	87	2	274	35	31	0	1	67	4	25	18	11	58	740
**BREAK**																					
04:00 PM	4	36	29	5	74	73	9	26	1	109	9	18	0	0	27	4	3	8	1	16	226
04:15 PM	6	44	41	11	102	60	10	23	2	95	14	12	0	0	26	2	4	5	6	17	240
04:30 PM	6	28	30	11	75	74	14	30	0	118	10	6	1	0	17	2	8	4	7	21	231
04:45 PM	1	20	19	1	41	41	8	32	0	81	10	13	0	0	23	2	2	6	1	11	156
Total	17	128	119	28	292	248	41	111	3	403	43	49	1	0	93	10	17	23	15	65	853
05:00 PM	3	32	30	5	70	71	14	34	1	120	11	18	0	1	30	2	3	10	6	21	241
05:15 PM	6	40	29	1	76	77	11	22	0	110	10	18	1	0	29	3	4	10	2	19	234
05:30 PM	9	37	37	1	84	77	18	21	0	116	8	19	0	0	27	4	4	2	1	11	238

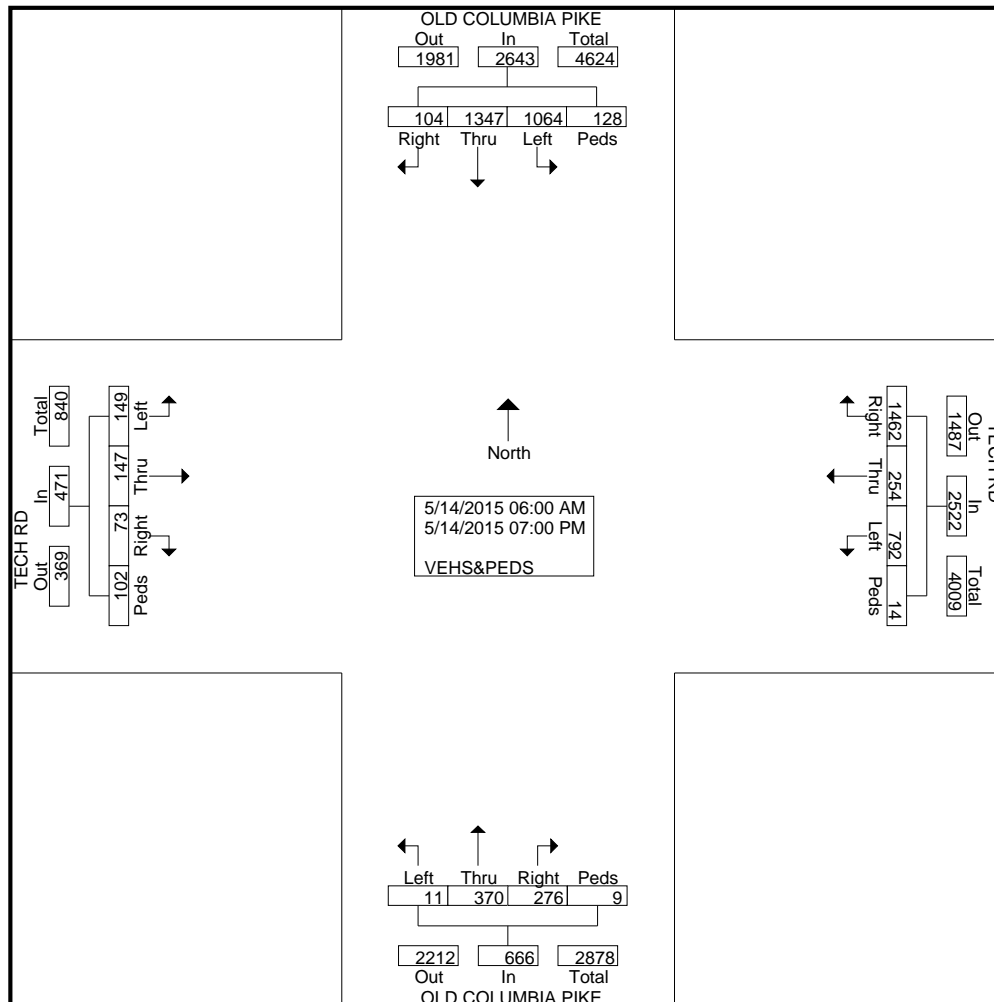
# Sabra, Wang & Assoc, Inc

7055 Samuel Morse Dr, Suite 100  
Columbia, MD 21046  
443-741-3500

File Name : Old Columbia Rd at Tech Rd  
Site Code : 00000000  
Start Date : 5/14/2015  
Page No : 2

Groups Printed- VEHS&PEDS

Start Time	OLD COLUMBIA PIKE From North					TECH RD From East					OLD COLUMBIA PIKE From South					TECH RD From West					Int. Total
	Right	Thru	Left	Peds	App. Total	Right	Thru	Left	Peds	App. Total	Right	Thru	Left	Peds	App. Total	Right	Thru	Left	Peds	App. Total	
05:45 PM	5	37	43	7	92	75	17	26	1	119	7	13	0	0	20	3	7	5	5	20	251
Total	23	146	139	14	322	300	60	103	2	465	36	68	1	1	106	12	18	27	14	71	964
06:00 PM	10	37	34	7	88	64	15	19	0	98	10	10	0	0	20	3	3	4	6	16	222
06:15 PM	4	47	32	4	87	56	11	24	0	91	5	21	1	1	28	0	3	2	4	9	215
06:30 PM	3	40	32	23	98	75	19	26	1	121	5	17	2	0	24	5	4	7	6	22	265
06:45 PM	12	29	28	4	73	63	18	25	1	107	20	8	1	0	29	0	7	5	1	13	222
Total	29	153	126	38	346	258	63	94	2	417	40	56	4	1	101	8	17	18	17	60	924
07:00 PM	3	34	36	6	79	48	17	34	0	99	11	10	0	0	21	0	9	4	1	14	213
Grand Total	104	1347	1064	128	2643	1462	254	792	14	2522	276	370	11	9	666	73	147	149	102	471	6302
Apprch %	3.9	51	40.3	4.8		58	10.1	31.4	0.6		41.4	55.6	1.7	1.4		15.5	31.2	31.6	21.7		
Total %	1.7	21.4	16.9	2	41.9	23.2	4	12.6	0.2	40	4.4	5.9	0.2	0.1	10.6	1.2	2.3	2.4	1.6	7.5	



# Sabra, Wang & Assoc, Inc

7055 Samuel Morse Dr, Suite 100  
Columbia, MD 21046  
443-741-3500

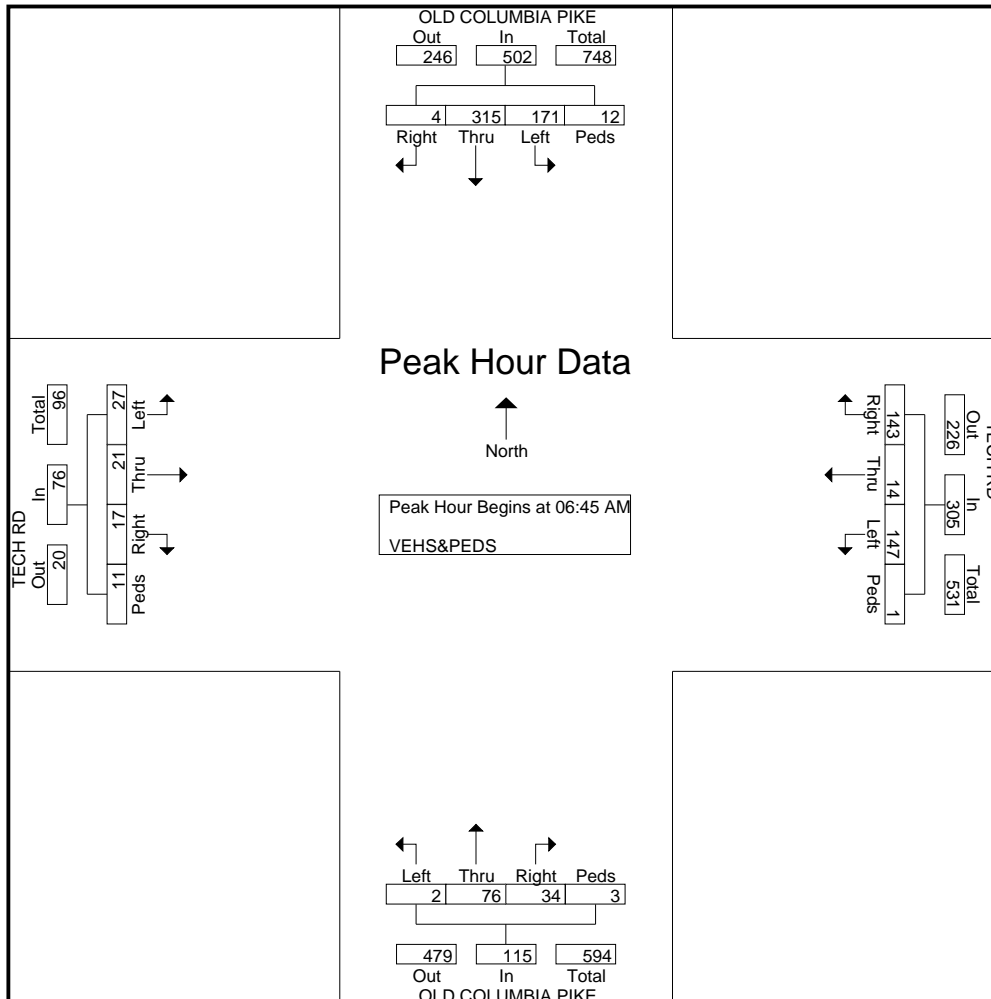
File Name : Old Columbia Rd at Tech Rd  
Site Code : 00000000  
Start Date : 5/14/2015  
Page No : 3

Start Time	OLD COLUMBIA PIKE From North					TECH RD From East					OLD COLUMBIA PIKE From South					TECH RD From West					Int. Total
	Right	Thru	Left	Peds	App. Total	Right	Thru	Left	Peds	App. Total	Right	Thru	Left	Peds	App. Total	Right	Thru	Left	Peds	App. Total	

Peak Hour Analysis From 06:00 AM to 11:45 AM - Peak 1 of 1

Peak Hour for Entire Intersection Begins at 06:45 AM

06:45 AM	0	<b>101</b>	44	<b>6</b>	<b>151</b>	25	2	29	<b>1</b>	57	7	<b>23</b>	0	<b>2</b>	<b>32</b>	4	<b>7</b>	<b>10</b>	<b>7</b>	<b>28</b>	<b>268</b>
07:00 AM	1	97	<b>46</b>	1	145	33	<b>4</b>	<b>42</b>	0	79	<b>10</b>	20	<b>1</b>	0	31	2	4	6	1	13	268
07:15 AM	<b>2</b>	63	35	4	104	42	4	42	0	<b>88</b>	8	20	0	1	29	<b>6</b>	7	2	1	16	237
07:30 AM	1	54	46	1	102	<b>43</b>	4	34	0	81	9	13	1	0	23	5	3	9	2	19	225
Total Volume	4	315	171	12	502	143	14	147	1	305	34	76	2	3	115	17	21	27	11	76	998
% App. Total	0.8	62.7	34.1	2.4		46.9	4.6	48.2	0.3		29.6	66.1	1.7	2.6		22.4	27.6	35.5	14.5		
PHF	.500	.780	.929	.500	.831	.831	.875	.875	.250	.866	.850	.826	.500	.375	.898	.708	.750	.675	.393	.679	.931



# Sabra, Wang & Assoc, Inc

7055 Samuel Morse Dr, Suite 100  
Columbia, MD 21046  
443-741-3500

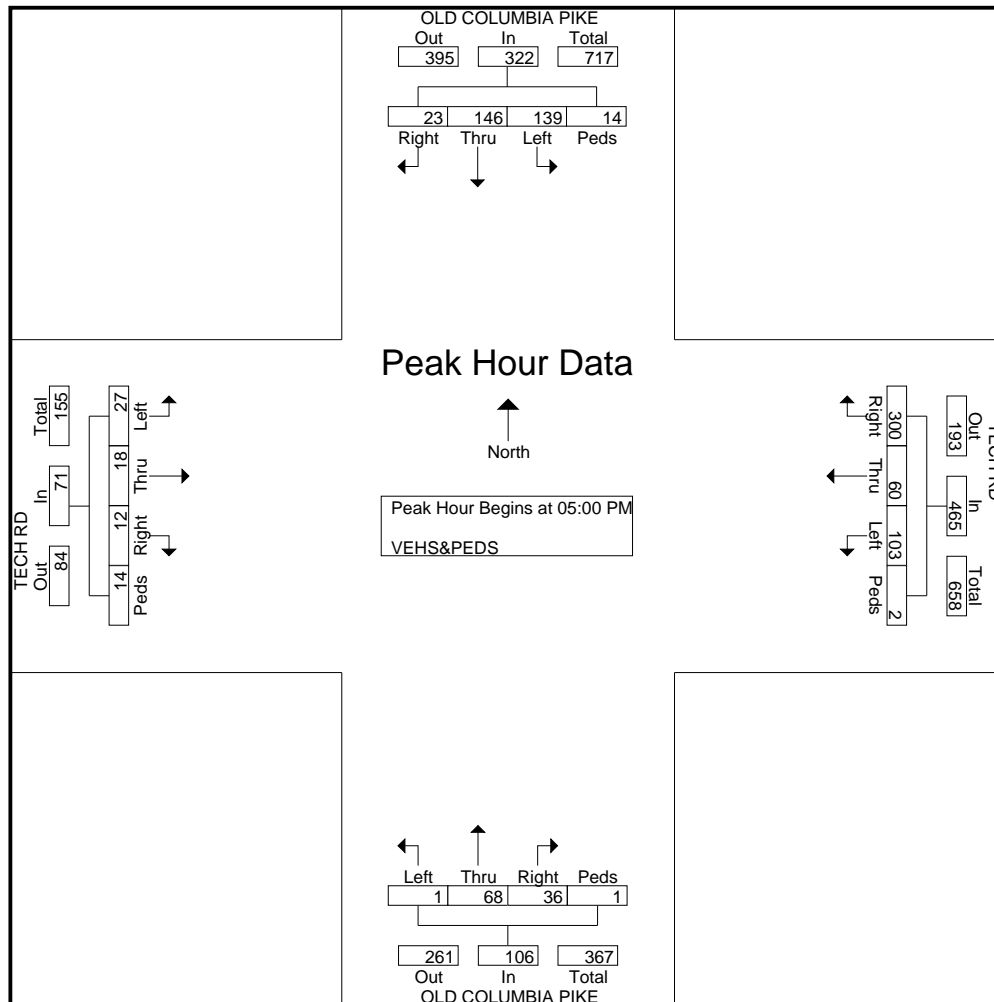
File Name : Old Columbia Rd at Tech Rd  
Site Code : 00000000  
Start Date : 5/14/2015  
Page No : 4

Start Time	OLD COLUMBIA PIKE From North					TECH RD From East					OLD COLUMBIA PIKE From South					TECH RD From West					Int. Total
	Right	Thru	Left	Peds	App. Total	Right	Thru	Left	Peds	App. Total	Right	Thru	Left	Peds	App. Total	Right	Thru	Left	Peds	App. Total	

Peak Hour Analysis From 12:00 PM to 07:00 PM - Peak 1 of 1

Peak Hour for Entire Intersection Begins at 05:00 PM

05:00 PM	3	32	30	5	70	71	14	34	1	120	11	18	0	1	30	2	3	10	6	21	241
05:15 PM	6	40	29	1	76	77	11	22	0	110	10	18	1	0	29	3	4	10	2	19	234
05:30 PM	9	37	37	1	84	77	18	21	0	116	8	19	0	0	27	4	4	2	1	11	238
05:45 PM	5	37	43	7	92	75	17	26	1	119	7	13	0	0	20	3	7	5	5	20	251
Total Volume	23	146	139	14	322	300	60	103	2	465	36	68	1	1	106	12	18	27	14	71	964
% App. Total	7.1	45.3	43.2	4.3		64.5	12.9	22.2	0.4		34	64.2	0.9	0.9		16.9	25.4	38	19.7		
PHF	.639	.913	.808	.500	.875	.974	.833	.757	.500	.969	.818	.895	.250	.250	.883	.750	.643	.675	.583	.845	.960





# Sabra, Wang & Assoc, Inc

7055 Samuel Morse Dr, Suite 100  
Columbia, MD 21046  
443-741-3500

Weather: SUNNY  
Counted By: GARY  
Town: SILVER SPRING  
County: MONTGOMERY

File Name : Old Columbia Rd at Tech Rd  
Site Code : 00000000  
Start Date : 5/14/2015  
Page No : 1

Groups Printed- UTurns

Start Time	OLD COLUMBIA PIKE From North					TECH RD From East					OLD COLUMBIA PIKE From South					TECH RD From West					Int. Total
	Right	Thru	Left	Peds	App. Total	Right	Thru	Left	Peds	App. Total	Right	Thru	Left	Peds	App. Total	Right	Thru	Left	Peds	App. Total	
**BREAK**																					
07:00 AM	0	0	0	0	0	0	0	1	0	1	0	0	0	0	0	0	0	0	0	0	1
07:15 AM	0	0	1	0	1	0	0	1	0	1	0	0	0	0	0	0	0	0	0	0	2
**BREAK**																					
Total	0	0	1	0	1	0	0	2	0	2	0	0	0	0	0	0	0	0	0	0	3
**BREAK**																					
09:15 AM	0	0	0	0	0	0	0	1	0	1	0	0	0	0	0	0	0	0	0	0	1
**BREAK**																					
Total	0	0	0	0	0	0	0	1	0	1	0	0	0	0	0	0	0	0	0	0	1
**BREAK**																					
Grand Total	0	0	1	0	1	0	0	3	0	3	0	0	0	0	0	0	0	0	0	0	4
Apprch %	0	0	100	0		0	0	100	0		0	0	0	0		0	0	0	0		
Total %	0	0	25	0	25	0	0	75	0	75	0	0	0	0	0	0	0	0	0	0	

# Sabra, Wang & Assoc, Inc

7055 Samuel Morse Dr, Suite 100  
Columbia, MD 21046

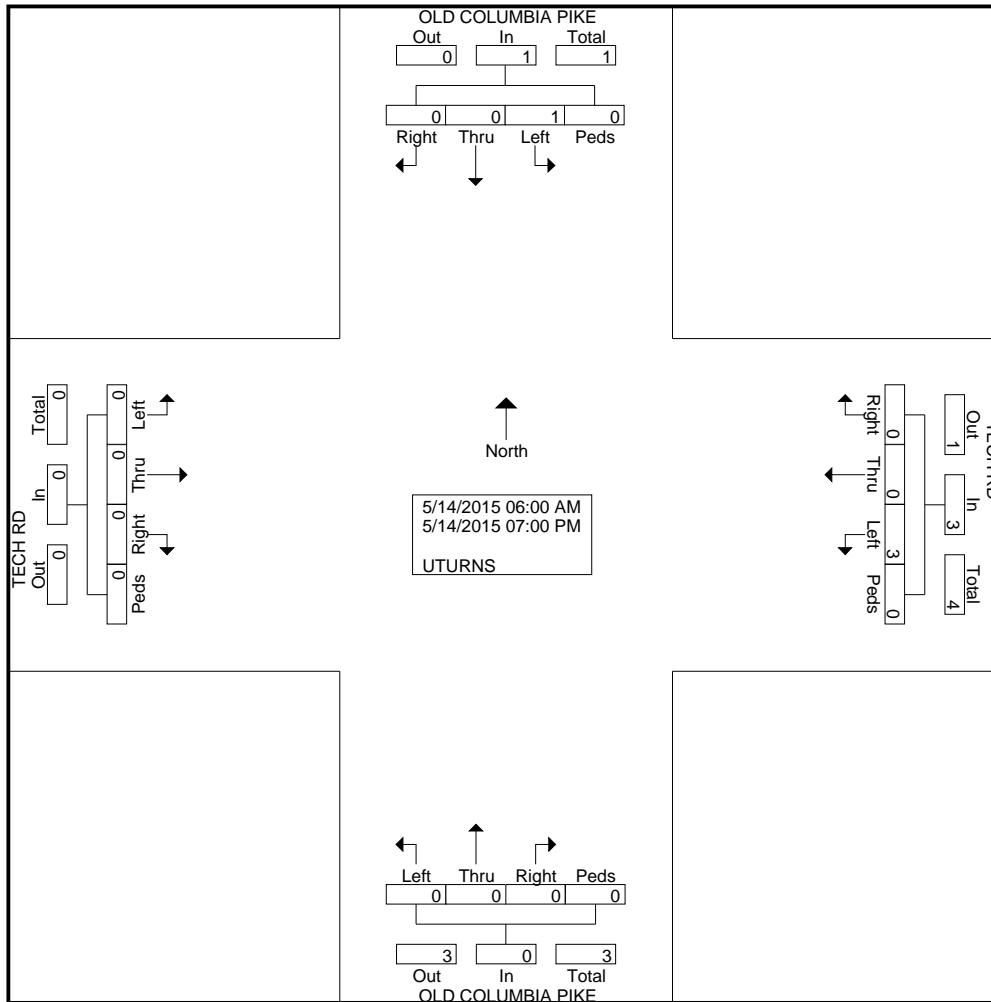
443-741-3500

File Name : Old Columbia Rd at Tech Rd

Site Code : 00000000

Start Date : 5/14/2015

Page No : 2



# Sabra, Wang & Assoc, Inc

7055 Samuel Morse Dr, Suite 100  
Columbia, MD 21046

443-741-3500

File Name : Old Columbia Rd at Tech Rd

Site Code : 00000000

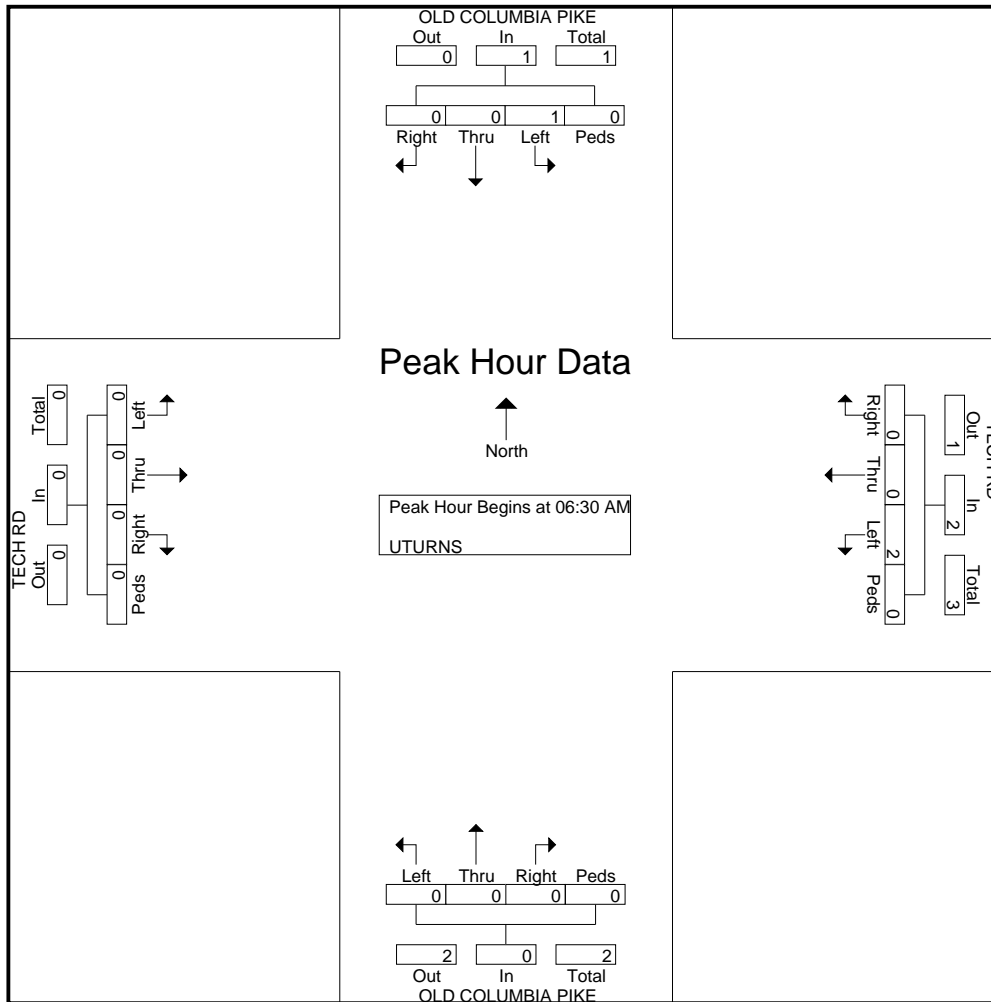
Start Date : 5/14/2015

Page No : 3

Start Time	OLD COLUMBIA PIKE From North					TECH RD From East					OLD COLUMBIA PIKE From South					TECH RD From West					Int. Total
	Right	Thru	Left	Peds	App. Total	Right	Thru	Left	Peds	App. Total	Right	Thru	Left	Peds	App. Total	Right	Thru	Left	Peds	App. Total	
06:30 AM	0	0	0	0	0	0	0	0	0	0	0	0	0	0	0	0	0	0	0	0	0
06:45 AM	0	0	0	0	0	0	0	0	0	0	0	0	0	0	0	0	0	0	0	0	0
07:00 AM	0	0	0	0	0	0	0	1	0	1	0	0	0	0	0	0	0	0	0	0	1
07:15 AM	0	0	1	0	1	0	0	1	0	1	0	0	0	0	0	0	0	0	0	0	2
Total Volume	0	0	1	0	1	0	0	2	0	2	0	0	0	0	0	0	0	0	0	0	3
% App. Total	0	0	100	0		0	0	100	0		0	0	0	0		0	0	0	0		
PHF	.000	.000	.250	.000	.250	.000	.000	.500	.000	.500	.000	.000	.000	.000	.000	.000	.000	.000	.000	.000	.375

Peak Hour Analysis From 06:00 AM to 11:45 AM - Peak 1 of 1

Peak Hour for Entire Intersection Begins at 06:30 AM



# Sabra, Wang & Assoc, Inc

7055 Samuel Morse Dr, Suite 100  
Columbia, MD 21046

443-741-3500

File Name : Old Columbia Rd at Tech Rd

Site Code : 00000000

Start Date : 5/14/2015

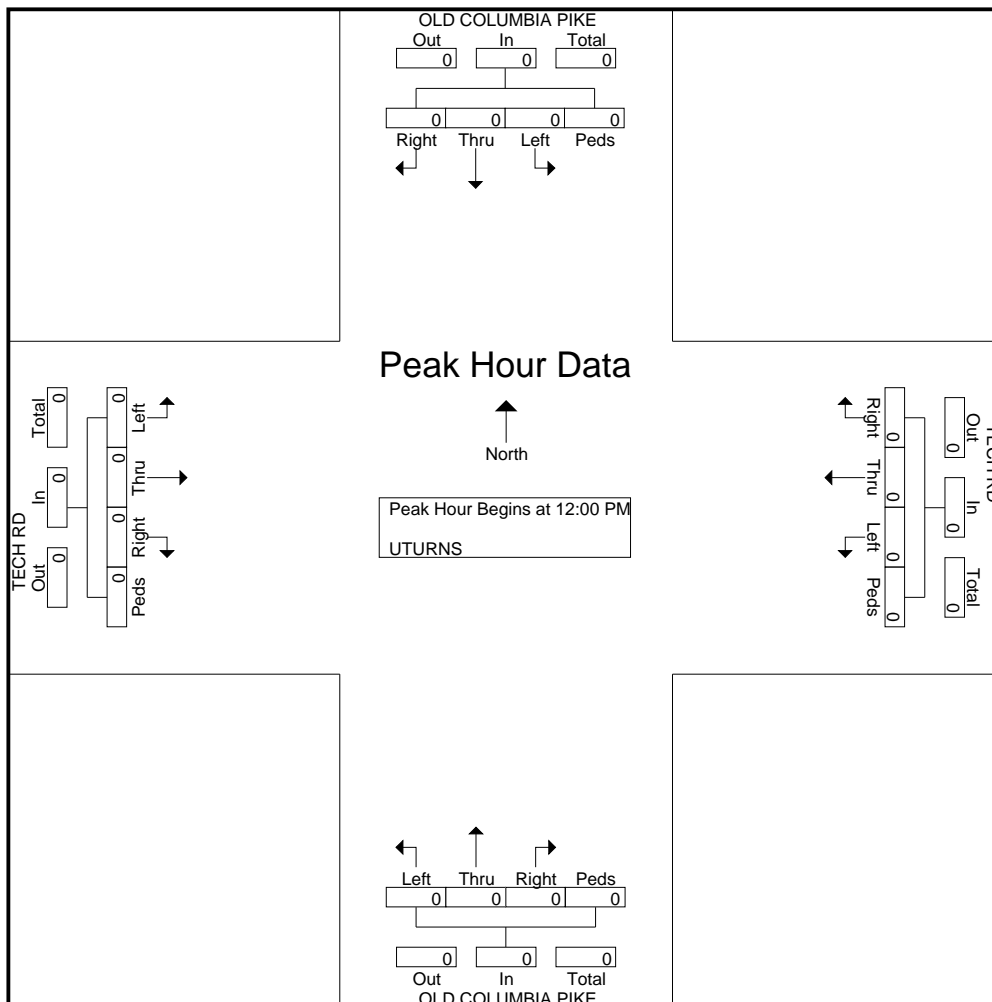
Page No : 4

Start Time	OLD COLUMBIA PIKE From North					TECH RD From East					OLD COLUMBIA PIKE From South					TECH RD From West					Int. Total
	Right	Thru	Left	Peds	App. Total	Right	Thru	Left	Peds	App. Total	Right	Thru	Left	Peds	App. Total	Right	Thru	Left	Peds	App. Total	

Peak Hour Analysis From 12:00 PM to 07:00 PM - Peak 1 of 1

Peak Hour for Entire Intersection Begins at 12:00 PM

12:00 PM	0	0	0	0	0	0	0	0	0	0	0	0	0	0	0	0	0	0	0	0	0
12:15 PM	0	0	0	0	0	0	0	0	0	0	0	0	0	0	0	0	0	0	0	0	0
12:30 PM	0	0	0	0	0	0	0	0	0	0	0	0	0	0	0	0	0	0	0	0	0
12:45 PM	0	0	0	0	0	0	0	0	0	0	0	0	0	0	0	0	0	0	0	0	0
Total Volume	0	0	0	0	0	0	0	0	0	0	0	0	0	0	0	0	0	0	0	0	0
% App. Total	0	0	0	0	0	0	0	0	0	0	0	0	0	0	0	0	0	0	0	0	0
PHF	.000	.000	.000	.000	.000	.000	.000	.000	.000	.000	.000	.000	.000	.000	.000	.000	.000	.000	.000	.000	.000



# Sabra, Wang & Assoc, Inc

7055 Samuel Morse Dr, Suite 100  
Columbia, MD 21046  
443-741-3500

Weather: SUNNY  
Counted By: GARY  
Town: SILVER SPRING  
County: MONTGOMERY

File Name : Old Columbia Rd at Tech Rd  
Site Code : 00000000  
Start Date : 5/14/2015  
Page No : 1

Groups Printed- BICYCLES

Start Time	OLD COLUMBIA PIKE From North					TECH RD From East					OLD COLUMBIA PIKE From South					TECH RD From West					Int. Total
	Right	Thru	Left	Peds	App. Total	Right	Thru	Left	Peds	App. Total	Right	Thru	Left	Peds	App. Total	Right	Thru	Left	Peds	App. Total	
**BREAK**																					
06:15 AM	0	0	0	0	0	0	0	0	0	0	0	2	0	0	2	0	0	0	0	0	2
06:30 AM	0	1	0	0	1	0	0	0	0	0	0	0	0	0	0	0	0	0	0	0	1
**BREAK**																					
Total	0	1	0	0	1	0	0	0	0	0	0	2	0	0	2	0	0	0	0	0	3
**BREAK**																					
07:30 AM	0	1	0	0	1	0	0	0	0	0	0	0	0	0	0	0	0	0	0	0	1
**BREAK**																					
Total	0	1	0	0	1	0	0	0	0	0	0	0	0	0	0	0	0	0	0	0	1
**BREAK**																					
08:15 AM	0	0	0	0	0	2	0	0	0	2	0	0	0	0	0	0	0	0	0	0	2
**BREAK**																					
Total	0	0	0	0	0	2	0	0	0	2	0	0	0	0	0	0	0	0	0	0	2
**BREAK**																					
04:45 PM	0	0	0	1	1	0	0	0	0	0	0	0	0	0	0	0	0	0	0	0	1
Total	0	0	0	1	1	0	0	0	0	0	0	0	0	0	0	0	0	0	0	0	1
**BREAK**																					
05:45 PM	0	1	0	0	1	1	0	0	0	1	0	0	0	0	0	0	0	0	0	0	2
Total	0	1	0	0	1	1	0	0	0	1	0	0	0	0	0	0	0	0	0	0	2
06:00 PM	0	0	1	0	1	0	0	0	0	0	0	0	0	0	0	0	0	0	0	0	1
06:15 PM	0	0	0	0	0	0	0	0	1	1	0	0	0	0	0	0	0	0	0	0	1
06:30 PM	0	0	0	0	0	0	2	0	1	3	0	0	0	0	0	0	2	0	0	2	5
**BREAK**																					
Total	0	0	1	0	1	0	2	0	2	4	0	0	0	0	0	0	2	0	0	2	7
**BREAK**																					
Grand Total	0	3	1	1	5	3	2	0	2	7	0	2	0	0	2	0	2	0	0	2	16
Apprch %	0	60	20	20		42.9	28.6	0	28.6		0	100	0	0		0	100	0	0		
Total %	0	18.8	6.2	6.2	31.2	18.8	12.5	0	12.5	43.8	0	12.5	0	0	12.5	0	12.5	0	0	12.5	

# Sabra, Wang & Assoc, Inc

7055 Samuel Morse Dr, Suite 100  
Columbia, MD 21046

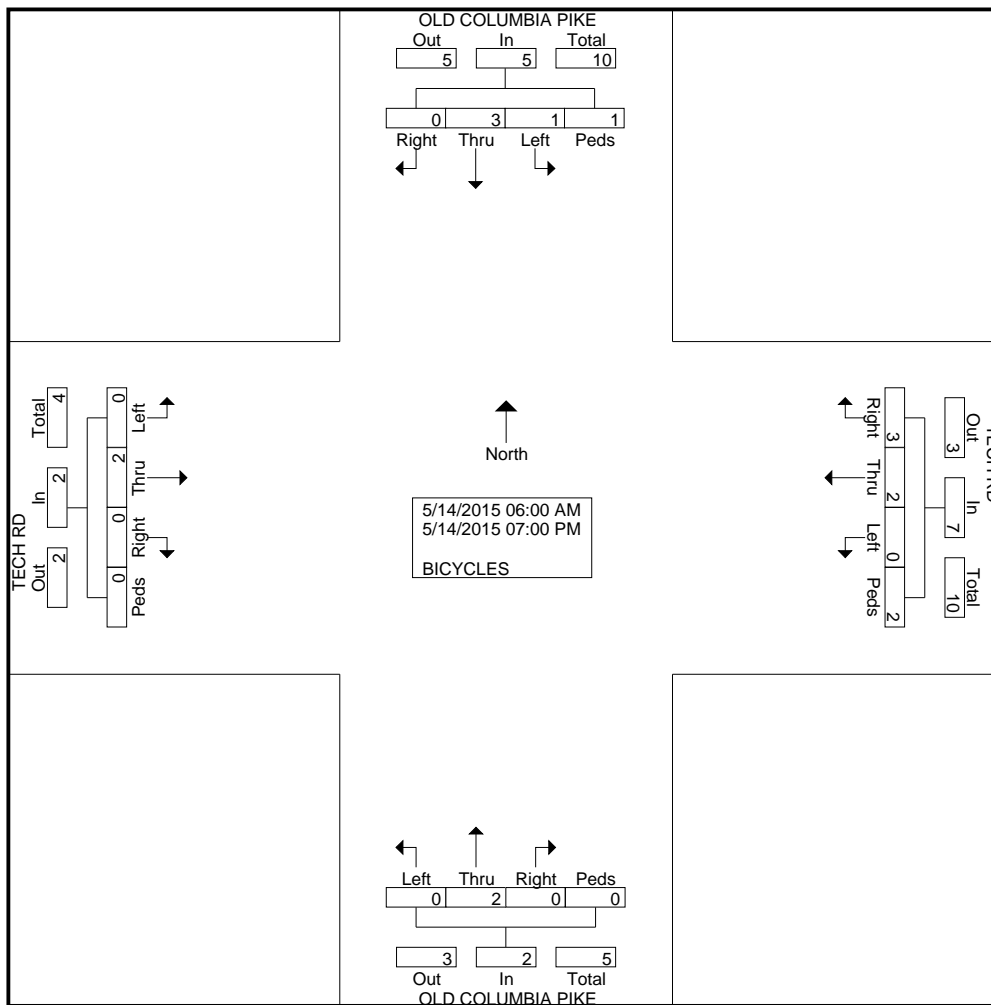
443-741-3500

File Name : Old Columbia Rd at Tech Rd

Site Code : 00000000

Start Date : 5/14/2015

Page No : 2



# Sabra, Wang & Assoc, Inc

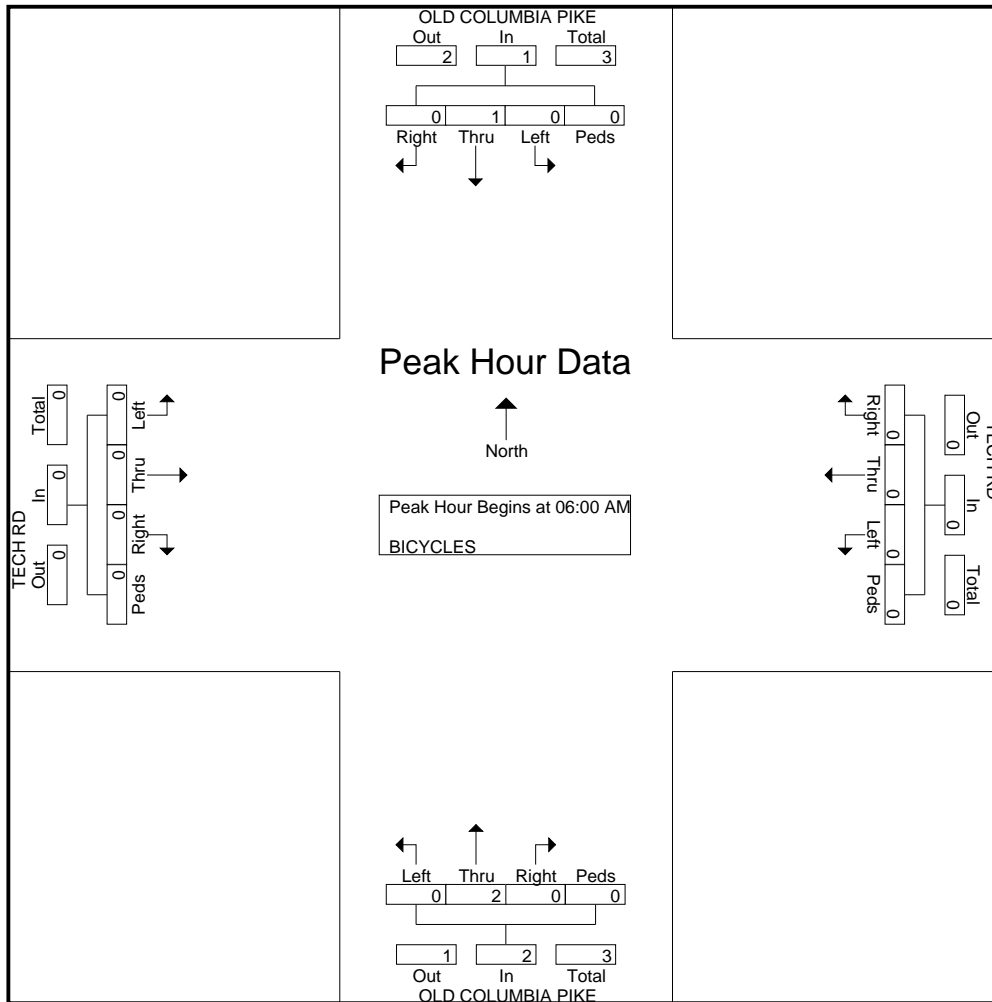
7055 Samuel Morse Dr, Suite 100  
Columbia, MD 21046  
443-741-3500

File Name : Old Columbia Rd at Tech Rd  
Site Code : 00000000  
Start Date : 5/14/2015  
Page No : 3

Start Time	OLD COLUMBIA PIKE From North					TECH RD From East					OLD COLUMBIA PIKE From South					TECH RD From West					Int. Total					
	Right	Thru	Left	Peds	App. Total	Right	Thru	Left	Peds	App. Total	Right	Thru	Left	Peds	App. Total	Right	Thru	Left	Peds	App. Total						
06:00 AM	0	0	0	0	0	0	0	0	0	0	0	0	0	0	0	0	0	0	0	0	0	0	0	0	0	0
06:15 AM	0	0	0	0	0	0	0	0	0	0	0	2	0	0	2	0	0	0	0	0	0	0	0	0	0	2
06:30 AM	0	1	0	0	1	0	0	0	0	0	0	0	0	0	0	0	0	0	0	0	0	0	0	0	0	1
06:45 AM	0	0	0	0	0	0	0	0	0	0	0	0	0	0	0	0	0	0	0	0	0	0	0	0	0	0
Total Volume	0	1	0	0	1	0	0	0	0	0	0	2	0	0	2	0	0	0	0	0	0	0	0	0	0	3
% App. Total	0	100	0	0		0	0	0	0		0	100	0	0		0	0	0	0		0	0	0	0		
PHF	.000	.250	.000	.000	.250	.000	.000	.000	.000	.000	.000	.250	.000	.000	.250	.000	.000	.000	.000	.000	.000	.000	.000	.000	.375	

Peak Hour Analysis From 06:00 AM to 11:45 AM - Peak 1 of 1

Peak Hour for Entire Intersection Begins at 06:00 AM



# Sabra, Wang & Assoc, Inc

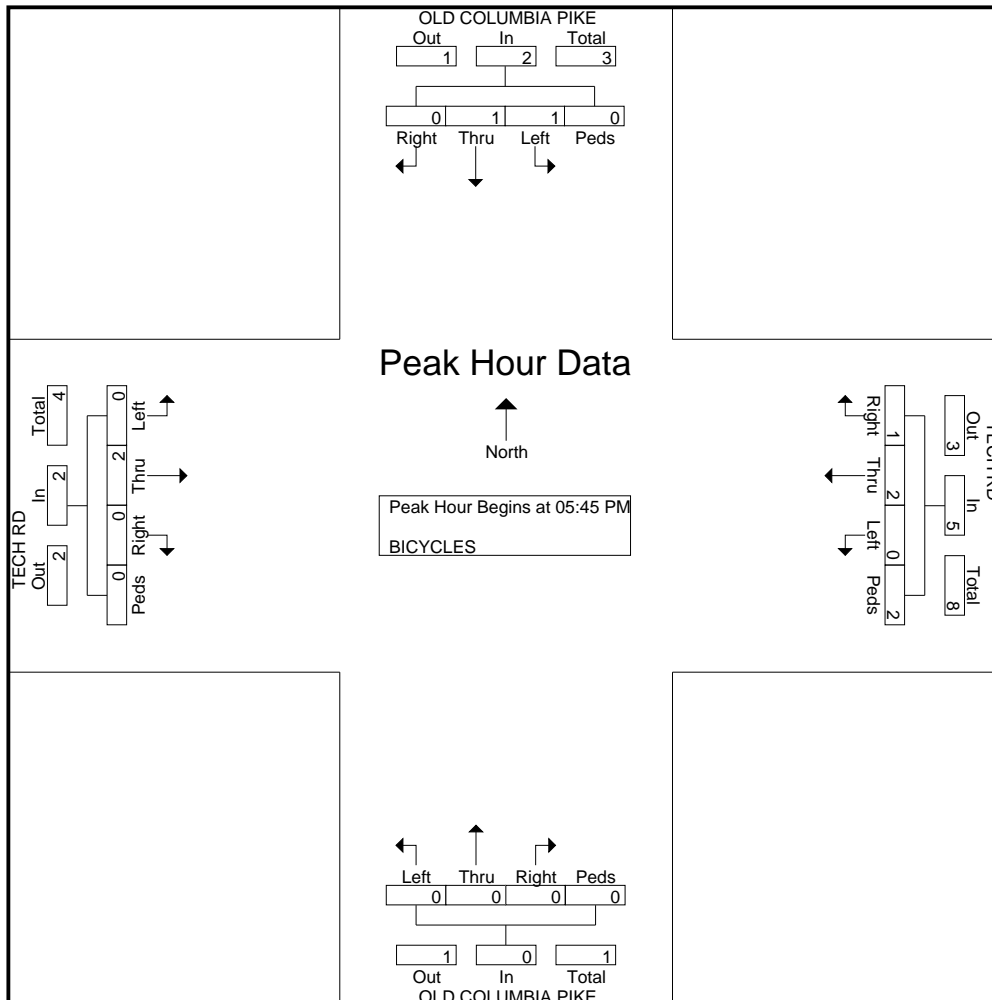
7055 Samuel Morse Dr, Suite 100  
Columbia, MD 21046  
443-741-3500

File Name : Old Columbia Rd at Tech Rd  
Site Code : 00000000  
Start Date : 5/14/2015  
Page No : 4

Start Time	OLD COLUMBIA PIKE From North					TECH RD From East					OLD COLUMBIA PIKE From South					TECH RD From West					Int. Total	
	Right	Thru	Left	Peds	App. Total	Right	Thru	Left	Peds	App. Total	Right	Thru	Left	Peds	App. Total	Right	Thru	Left	Peds	App. Total		
05:45 PM	0	1	0	0	1	1	0	0	0	1	0	0	0	0	0	0	0	0	0	0	0	2
06:00 PM	0	0	1	0	1	0	0	0	0	0	0	0	0	0	0	0	0	0	0	0	0	1
06:15 PM	0	0	0	0	0	0	0	0	1	1	0	0	0	0	0	0	0	0	0	0	0	1
06:30 PM	0	0	0	0	0	0	2	0	1	3	0	0	0	0	0	0	2	0	0	2	5	
Total Volume	0	1	1	0	2	1	2	0	2	5	0	0	0	0	0	0	2	0	0	2	9	
% App. Total	0	50	50	0		20	40	0	40		0	0	0	0		0	100	0	0			
PHF	.000	.250	.250	.000	.500	.250	.250	.000	.500	.417	.000	.000	.000	.000	.000	.000	.250	.000	.000	.250	.450	

Peak Hour Analysis From 12:00 PM to 07:00 PM - Peak 1 of 1

Peak Hour for Entire Intersection Begins at 05:45 PM





# Sabra, Wang & Assoc, Inc

7055 Samuel Morse Dr, Suite 100

Columbia, MD 21046

443-741-3500

Weather: SUNNY  
 Counted By: DEB  
 Town: SILVER SPRING  
 County: MONTGOMERY

File Name : Plum Orchard Rd at Broadbirch Dr  
 Site Code : 00000000  
 Start Date : 5/20/2015  
 Page No : 1

## Groups Printed- VEHS&PEDS

Start Time	PLUM ORCHARD DR From North					BROADBIRCH DR From East					PLUM ORCHARD DR From South					BROADBIRCH DR From West					Int. Total
	Right	Thru	Left	Peds	App. Total	Right	Thru	Left	Peds	App. Total	Right	Thru	Left	Peds	App. Total	Right	Thru	Left	Peds	App. Total	
06:00 AM	0	1	1	0	2	1	61	0	0	62	0	0	21	0	21	8	37	0	0	45	130
06:15 AM	0	0	1	0	1	3	71	4	2	80	1	3	25	0	29	4	36	3	0	43	153
06:30 AM	0	0	0	0	0	8	78	4	0	90	0	3	22	3	28	18	47	4	1	70	188
06:45 AM	2	1	1	0	4	12	65	3	1	81	2	2	23	0	27	22	25	1	0	48	160
Total	2	2	3	0	7	24	275	11	3	313	3	8	91	3	105	52	145	8	1	206	631
07:00 AM	0	1	2	0	3	13	95	2	0	110	0	6	30	1	37	13	46	7	2	68	218
07:15 AM	1	0	0	2	3	25	81	5	0	111	2	3	41	3	49	21	39	9	1	70	233
07:30 AM	4	1	5	0	10	26	95	4	0	125	2	5	38	0	45	22	51	9	1	83	263
07:45 AM	3	0	6	0	9	46	100	2	0	148	0	11	40	2	53	20	66	20	0	106	316
Total	8	2	13	2	25	110	371	13	0	494	4	25	149	6	184	76	202	45	4	327	1030
08:00 AM	4	0	9	1	14	45	111	7	0	163	4	22	52	1	79	19	44	6	4	73	329
08:15 AM	8	0	10	1	19	59	129	2	1	191	0	20	54	0	74	17	51	18	0	86	370
08:30 AM	7	0	9	0	16	55	101	7	0	163	3	20	49	1	73	22	47	29	2	100	352
08:45 AM	8	5	14	0	27	39	115	4	0	158	4	14	50	3	71	22	68	28	0	118	374
Total	27	5	42	2	76	198	456	20	1	675	11	76	205	5	297	80	210	81	6	377	1425
09:00 AM	6	4	7	1	18	45	131	6	0	182	7	14	50	5	76	17	68	20	5	110	386
09:15 AM	4	1	14	0	19	39	109	3	0	151	3	15	37	4	59	35	86	16	0	137	366
09:30 AM	6	3	15	0	24	28	98	3	1	130	5	10	31	4	50	39	108	12	0	159	363
09:45 AM	6	4	13	0	23	36	89	2	0	127	2	8	31	2	43	30	61	18	0	109	302
Total	22	12	49	1	84	148	427	14	1	590	17	47	149	15	228	121	323	66	5	515	1417
**BREAK**																					
04:00 PM	12	12	24	0	48	18	81	3	4	106	3	3	44	9	59	54	131	6	0	191	404
04:15 PM	19	10	26	1	56	14	72	4	1	91	3	5	44	1	53	46	107	11	0	164	364
04:30 PM	22	26	48	1	97	12	78	4	3	97	4	1	47	3	55	54	137	5	0	196	445
04:45 PM	16	16	43	1	76	11	71	2	2	86	3	3	50	12	68	63	141	7	1	212	442
Total	69	64	141	3	277	55	302	13	10	380	13	12	185	25	235	217	516	29	1	763	1655
05:00 PM	27	29	54	0	110	16	70	4	1	91	3	3	36	2	44	63	151	6	0	220	465
05:15 PM	17	23	50	4	94	3	69	4	2	78	2	3	39	3	47	72	135	3	0	210	429
05:30 PM	21	14	34	1	70	9	58	3	1	71	1	5	34	0	40	66	137	2	0	205	386

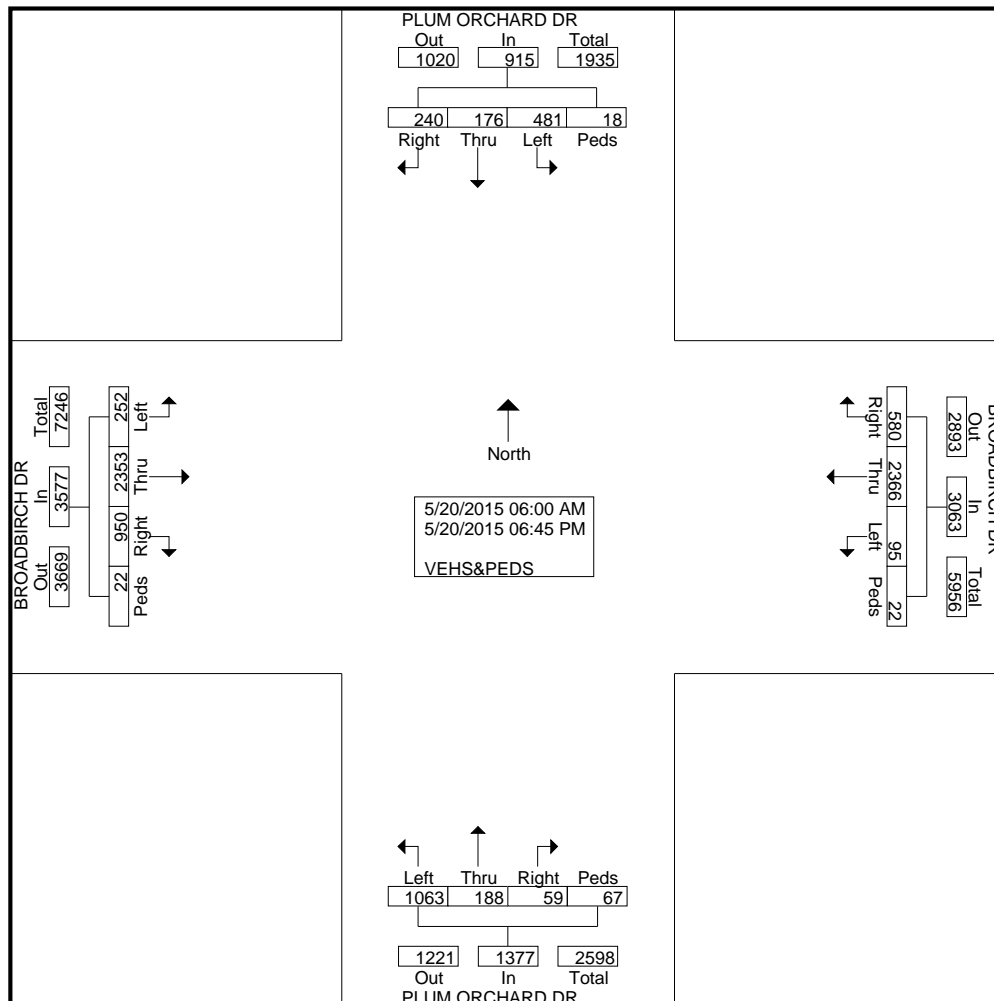
# Sabra, Wang & Assoc, Inc

7055 Samuel Morse Dr, Suite 100  
Columbia, MD 21046  
443-741-3500

File Name : Plum Orchard Rd at Broadbirch Dr  
Site Code : 00000000  
Start Date : 5/20/2015  
Page No : 2

Groups Printed- VEHS&PEDS

Start Time	PLUM ORCHARD DR From North					BROADBIRCH DR From East					PLUM ORCHARD DR From South					BROADBIRCH DR From West					Int. Total
	Right	Thru	Left	Peds	App. Total	Right	Thru	Left	Peds	App. Total	Right	Thru	Left	Peds	App. Total	Right	Thru	Left	Peds	App. Total	
05:45 PM	15	7	34	3	59	6	67	3	3	79	2	3	42	1	48	55	129	4	0	188	374
Total	80	73	172	8	333	34	264	14	7	319	8	14	151	6	179	256	552	15	0	823	1654
06:00 PM	17	4	26	1	48	3	66	3	0	72	1	3	45	1	50	42	122	2	3	169	339
06:15 PM	10	3	14	1	28	1	89	2	0	92	1	2	24	4	31	43	89	2	0	134	285
06:30 PM	4	7	14	0	25	3	67	3	0	73	0	0	34	1	35	33	99	3	1	136	269
06:45 PM	1	4	7	0	12	4	49	2	0	55	1	1	30	1	33	30	95	1	1	127	227
Total	32	18	61	2	113	11	271	10	0	292	3	6	133	7	149	148	405	8	5	566	1120
Grand Total	240	176	481	18	915	580	2366	95	22	3063	59	188	1063	67	1377	950	2353	252	22	3577	8932
Apprch %	26.2	19.2	52.6	2		18.9	77.2	3.1	0.7		4.3	13.7	77.2	4.9		26.6	65.8	7	0.6		
Total %	2.7	2	5.4	0.2	10.2	6.5	26.5	1.1	0.2	34.3	0.7	2.1	11.9	0.8	15.4	10.6	26.3	2.8	0.2	40	



# Sabra, Wang & Assoc, Inc

7055 Samuel Morse Dr, Suite 100  
Columbia, MD 21046  
443-741-3500

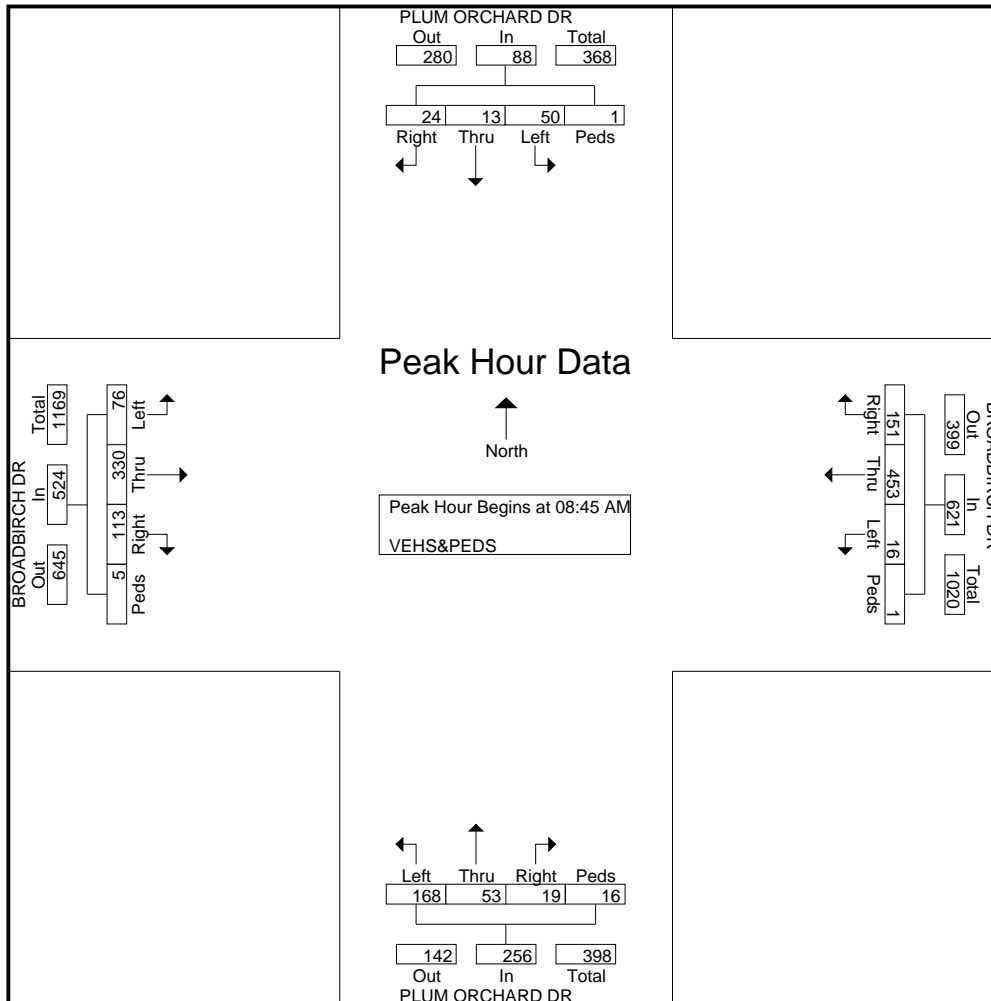
File Name : Plum Orchard Rd at Broadbirch Dr  
Site Code : 00000000  
Start Date : 5/20/2015  
Page No : 3

Start Time	PLUM ORCHARD DR From North					BROADBIRCH DR From East					PLUM ORCHARD DR From South					BROADBIRCH DR From West					Int. Total
	Right	Thru	Left	Peds	App. Total	Right	Thru	Left	Peds	App. Total	Right	Thru	Left	Peds	App. Total	Right	Thru	Left	Peds	App. Total	

Peak Hour Analysis From 06:00 AM to 11:45 AM - Peak 1 of 1

Peak Hour for Entire Intersection Begins at 08:45 AM

08:45 AM	8	5	14	0	27	39	115	4	0	158	4	14	50	3	71	22	68	28	0	118	374
09:00 AM	6	4	7	1	18	45	131	6	0	182	7	14	50	5	76	17	68	20	5	110	386
09:15 AM	4	1	14	0	19	39	109	3	0	151	3	15	37	4	59	35	86	16	0	137	366
09:30 AM	6	3	15	0	24	28	98	3	1	130	5	10	31	4	50	39	108	12	0	159	363
Total Volume	24	13	50	1	88	151	453	16	1	621	19	53	168	16	256	113	330	76	5	524	1489
% App. Total	27.3	14.8	56.8	1.1		24.3	72.9	2.6	0.2		7.4	20.7	65.6	6.2		21.6	63	14.5	1		
PHF	.750	.650	.833	.250	.815	.839	.865	.667	.250	.853	.679	.883	.840	.800	.842	.724	.764	.679	.250	.824	.964

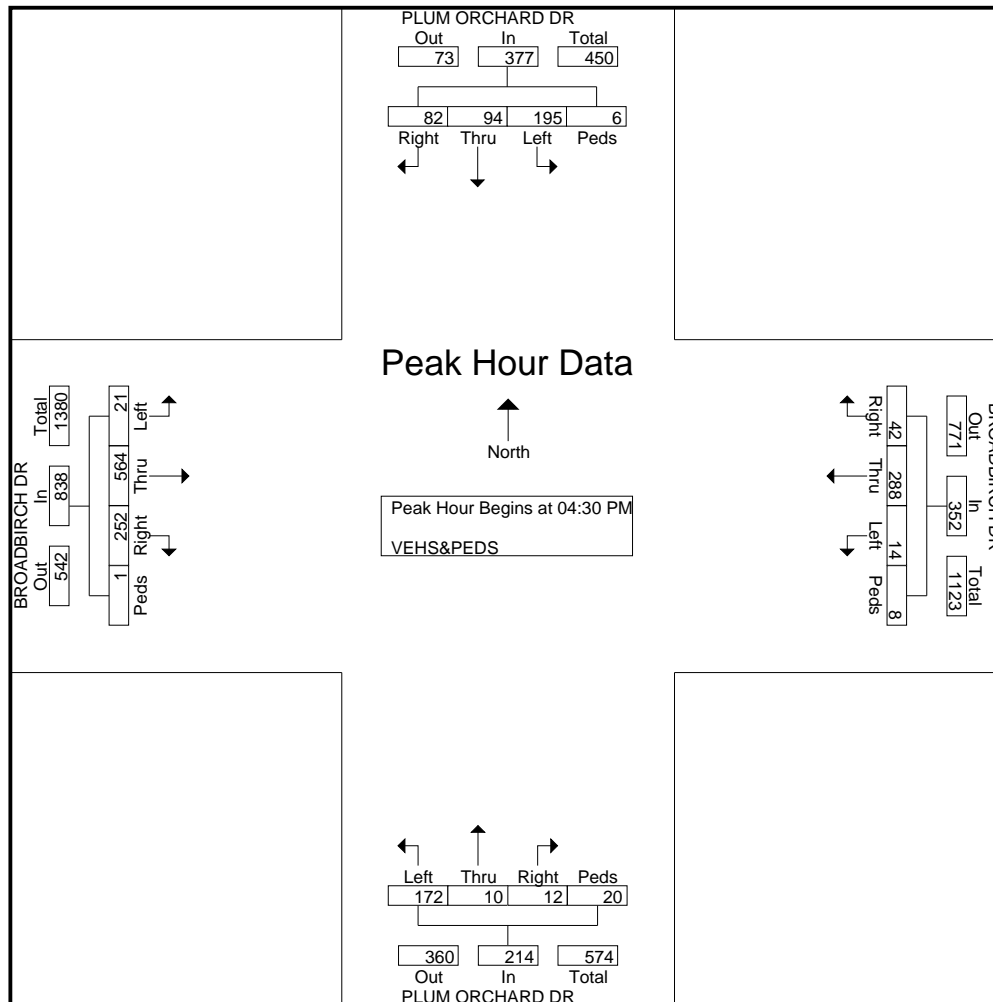


# Sabra, Wang & Assoc, Inc

7055 Samuel Morse Dr, Suite 100  
Columbia, MD 21046  
443-741-3500

File Name : Plum Orchard Rd at Broadbirch Dr  
Site Code : 00000000  
Start Date : 5/20/2015  
Page No : 4

Start Time	PLUM ORCHARD DR From North					BROADBIRCH DR From East					PLUM ORCHARD DR From South					BROADBIRCH DR From West					Int. Total
	Right	Thru	Left	Peds	App. Total	Right	Thru	Left	Peds	App. Total	Right	Thru	Left	Peds	App. Total	Right	Thru	Left	Peds	App. Total	
Peak Hour Analysis From 12:00 PM to 06:45 PM - Peak 1 of 1																					
Peak Hour for Entire Intersection Begins at 04:30 PM																					
04:30 PM	22	26	48	1	97	12	<b>78</b>	<b>4</b>	<b>3</b>	<b>97</b>	<b>4</b>	1	47	3	55	54	137	5	0	196	445
04:45 PM	16	16	43	1	76	11	71	2	2	86	3	<b>3</b>	<b>50</b>	<b>12</b>	<b>68</b>	63	141	<b>7</b>	<b>1</b>	212	442
05:00 PM	<b>27</b>	<b>29</b>	<b>54</b>	0	<b>110</b>	<b>16</b>	70	4	1	91	3	3	36	2	44	63	<b>151</b>	6	0	<b>220</b>	<b>465</b>
05:15 PM	17	23	50	<b>4</b>	94	3	69	4	2	78	2	3	39	3	47	<b>72</b>	135	3	0	210	429
Total Volume	82	94	195	6	377	42	288	14	8	352	12	10	172	20	214	252	564	21	1	838	1781
% App. Total	21.8	24.9	51.7	1.6		11.9	81.8	4	2.3		5.6	4.7	80.4	9.3		30.1	67.3	2.5	0.1		
PHF	.759	.810	.903	.375	.857	.656	.923	.875	.667	.907	.750	.833	.860	.417	.787	.875	.934	.750	.250	.952	.958



# Sabra, Wang & Assoc, Inc

7055 Samuel Morse Dr, Suite 100  
Columbia, MD 21046  
443-741-3500

Weather: SUNNY  
Counted By: DEB  
Town: SILVER SPRING  
County: MONTGOMERY

File Name : Plum Orchard Rd at Broadbirch Dr  
Site Code : 00000000  
Start Date : 5/20/2015  
Page No : 1

Groups Printed- UURNS

Start Time	PLUM ORCHARD DR From North					BROADBIRCH DR From East					PLUM ORCHARD DR From South					BROADBIRCH DR From West					Int. Total
	Right	Thru	Left	Peds	App. Total	Right	Thru	Left	Peds	App. Total	Right	Thru	Left	Peds	App. Total	Right	Thru	Left	Peds	App. Total	
**BREAK**																					
06:30 AM	0	0	0	0	0	0	0	1	0	1	0	0	0	0	0	0	0	0	0	0	1
**BREAK**																					
Total	0	0	0	0	0	0	0	1	0	1	0	0	0	0	0	0	0	0	0	0	1
07:00 AM	0	0	0	0	0	0	0	1	0	1	0	0	0	0	0	0	0	0	0	0	1
**BREAK**																					
Total	0	0	0	0	0	0	0	1	0	1	0	0	0	0	0	0	0	0	0	0	1
08:00 AM	0	0	0	0	0	0	0	0	0	0	0	0	1	0	1	0	0	0	0	0	1
08:15 AM	0	0	0	0	0	0	0	1	0	1	0	0	0	0	0	0	0	0	0	0	1
**BREAK**																					
Total	0	0	0	0	0	0	0	1	0	1	0	0	1	0	1	0	0	0	0	0	2
**BREAK**																					
05:45 PM	0	0	0	0	0	0	1	1	0	2	0	0	0	0	0	0	0	0	0	0	2
Total	0	0	0	0	0	0	1	1	0	2	0	0	0	0	0	0	0	0	0	0	2
**BREAK**																					
Grand Total	0	0	0	0	0	0	1	4	0	5	0	0	1	0	1	0	0	0	0	0	6
Apprch %	0	0	0	0		0	20	80	0		0	0	100	0		0	0	0	0		
Total %	0	0	0	0	0	0	16.7	66.7	0	83.3	0	0	16.7	0	16.7	0	0	0	0	0	

# Sabra, Wang & Assoc, Inc

7055 Samuel Morse Dr, Suite 100  
Columbia, MD 21046

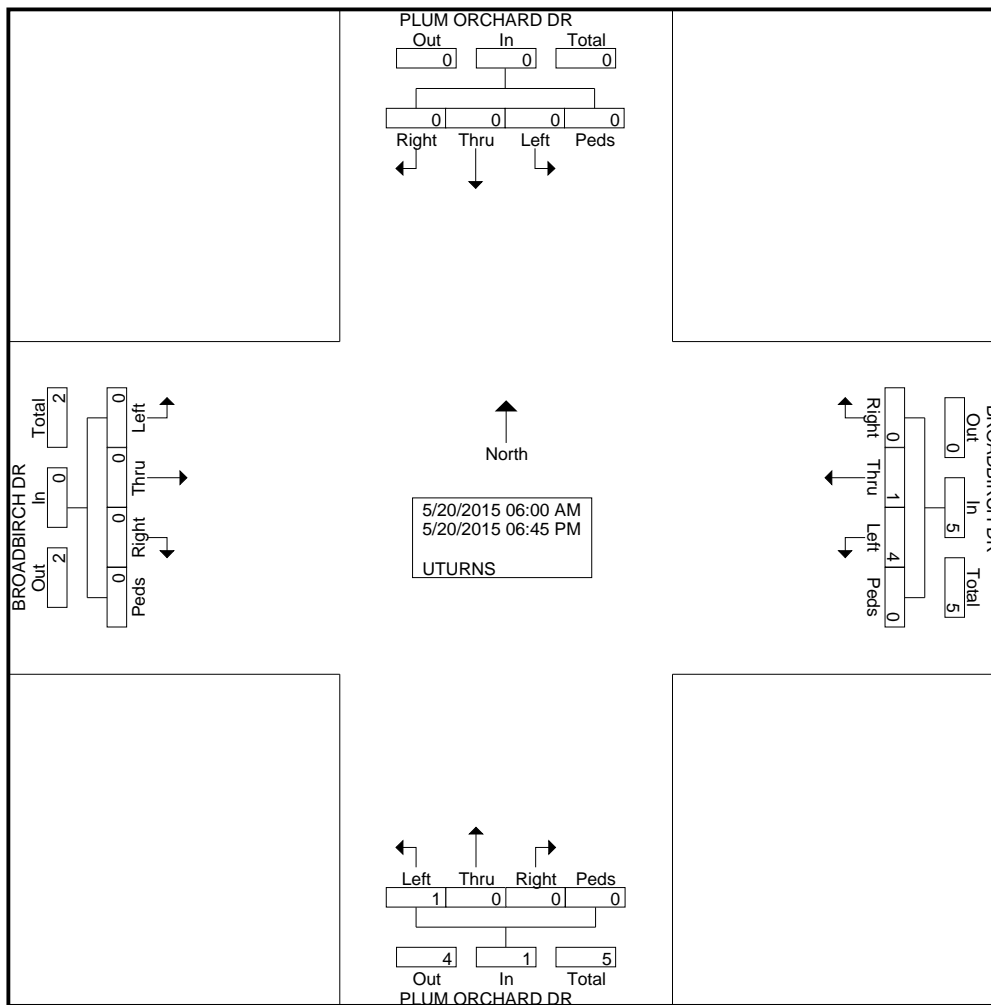
443-741-3500

File Name : Plum Orchard Rd at Broadbirch Dr

Site Code : 00000000

Start Date : 5/20/2015

Page No : 2

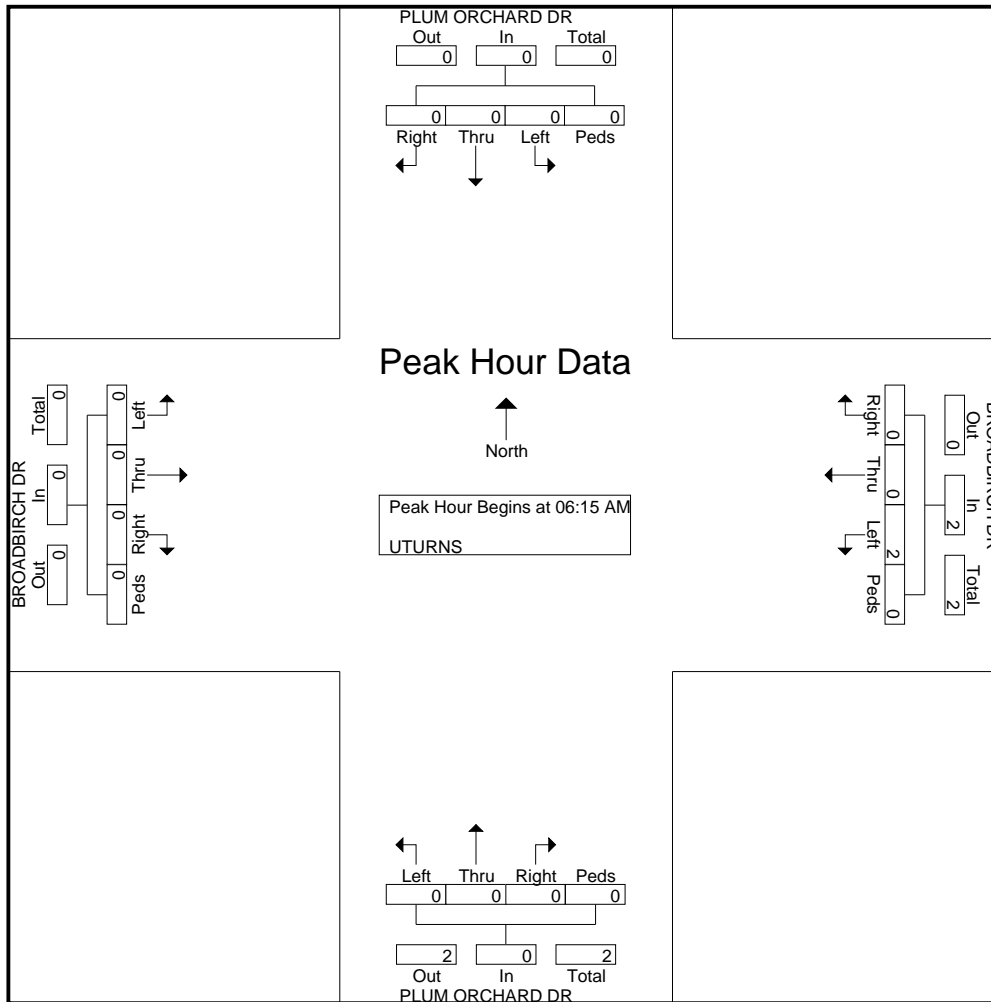


# Sabra, Wang & Assoc, Inc

7055 Samuel Morse Dr, Suite 100  
Columbia, MD 21046  
443-741-3500

File Name : Plum Orchard Rd at Broadbirch Dr  
Site Code : 00000000  
Start Date : 5/20/2015  
Page No : 3

Start Time	PLUM ORCHARD DR From North					BROADBIRCH DR From East					PLUM ORCHARD DR From South					BROADBIRCH DR From West					Int. Total
	Right	Thru	Left	Peds	App. Total	Right	Thru	Left	Peds	App. Total	Right	Thru	Left	Peds	App. Total	Right	Thru	Left	Peds	App. Total	
Peak Hour Analysis From 06:00 AM to 11:45 AM - Peak 1 of 1																					
Peak Hour for Entire Intersection Begins at 06:15 AM																					
06:15 AM	0	0	0	0	0	0	0	0	0	0	0	0	0	0	0	0	0	0	0	0	0
06:30 AM	0	0	0	0	0	0	0	1	0	1	0	0	0	0	0	0	0	0	0	0	1
06:45 AM	0	0	0	0	0	0	0	0	0	0	0	0	0	0	0	0	0	0	0	0	0
07:00 AM	0	0	0	0	0	0	0	1	0	1	0	0	0	0	0	0	0	0	0	0	1
Total Volume	0	0	0	0	0	0	0	2	0	2	0	0	0	0	0	0	0	0	0	0	2
% App. Total	0	0	0	0	0	0	0	100	0	0	0	0	0	0	0	0	0	0	0	0	0
PHF	.000	.000	.000	.000	.000	.000	.000	.500	.000	.500	.000	.000	.000	.000	.000	.000	.000	.000	.000	.000	.500



# Sabra, Wang & Assoc, Inc

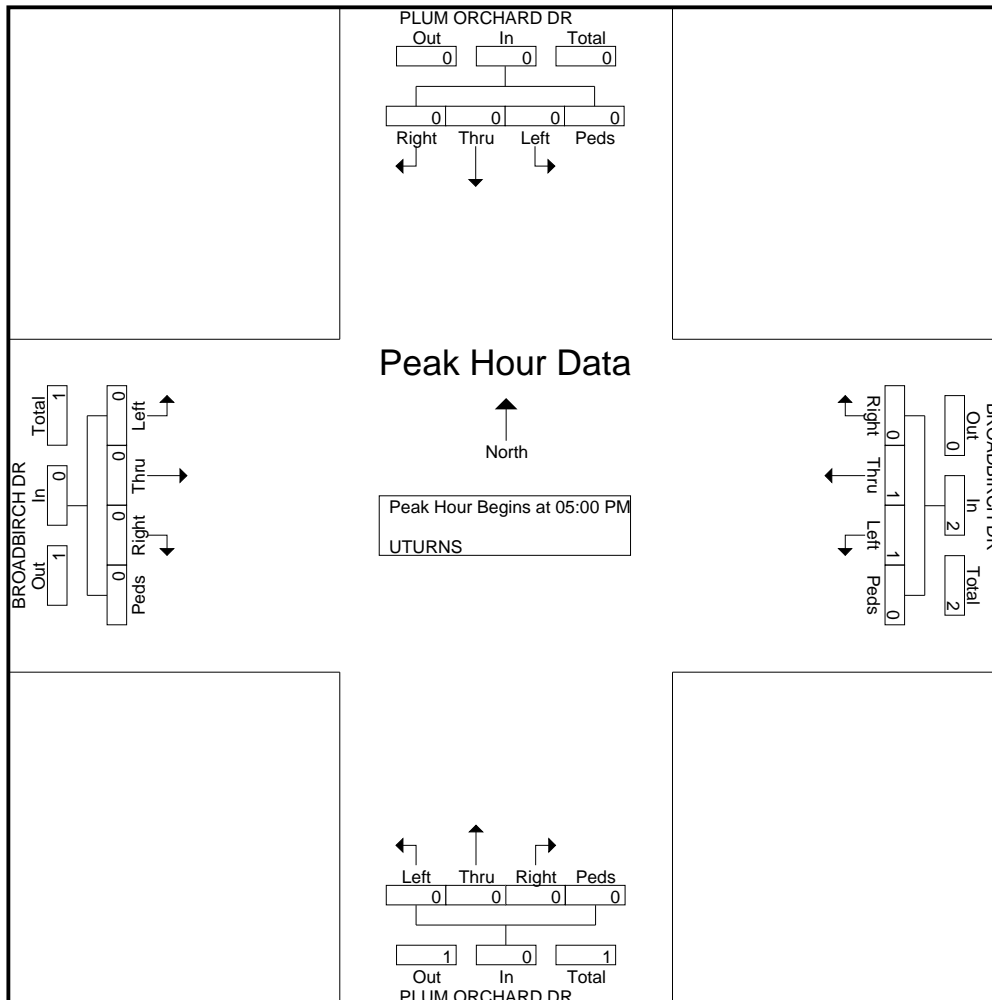
7055 Samuel Morse Dr, Suite 100  
Columbia, MD 21046  
443-741-3500

File Name : Plum Orchard Rd at Broadbirch Dr  
Site Code : 00000000  
Start Date : 5/20/2015  
Page No : 4

Start Time	PLUM ORCHARD DR From North					BROADBIRCH DR From East					PLUM ORCHARD DR From South					BROADBIRCH DR From West					Int. Total
	Right	Thru	Left	Peds	App. Total	Right	Thru	Left	Peds	App. Total	Right	Thru	Left	Peds	App. Total	Right	Thru	Left	Peds	App. Total	
05:00 PM	0	0	0	0	0	0	0	0	0	0	0	0	0	0	0	0	0	0	0	0	0
05:15 PM	0	0	0	0	0	0	0	0	0	0	0	0	0	0	0	0	0	0	0	0	0
05:30 PM	0	0	0	0	0	0	0	0	0	0	0	0	0	0	0	0	0	0	0	0	0
05:45 PM	0	0	0	0	0	0	<b>1</b>	<b>1</b>	0	<b>2</b>	0	0	0	0	0	0	0	0	0	0	<b>2</b>
Total Volume	0	0	0	0	0	0	1	1	0	2	0	0	0	0	0	0	0	0	0	0	2
% App. Total	0	0	0	0	0	0	50	50	0		0	0	0	0		0	0	0	0		
PHF	.000	.000	.000	.000	.000	.000	.250	.250	.000	.250	.000	.000	.000	.000	.000	.000	.000	.000	.000	.000	.250

Peak Hour Analysis From 12:00 PM to 06:45 PM - Peak 1 of 1

Peak Hour for Entire Intersection Begins at 05:00 PM





# Sabra, Wang & Assoc, Inc

7055 Samuel Morse Dr, Suite 100  
Columbia, MD 21046  
443-741-3500

Weather: SUNNY  
Counted By: DEB  
Town: SILVER SPRING  
County: MONTGOMERY

File Name : Plum Orchard Rd at Broadbirch Dr  
Site Code : 00000000  
Start Date : 5/20/2015  
Page No : 1

Groups Printed- BICYCLES

Start Time	PLUM ORCHARD DR From North					BROADBIRCH DR From East					PLUM ORCHARD DR From South					BROADBIRCH DR From West					Int. Total
	Right	Thru	Left	Peds	App. Total	Right	Thru	Left	Peds	App. Total	Right	Thru	Left	Peds	App. Total	Right	Thru	Left	Peds	App. Total	
**BREAK**																					
06:15 AM	0	0	0	0	0	0	0	0	0	0	0	0	0	0	0	0	1	0	0	1	1
06:30 AM	0	0	0	0	0	0	0	0	0	0	0	0	1	0	1	0	0	0	0	0	1
**BREAK**																					
Total	0	0	0	0	0	0	0	0	0	0	0	0	1	0	1	0	1	0	0	1	2
**BREAK**																					
06:45 PM	0	0	0	0	0	0	0	0	0	0	0	0	0	2	2	0	0	0	0	0	2
Total	0	0	0	0	0	0	0	0	0	0	0	0	0	2	2	0	0	0	0	0	2
Grand Total	0	0	0	0	0	0	0	0	0	0	0	0	1	2	3	0	1	0	0	1	4
Apprch %	0	0	0	0		0	0	0	0		0	0	33.3	66.7		0	100	0	0		
Total %	0	0	0	0	0	0	0	0	0	0	0	0	25	50	75	0	25	0	0	25	

# Sabra, Wang & Assoc, Inc

7055 Samuel Morse Dr, Suite 100  
Columbia, MD 21046

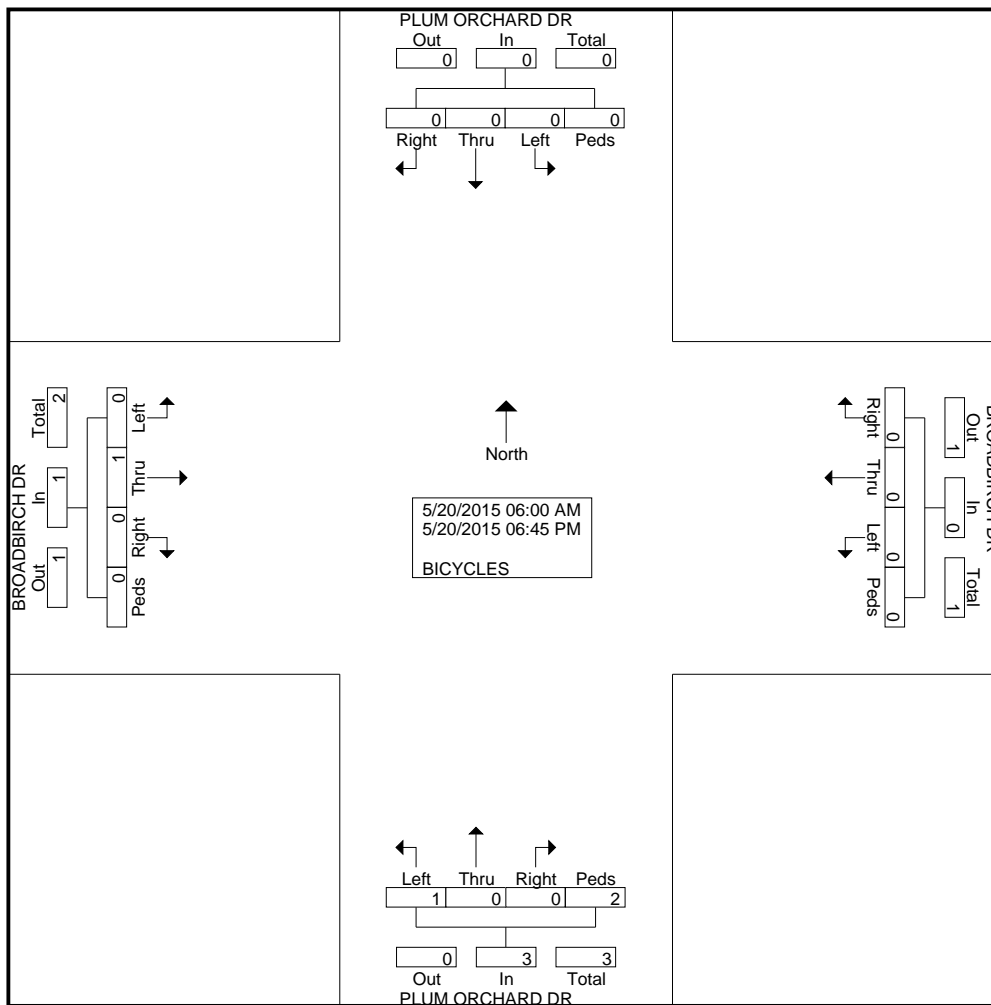
443-741-3500

File Name : Plum Orchard Rd at Broadbirch Dr

Site Code : 00000000

Start Date : 5/20/2015

Page No : 2



# Sabra, Wang & Assoc, Inc

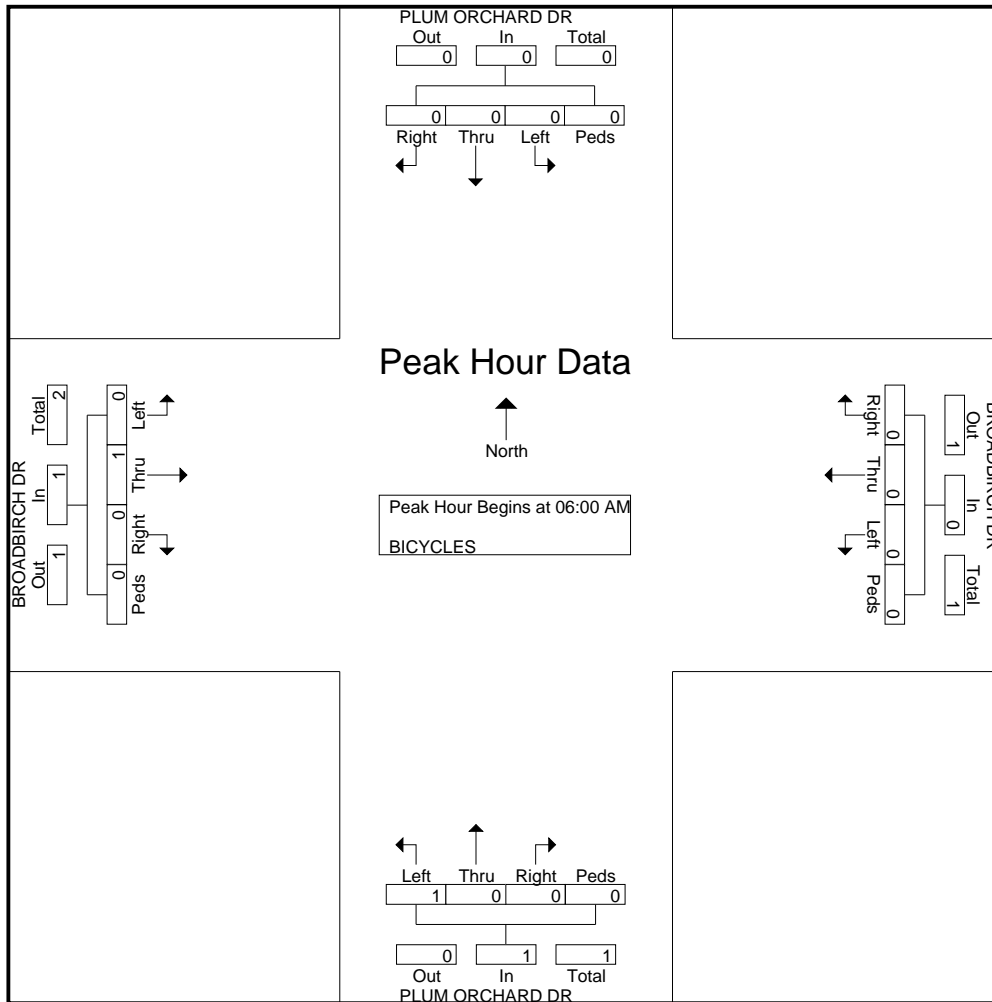
7055 Samuel Morse Dr, Suite 100  
Columbia, MD 21046  
443-741-3500

File Name : Plum Orchard Rd at Broadbirch Dr  
Site Code : 00000000  
Start Date : 5/20/2015  
Page No : 3

Start Time	PLUM ORCHARD DR From North					BROADBIRCH DR From East					PLUM ORCHARD DR From South					BROADBIRCH DR From West					Int. Total
	Right	Thru	Left	Peds	App. Total	Right	Thru	Left	Peds	App. Total	Right	Thru	Left	Peds	App. Total	Right	Thru	Left	Peds	App. Total	
06:00 AM	0	0	0	0	0	0	0	0	0	0	0	0	0	0	0	0	0	0	0	0	0
06:15 AM	0	0	0	0	0	0	0	0	0	0	0	0	0	0	0	0	<b>1</b>	0	0	<b>1</b>	<b>1</b>
06:30 AM	0	0	0	0	0	0	0	0	0	0	0	0	<b>1</b>	0	<b>1</b>	0	0	0	0	0	1
06:45 AM	0	0	0	0	0	0	0	0	0	0	0	0	0	0	0	0	0	0	0	0	0
Total Volume	0	0	0	0	0	0	0	0	0	0	0	0	1	0	1	0	1	0	0	1	2
% App. Total	0	0	0	0	0	0	0	0	0	0	0	0	100	0		0	100	0	0		
PHF	.000	.000	.000	.000	.000	.000	.000	.000	.000	.000	.000	.000	.250	.000	.250	.000	.250	.000	.000	.250	.500

Peak Hour Analysis From 06:00 AM to 11:45 AM - Peak 1 of 1

Peak Hour for Entire Intersection Begins at 06:00 AM



# Sabra, Wang & Assoc, Inc

7055 Samuel Morse Dr, Suite 100  
Columbia, MD 21046

443-741-3500

File Name : Plum Orchard Rd at Broadbirch Dr

Site Code : 00000000

Start Date : 5/20/2015

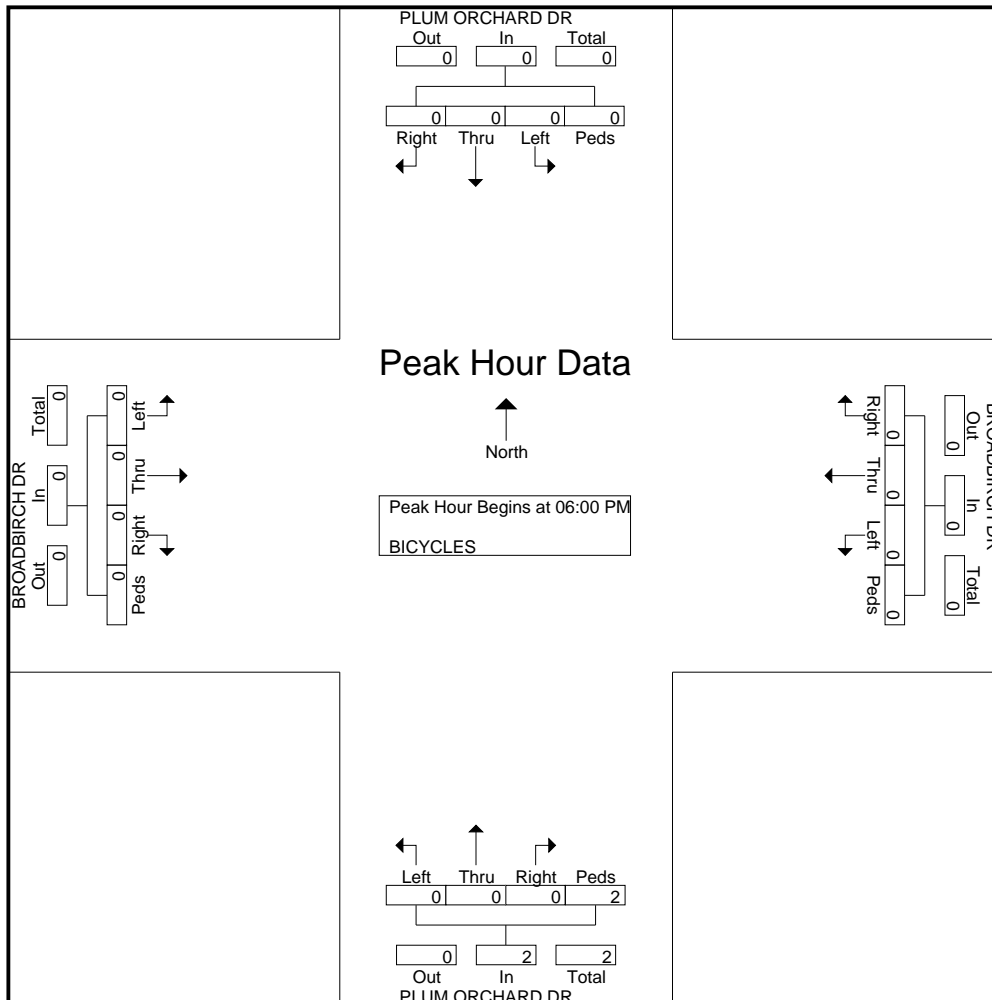
Page No : 4

Start Time	PLUM ORCHARD DR From North					BROADBIRCH DR From East					PLUM ORCHARD DR From South					BROADBIRCH DR From West					Int. Total
	Right	Thru	Left	Peds	App. Total	Right	Thru	Left	Peds	App. Total	Right	Thru	Left	Peds	App. Total	Right	Thru	Left	Peds	App. Total	

Peak Hour Analysis From 12:00 PM to 06:45 PM - Peak 1 of 1

Peak Hour for Entire Intersection Begins at 06:00 PM

06:00 PM	0	0	0	0	0	0	0	0	0	0	0	0	0	0	0	0	0	0	0	0	0
06:15 PM	0	0	0	0	0	0	0	0	0	0	0	0	0	0	0	0	0	0	0	0	0
06:30 PM	0	0	0	0	0	0	0	0	0	0	0	0	0	0	0	0	0	0	0	0	0
06:45 PM	0	0	0	0	0	0	0	0	0	0	0	0	0	2	2	0	0	0	0	0	2
Total Volume	0	0	0	0	0	0	0	0	0	0	0	0	0	2	2	0	0	0	0	0	2
% App. Total	0	0	0	0	0	0	0	0	0	0	0	0	0	100		0	0	0	0	0	
PHF	.000	.000	.000	.000	.000	.000	.000	.000	.000	.000	.000	.000	.000	.250	.250	.000	.000	.000	.000	.000	.250



# Sabra, Wang & Assoc, Inc

7055 Samuel Morse Dr, Suite 100  
Columbia, MD 21046

443-741-3500

Weather: SUNNY  
Counted By: JEREMY & DEVRIN  
Town: SILVER SPRING  
County: MONTGOMERY

File Name : Randolph Rd at Cherry Hill-US 29 Ramps  
Site Code : 00000000  
Start Date : 5/27/2015  
Page No : 1

## Groups Printed- VEHS&PEDS

Start Time	RAMPS TO/FROM US 29 From North					CHERRY HILL RD From East					RAMPS TO/FROM US 29 From South					RANDOLPH RD From West					Int. Total
	Right	Thru	Left	Peds	App. Total	Right	Thru	Left	Peds	App. Total	Right	Thru	Left	Peds	App. Total	Right	Thru	Left	Peds	App. Total	
06:00 AM	8	0	69	0	77	22	74	22	0	118	3	0	1	0	4	6	65	15	0	86	285
06:15 AM	9	0	90	0	99	39	150	65	0	254	2	0	1	0	3	5	99	14	0	118	474
06:30 AM	46	5	139	0	190	46	188	74	0	308	5	0	0	0	5	4	151	26	0	181	684
06:45 AM	54	3	181	0	238	66	196	47	0	309	15	0	4	0	19	7	142	19	0	168	734
Total	117	8	479	0	604	173	608	208	0	989	25	0	6	0	31	22	457	74	0	553	2177
07:00 AM	76	0	198	0	274	83	226	42	0	351	16	0	4	0	20	6	171	23	0	200	845
07:15 AM	59	2	228	0	289	75	207	36	1	319	18	0	11	0	29	8	212	42	0	262	899
07:30 AM	54	2	235	0	291	87	231	38	0	356	21	0	11	0	32	2	222	53	0	277	956
07:45 AM	30	0	258	0	288	80	252	43	1	376	20	0	7	0	27	10	287	35	0	332	1023
Total	219	4	919	0	1142	325	916	159	2	1402	75	0	33	0	108	26	892	153	0	1071	3723
08:00 AM	17	1	299	0	317	87	181	62	0	330	20	0	6	0	26	3	210	34	0	247	920
08:15 AM	25	0	248	0	273	70	212	54	0	336	24	0	4	0	28	3	252	35	0	290	927
08:30 AM	25	0	231	1	257	109	207	49	1	366	29	0	9	0	38	8	284	33	0	325	986
08:45 AM	19	0	207	1	227	65	148	46	1	260	18	0	3	0	21	7	188	34	0	229	737
Total	86	1	985	2	1074	331	748	211	2	1292	91	0	22	0	113	21	934	136	0	1091	3570
09:00 AM	13	0	185	0	198	75	118	30	0	223	22	0	6	0	28	19	197	31	0	247	696
09:15 AM	13	0	227	0	240	83	126	36	0	245	24	0	11	0	35	7	218	12	0	237	757
09:30 AM	12	0	166	0	178	72	136	43	1	252	30	0	10	0	40	10	179	12	0	201	671
09:45 AM	9	4	162	0	175	104	127	44	0	275	27	0	9	0	36	11	142	33	0	186	672
Total	47	4	740	0	791	334	507	153	1	995	103	0	36	0	139	47	736	88	0	871	2796
**BREAK**																					
04:00 PM	9	0	111	0	120	165	130	29	0	324	32	0	9	1	42	16	202	70	0	288	774
04:15 PM	14	0	118	0	132	143	180	36	0	359	28	0	12	0	40	11	247	54	0	312	843
04:30 PM	9	2	148	0	159	215	148	39	0	402	19	0	12	0	31	4	238	51	0	293	885
04:45 PM	12	1	159	0	172	176	121	42	0	339	20	0	8	0	28	4	297	49	0	350	889
Total	44	3	536	0	583	699	579	146	0	1424	99	0	41	1	141	35	984	224	0	1243	3391
05:00 PM	12	0	155	0	167	165	148	42	0	355	18	0	9	1	28	10	234	38	0	282	832
05:15 PM	14	0	116	0	130	164	181	32	0	377	21	0	0	0	21	5	257	66	0	328	856
05:30 PM	17	0	114	0	131	202	167	38	0	407	23	0	12	0	35	18	249	76	0	343	916

# Sabra, Wang & Assoc, Inc

7055 Samuel Morse Dr, Suite 100  
Columbia, MD 21046  
443-741-3500

File Name : Randolph Rd at Cherry Hill-US 29 Ramps

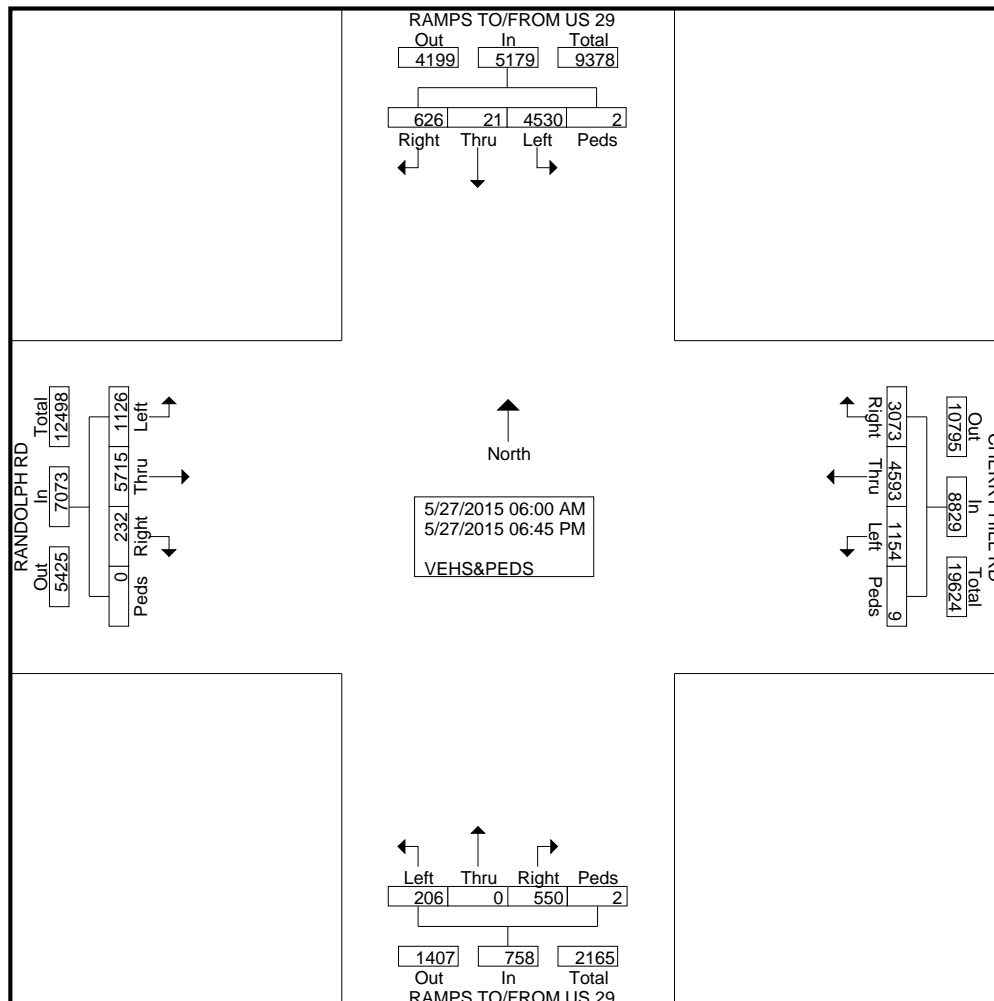
Site Code : 00000000

Start Date : 5/27/2015

Page No : 2

Groups Printed- VEHS&PEDS

Start Time	RAMPS TO/FROM US 29 From North					CHERRY HILL RD From East					RAMPS TO/FROM US 29 From South					RANDOLPH RD From West					Int. Total
	Right	Thru	Left	Peds	App. Total	Right	Thru	Left	Peds	App. Total	Right	Thru	Left	Peds	App. Total	Right	Thru	Left	Peds	App. Total	
05:45 PM	24	0	91	0	115	141	187	40	1	369	23	0	4	0	27	19	221	80	0	320	831
Total	67	0	476	0	543	672	683	152	1	1508	85	0	25	1	111	52	961	260	0	1273	3435
06:00 PM	10	1	78	0	89	165	111	22	1	299	11	0	6	0	17	6	173	42	0	221	626
06:15 PM	14	0	114	0	128	127	152	37	0	316	14	0	13	0	27	12	152	41	0	205	676
06:30 PM	17	0	105	0	122	137	157	38	1	333	17	0	12	0	29	9	206	70	0	285	769
06:45 PM	5	0	98	0	103	110	132	28	1	271	30	0	12	0	42	2	220	38	0	260	676
Total	46	1	395	0	442	539	552	125	3	1219	72	0	43	0	115	29	751	191	0	971	2747
Grand Total	626	21	4530	2	5179	3073	4593	1154	9	8829	550	0	206	2	758	232	5715	1126	0	7073	21839
Apprch %	12.1	0.4	87.5	0		34.8	52	13.1	0.1		72.6	0	27.2	0.3		3.3	80.8	15.9	0		
Total %	2.9	0.1	20.7	0		14.1	21	5.3	0		2.5	0	0.9	0		1.1	26.2	5.2	0		



# Sabra, Wang & Assoc, Inc

7055 Samuel Morse Dr, Suite 100  
Columbia, MD 21046  
443-741-3500

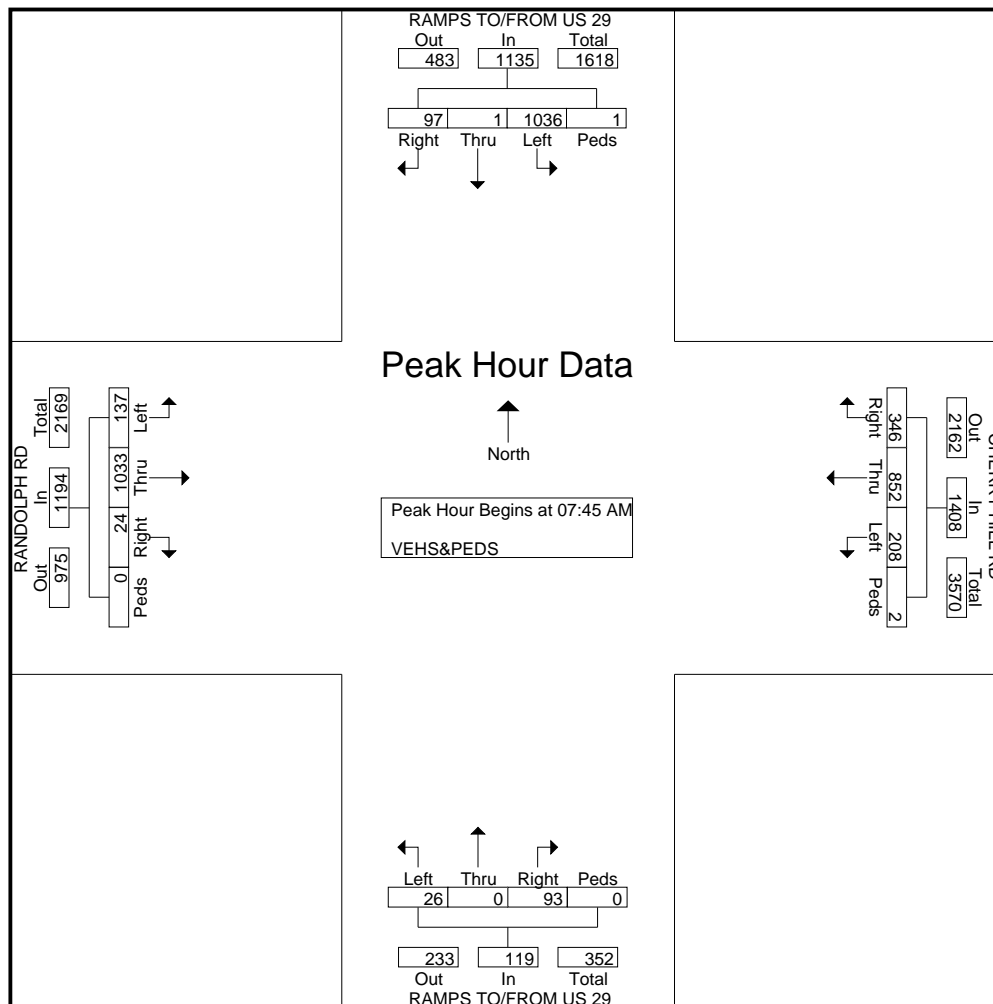
File Name : Randolph Rd at Cherry Hill-US 29 Ramps  
Site Code : 00000000  
Start Date : 5/27/2015  
Page No : 3

Start Time	RAMPS TO/FROM US 29 From North					CHERRY HILL RD From East					RAMPS TO/FROM US 29 From South					RANDOLPH RD From West					Int. Total
	Right	Thru	Left	Peds	App. Total	Right	Thru	Left	Peds	App. Total	Right	Thru	Left	Peds	App. Total	Right	Thru	Left	Peds	App. Total	

Peak Hour Analysis From 06:00 AM to 11:45 AM - Peak 1 of 1

Peak Hour for Entire Intersection Begins at 07:45 AM

07:45 AM	30	0	258	0	288	80	252	43	1	376	20	0	7	0	27	10	287	35	0	332	1023
08:00 AM	17	1	299	0	317	87	181	62	0	330	20	0	6	0	26	3	210	34	0	247	920
08:15 AM	25	0	248	0	273	70	212	54	0	336	24	0	4	0	28	3	252	35	0	290	927
08:30 AM	25	0	231	1	257	109	207	49	1	366	29	0	9	0	38	8	284	33	0	325	986
Total Volume	97	1	1036	1	1135	346	852	208	2	1408	93	0	26	0	119	24	1033	137	0	1194	3856
% App. Total	8.5	0.1	91.3	0.1		24.6	60.5	14.8	0.1		78.2	0	21.8	0		2	86.5	11.5	0		
PHF	.808	.250	.866	.250	.895	.794	.845	.839	.500	.936	.802	.000	.722	.000	.783	.600	.900	.979	.000	.899	.942



# Sabra, Wang & Assoc, Inc

7055 Samuel Morse Dr, Suite 100  
Columbia, MD 21046

443-741-3500

File Name : Randolph Rd at Cherry Hill-US 29 Ramps

Site Code : 00000000

Start Date : 5/27/2015

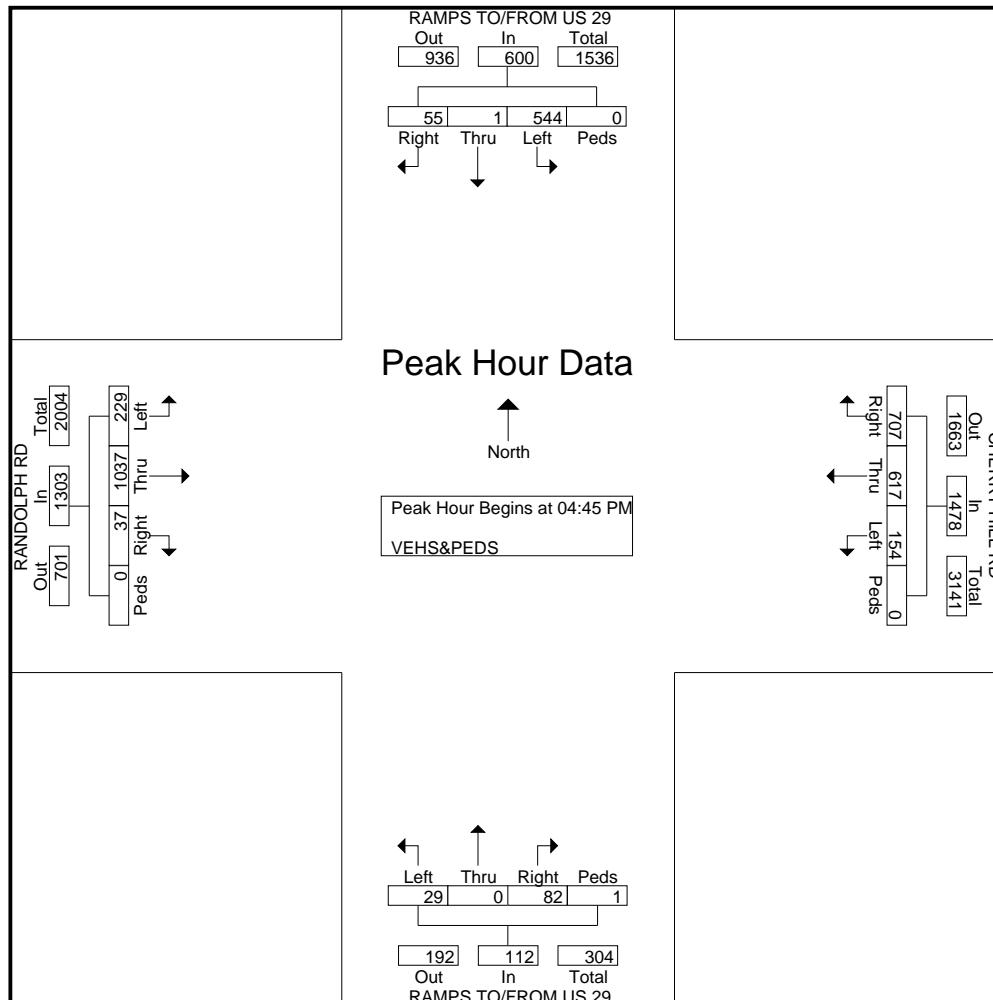
Page No : 4

Start Time	RAMPS TO/FROM US 29 From North					CHERRY HILL RD From East					RAMPS TO/FROM US 29 From South					RANDOLPH RD From West					Int. Total
	Right	Thru	Left	Peds	App. Total	Right	Thru	Left	Peds	App. Total	Right	Thru	Left	Peds	App. Total	Right	Thru	Left	Peds	App. Total	

Peak Hour Analysis From 12:00 PM to 06:45 PM - Peak 1 of 1

Peak Hour for Entire Intersection Begins at 04:45 PM

04:45 PM	12	<b>1</b>	<b>159</b>	0	<b>172</b>	176	121	<b>42</b>	0	339	20	0	8	0	28	4	<b>297</b>	49	0	<b>350</b>	889
05:00 PM	12	0	155	0	167	165	148	42	0	355	18	0	9	<b>1</b>	28	10	234	38	0	282	832
05:15 PM	14	0	116	0	130	164	<b>181</b>	32	0	377	21	0	0	0	21	5	257	66	0	328	856
05:30 PM	<b>17</b>	0	114	0	131	<b>202</b>	167	38	0	<b>407</b>	<b>23</b>	0	<b>12</b>	0	<b>35</b>	<b>18</b>	249	<b>76</b>	0	343	<b>916</b>
Total Volume	55	1	544	0	600	707	617	154	0	1478	82	0	29	1	112	37	1037	229	0	1303	3493
% App. Total	9.2	0.2	90.7	0		47.8	41.7	10.4	0		73.2	0	25.9	0.9		2.8	79.6	17.6	0		
PHF	.809	.250	.855	.000	.872	.875	.852	.917	.000	.908	.891	.000	.604	.250	.800	.514	.873	.753	.000	.931	.953





# Sabra, Wang & Assoc, Inc

7055 Samuel Morse Dr, Suite 100  
Columbia, MD 21046  
443-741-3500

Weather: SUNNY  
Counted By: JEREMY & DEVRIN  
Town: SILVER SPRING  
County: MONTGOMERY

File Name : Randolph Rd at Cherry Hill-US 29 Ramps  
Site Code : 00000000  
Start Date : 5/27/2015  
Page No : 1

Groups Printed- BICYCLES

Start Time	RAMPS TO/FROM US 29 From North					CHERRY HILL RD From East					RAMPS TO/FROM US 29 From South					RANDOLPH RD From West					Int. Total
	Right	Thru	Left	Peds	App. Total	Right	Thru	Left	Peds	App. Total	Right	Thru	Left	Peds	App. Total	Right	Thru	Left	Peds	App. Total	
**BREAK**																					
04:00 PM	0	0	0	0	0	0	1	0	0	1	0	0	0	0	0	0	0	0	0	0	1
**BREAK**																					
04:45 PM	0	0	0	0	0	0	0	1	0	1	0	0	0	0	0	0	0	0	0	0	1
Total	0	0	0	0	0	0	1	1	0	2	0	0	0	0	0	0	0	0	0	0	2
**BREAK**																					
05:30 PM	0	0	0	0	0	0	1	0	0	1	0	0	0	0	0	0	0	0	0	0	1
05:45 PM	0	0	0	0	0	0	1	0	0	1	0	0	0	0	0	0	0	0	0	0	1
Total	0	0	0	0	0	0	2	0	0	2	0	0	0	0	0	0	0	0	0	0	2
**BREAK**																					
06:30 PM	0	0	1	0	1	0	1	0	0	1	0	0	0	0	0	0	0	0	0	0	2
**BREAK**																					
Total	0	0	1	0	1	0	1	0	0	1	0	0	0	0	0	0	0	0	0	0	2
Grand Total	0	0	1	0	1	0	4	1	0	5	0	0	0	0	0	0	0	0	0	0	6
Apprch %	0	0	100	0		0	80	20	0		0	0	0	0		0	0	0	0		
Total %	0	0	16.7	0	16.7	0	66.7	16.7	0	83.3	0	0	0	0	0	0	0	0	0	0	

# Sabra, Wang & Assoc, Inc

7055 Samuel Morse Dr, Suite 100  
Columbia, MD 21046

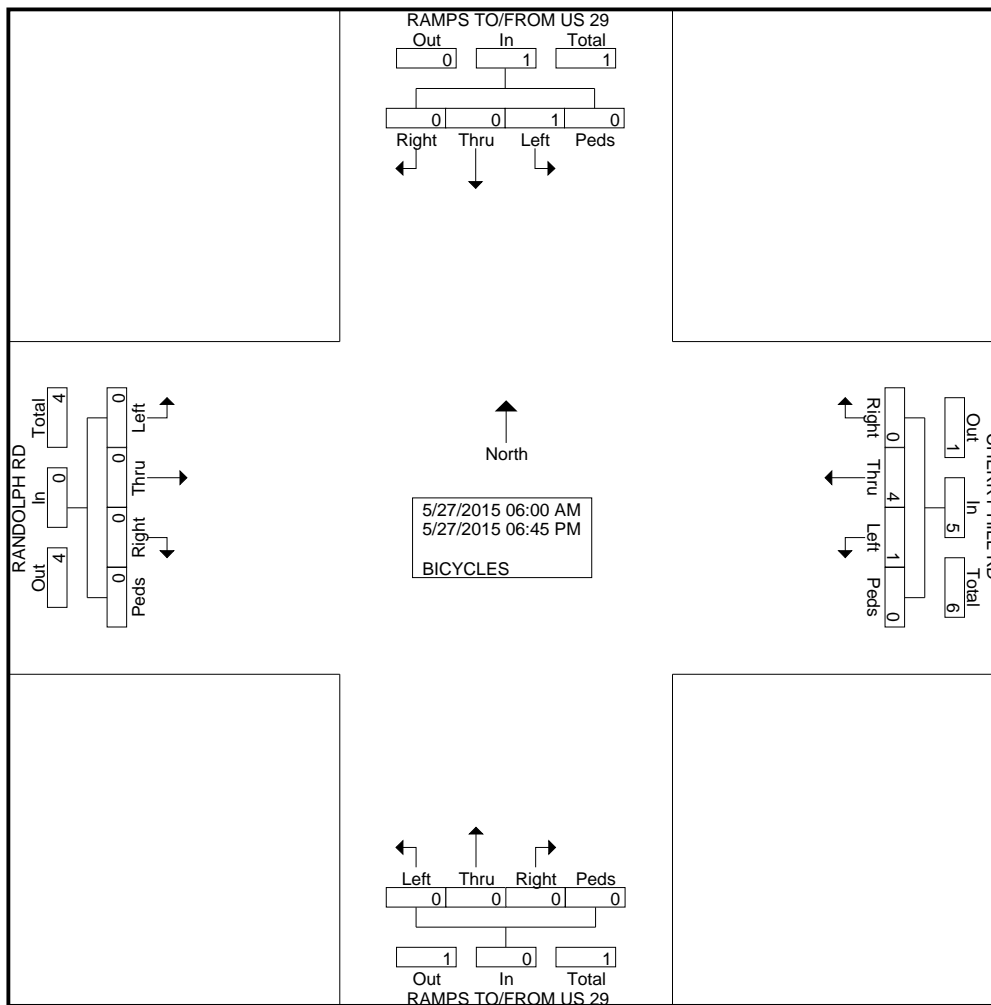
443-741-3500

File Name : Randolph Rd at Cherry Hill-US 29 Ramps

Site Code : 00000000

Start Date : 5/27/2015

Page No : 2



# Sabra, Wang & Assoc, Inc

7055 Samuel Morse Dr, Suite 100  
Columbia, MD 21046

443-741-3500

File Name : Randolph Rd at Cherry Hill-US 29 Ramps

Site Code : 00000000

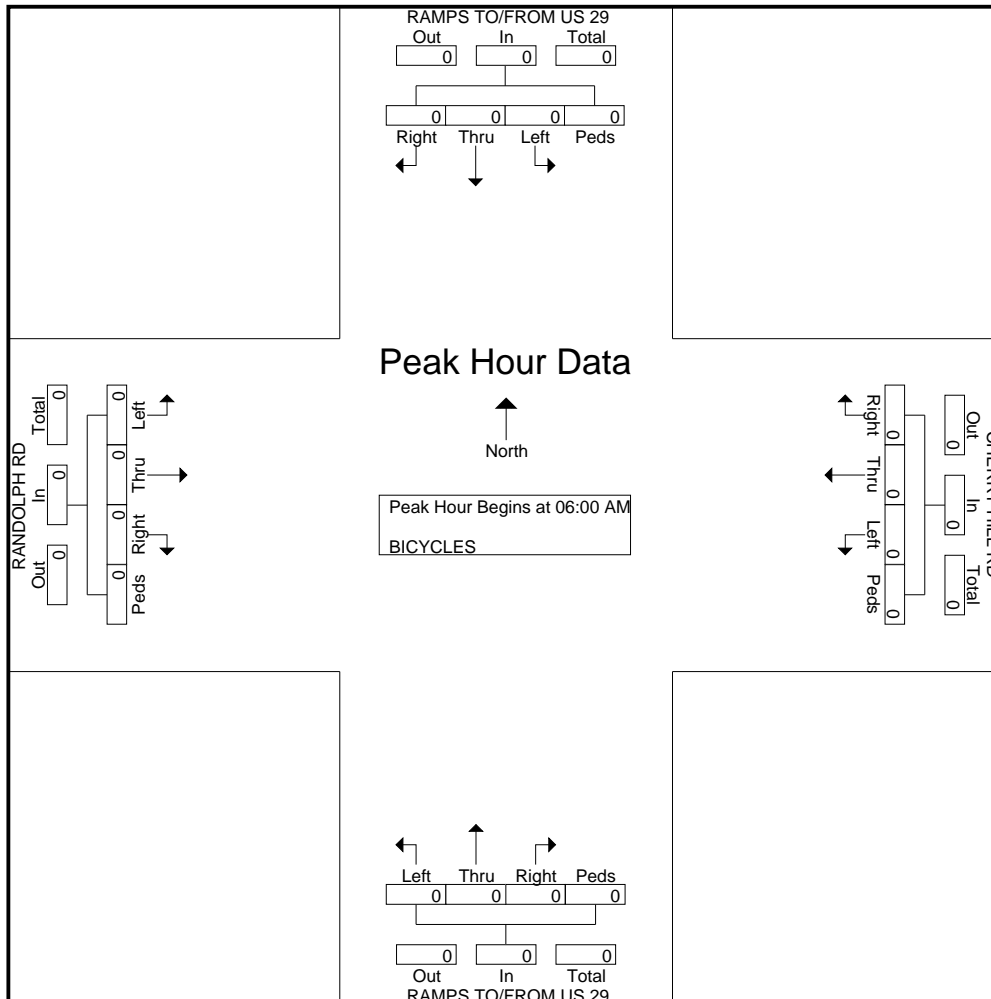
Start Date : 5/27/2015

Page No : 3

Start Time	RAMPS TO/FROM US 29 From North					CHERRY HILL RD From East					RAMPS TO/FROM US 29 From South					RANDOLPH RD From West					Int. Total
	Right	Thru	Left	Peds	App. Total	Right	Thru	Left	Peds	App. Total	Right	Thru	Left	Peds	App. Total	Right	Thru	Left	Peds	App. Total	
06:00 AM	0	0	0	0	0	0	0	0	0	0	0	0	0	0	0	0	0	0	0	0	0
06:15 AM	0	0	0	0	0	0	0	0	0	0	0	0	0	0	0	0	0	0	0	0	0
06:30 AM	0	0	0	0	0	0	0	0	0	0	0	0	0	0	0	0	0	0	0	0	0
06:45 AM	0	0	0	0	0	0	0	0	0	0	0	0	0	0	0	0	0	0	0	0	0
Total Volume	0	0	0	0	0	0	0	0	0	0	0	0	0	0	0	0	0	0	0	0	0
% App. Total	0	0	0	0	0	0	0	0	0	0	0	0	0	0	0	0	0	0	0	0	0
PHF	.000	.000	.000	.000	.000	.000	.000	.000	.000	.000	.000	.000	.000	.000	.000	.000	.000	.000	.000	.000	.000

Peak Hour Analysis From 06:00 AM to 11:45 AM - Peak 1 of 1

Peak Hour for Entire Intersection Begins at 06:00 AM



# Sabra, Wang & Assoc, Inc

7055 Samuel Morse Dr, Suite 100  
Columbia, MD 21046

443-741-3500

File Name : Randolph Rd at Cherry Hill-US 29 Ramps

Site Code : 00000000

Start Date : 5/27/2015

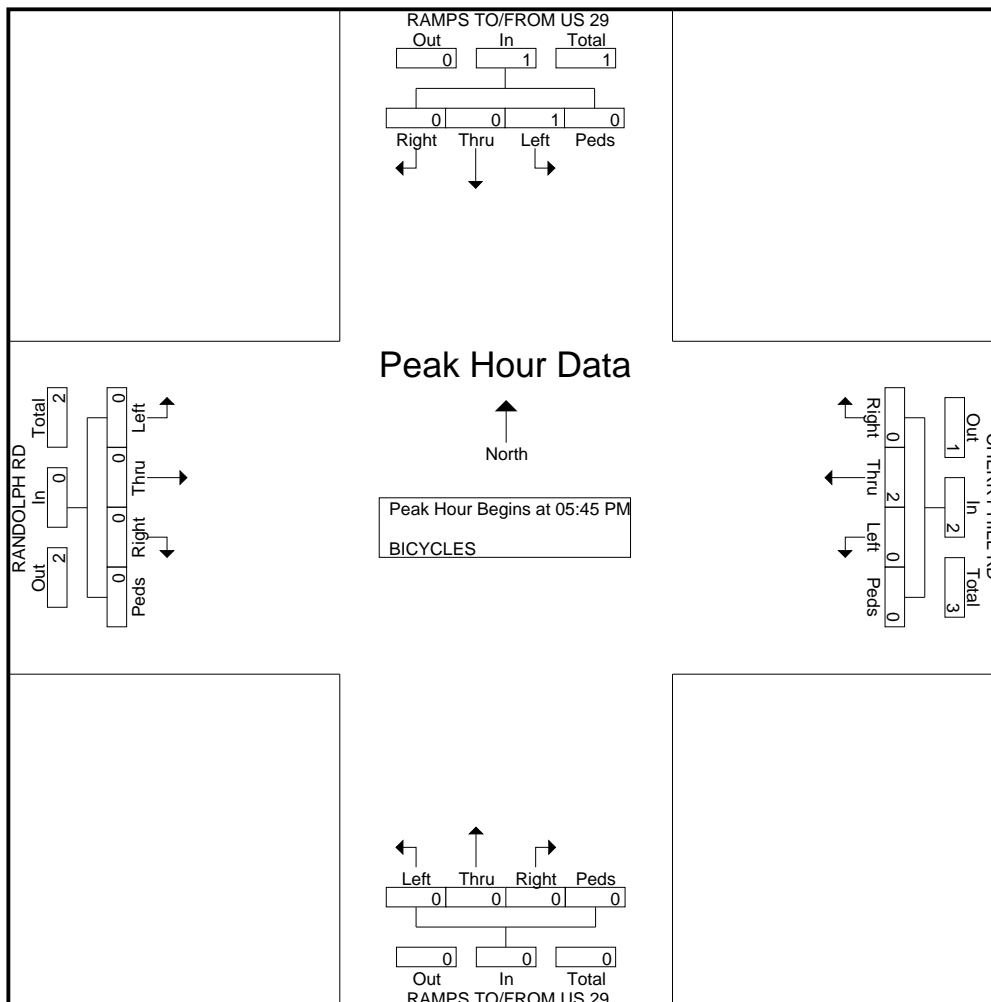
Page No : 4

Start Time	RAMPS TO/FROM US 29 From North					CHERRY HILL RD From East					RAMPS TO/FROM US 29 From South					RANDOLPH RD From West					Int. Total
	Right	Thru	Left	Peds	App. Total	Right	Thru	Left	Peds	App. Total	Right	Thru	Left	Peds	App. Total	Right	Thru	Left	Peds	App. Total	

Peak Hour Analysis From 12:00 PM to 06:45 PM - Peak 1 of 1

Peak Hour for Entire Intersection Begins at 05:45 PM

05:45 PM	0	0	0	0	0	0	1	0	0	1	0	0	0	0	0	0	0	0	0	0	0	1
06:00 PM	0	0	0	0	0	0	0	0	0	0	0	0	0	0	0	0	0	0	0	0	0	0
06:15 PM	0	0	0	0	0	0	0	0	0	0	0	0	0	0	0	0	0	0	0	0	0	0
06:30 PM	0	0	1	0	1	0	1	0	0	1	0	0	0	0	0	0	0	0	0	0	0	2
Total Volume	0	0	1	0	1	0	2	0	0	2	0	0	0	0	0	0	0	0	0	0	0	3
% App. Total	0	0	100	0		0	100	0	0		0	0	0	0		0	0	0	0			
PHF	.000	.000	.250	.000	.250	.000	.500	.000	.000	.500	.000	.000	.000	.000	.000	.000	.000	.000	.000	.000	.000	.375



# Sabra, Wang & Assoc, Inc

7055 Samuel Morse Dr, Suite 100

Columbia, MD 21046

443-741-3500

Weather: SUNNY  
 Counted by: CHANEL  
 Town: SILVER SPRING  
 County: MONTGOMERY

File Name : Serpentine Way at Randolph Rd  
 Site Code : 00000000  
 Start Date : 5/19/2015  
 Page No : 1

## Groups Printed- VEHS&PEDS

Start Time	SERPENTINE WAY From North					RANDOLPH RD From East					ENTRANCE TO CHURCH From South					RANDOLPH RD From West					Int. Total
	Right	Thru	Left	Peds	App. Total	Right	Thru	Left	Peds	App. Total	Right	Thru	Left	Peds	App. Total	Right	Thru	Left	Peds	App. Total	
06:00 AM	1	0	15	0	16	1	76	0	0	77	0	0	0	2	2	0	100	0	1	101	196
06:15 AM	2	0	13	1	16	2	135	0	0	137	0	0	0	0	0	0	123	0	1	124	277
06:30 AM	2	0	22	2	26	4	186	1	0	191	1	0	0	0	1	0	124	0	0	124	342
06:45 AM	15	0	17	0	32	9	280	0	0	289	1	0	0	1	2	1	195	2	0	198	521
Total	20	0	67	3	90	16	677	1	0	694	2	0	0	3	5	1	542	2	2	547	1336
07:00 AM	11	0	27	2	40	9	264	0	0	273	0	0	0	1	1	0	159	7	0	166	480
07:15 AM	12	0	15	0	27	9	274	0	0	283	0	0	0	2	2	0	204	0	0	204	516
07:30 AM	10	0	23	0	33	7	245	0	0	252	0	0	0	2	2	0	192	1	0	193	480
07:45 AM	20	0	19	1	40	9	306	0	0	315	0	0	0	1	1	0	231	1	3	235	591
Total	53	0	84	3	140	34	1089	0	0	1123	0	0	0	6	6	0	786	9	3	798	2067
08:00 AM	3	0	16	0	19	11	232	0	1	244	0	0	0	2	2	0	218	4	0	222	487
08:15 AM	6	0	24	1	31	8	260	0	0	268	0	0	0	1	1	0	239	3	4	246	546
08:30 AM	6	0	28	0	34	9	204	3	0	216	1	0	0	2	3	0	223	1	2	226	479
08:45 AM	3	0	17	0	20	17	219	2	0	238	1	0	0	0	1	0	231	4	0	235	494
Total	18	0	85	1	104	45	915	5	1	966	2	0	0	5	7	0	911	12	6	929	2006
09:00 AM	4	0	16	0	20	4	143	0	0	147	1	0	0	1	2	1	213	2	0	216	385
09:15 AM	5	0	11	1	17	10	160	2	0	172	0	1	1	2	4	0	222	3	2	227	420
09:30 AM	1	1	11	0	13	10	159	1	0	170	0	0	0	0	0	0	169	2	0	171	354
09:45 AM	2	0	14	4	20	6	132	2	1	141	1	0	0	1	2	0	166	4	0	170	333
Total	12	1	52	5	70	30	594	5	1	630	2	1	1	4	8	1	770	11	2	784	1492
*** BREAK ***																					
04:00 PM	0	0	13	0	13	21	261	1	1	284	1	0	0	0	1	0	238	5	0	243	541
04:15 PM	3	0	11	0	14	11	213	1	0	225	0	0	0	0	0	0	239	5	0	244	483
04:30 PM	3	0	11	1	15	21	257	0	1	279	0	0	0	2	2	0	239	8	2	249	545
04:45 PM	6	0	15	0	21	27	222	3	3	255	1	0	0	0	1	0	229	4	1	234	511
Total	12	0	50	1	63	80	953	5	5	1043	2	0	0	2	4	0	945	22	3	970	2080
05:00 PM	4	0	7	1	12	26	256	2	0	284	3	1	0	1	5	0	227	5	2	234	535
05:15 PM	6	0	10	4	20	28	229	0	0	257	0	0	0	1	1	0	230	7	0	237	515
05:30 PM	1	0	12	0	13	24	301	0	0	325	0	0	0	0	0	0	230	6	0	236	574
05:45 PM	4	0	13	1	18	20	234	1	5	260	0	0	0	0	0	0	237	7	0	244	522
Total	15	0	42	6	63	98	1020	3	5	1126	3	1	0	2	6	0	924	25	2	951	2146
06:00 PM	2	0	13	1	16	24	257	0	0	281	0	0	0	0	0	0	221	1	0	222	519
06:15 PM	5	0	7	2	14	19	226	1	0	246	1	0	0	0	1	0	182	4	7	193	454
06:30 PM	5	0	12	2	19	19	215	2	0	236	2	0	1	0	3	2	213	4	0	219	477
06:45 PM	2	0	15	1	18	29	171	3	0	203	0	0	0	1	1	0	199	10	0	209	431
Total	14	0	47	6	67	91	869	6	0	966	3	0	1	1	5	2	815	19	7	843	1881
Grand Total	144	1	427	25	597	394	6117	25	12	6548	14	2	2	23	41	4	5693	100	25	5822	13008
Apprch %	24.1	0.2	71.5	4.2		6	93.4	0.4	0.2		34.1	4.9	4.9	56.1		0.1	97.8	1.7	0.4		
Total %	1.1	0	3.3	0.2	4.6	3	47	0.2	0.1	50.3	0.1	0	0	0.2	0.3	0	43.8	0.8	0.2	44.8	

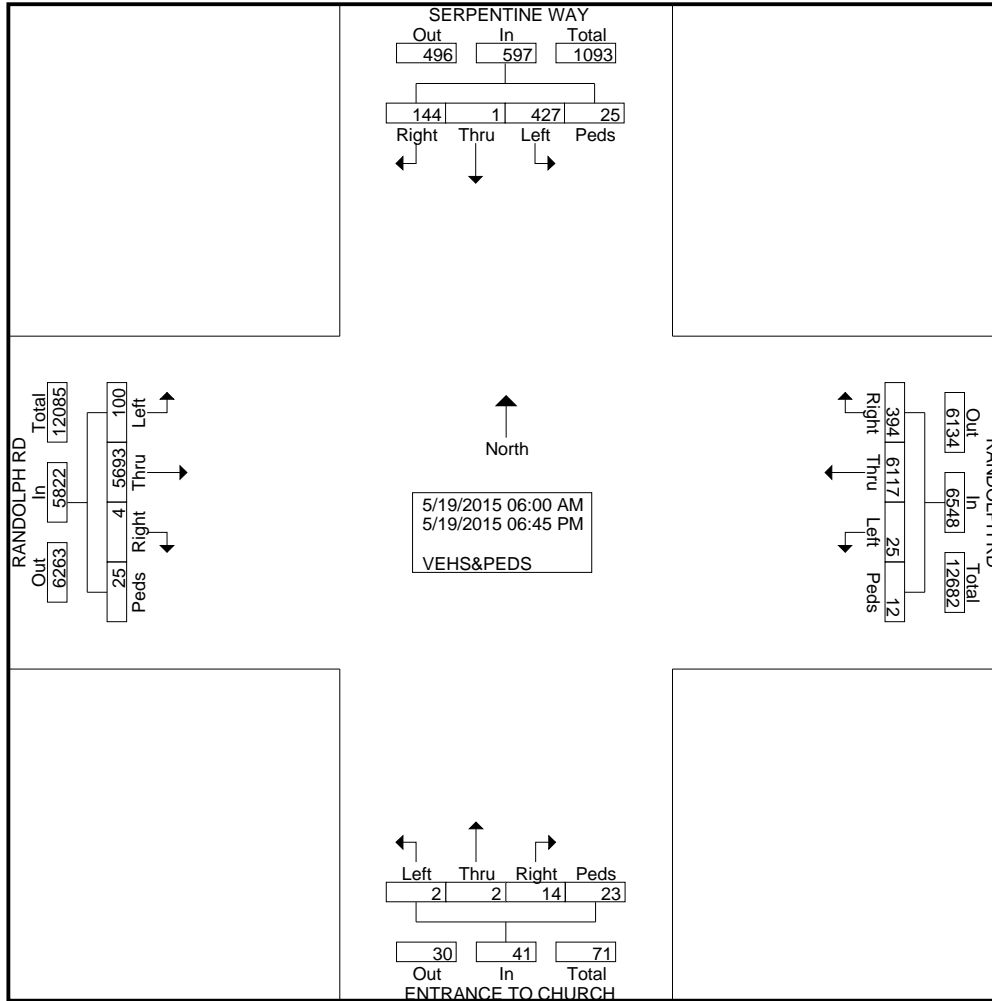
# Sabra, Wang & Assoc, Inc

7055 Samuel Morse Dr, Suite 100  
Columbia, MD 21046

443-741-3500

Weather: SUNNY  
Counted by: CHANEL  
Town: SILVER SPRING  
County: MONTGOMERY

File Name : Serpentine Way at Randolph Rd  
Site Code : 00000000  
Start Date : 5/19/2015  
Page No : 2



# Sabra, Wang & Assoc, Inc

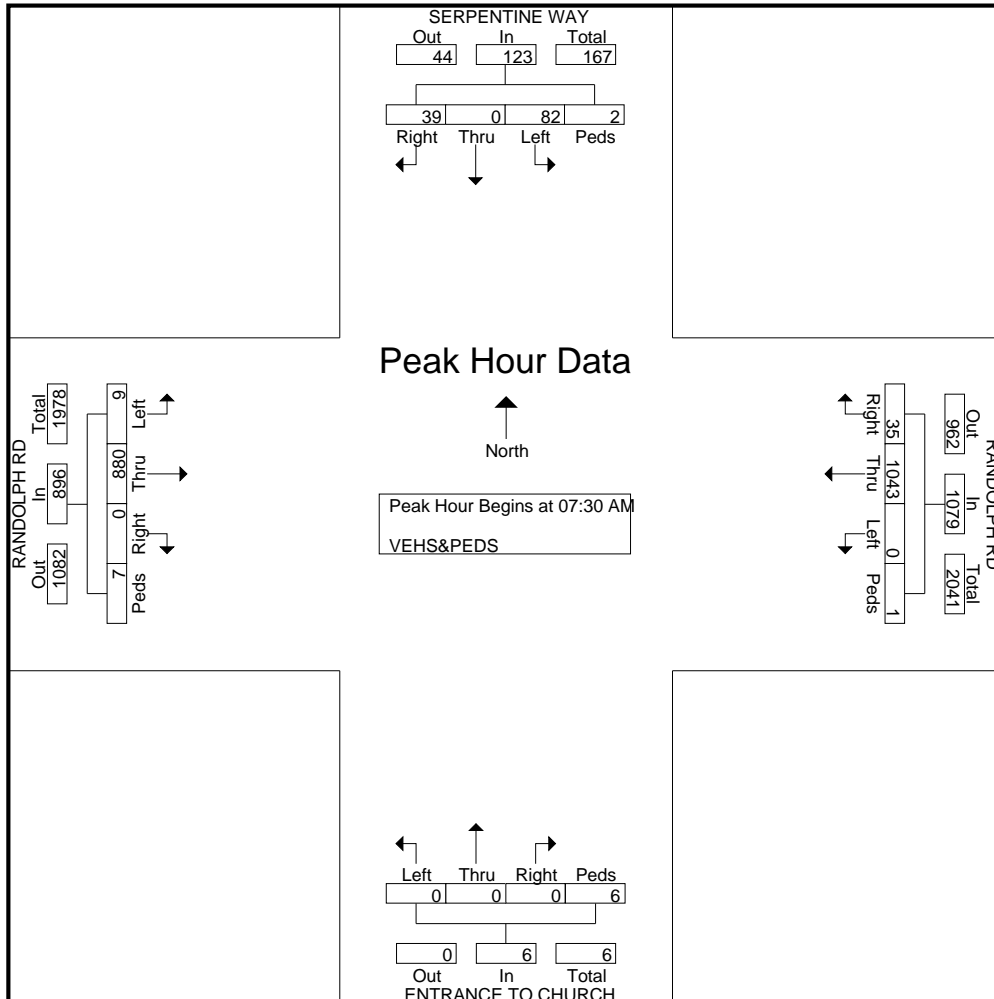
7055 Samuel Morse Dr, Suite 100  
Columbia, MD 21046

443-741-3500

Weather: SUNNY  
Counted by: CHANEL  
Town: SILVER SPRING  
County: MONTGOMERY

File Name : Serpentine Way at Randolph Rd  
Site Code : 00000000  
Start Date : 5/19/2015  
Page No : 3

Start Time	SERPENTINE WAY From North					RANDOLPH RD From East					ENTRANCE TO CHURCH From South					RANDOLPH RD From West					Int. Total
	Right	Thru	Left	Peds	App. Total	Right	Thru	Left	Peds	App. Total	Right	Thru	Left	Peds	App. Total	Right	Thru	Left	Peds	App. Total	
Peak Hour Analysis From 06:00 AM to 11:45 AM - Peak 1 of 1																					
Peak Hour for Entire Intersection Begins at 07:30 AM																					
07:30 AM	10	0	23	0	33	7	245	0	0	252	0	0	0	2	2	0	192	1	0	193	480
07:45 AM	20	0	19	1	40	9	306	0	0	315	0	0	0	1	1	0	231	1	3	235	591
08:00 AM	3	0	16	0	19	11	232	0	1	244	0	0	0	2	2	0	218	4	0	222	487
08:15 AM	6	0	24	1	31	8	260	0	0	268	0	0	0	1	1	0	239	3	4	246	546
Total Volume	39	0	82	2	123	35	1043	0	1	1079	0	0	0	6	6	0	880	9	7	896	2104
% App. Total	31.7	0	66.7	1.6		3.2	96.7	0	0.1		0	0	0	100		0	98.2	1	0.8		
PHF	.488	.000	.854	.500	.769	.795	.852	.000	.250	.856	.000	.000	.000	.750	.750	.000	.921	.563	.438	.911	.890



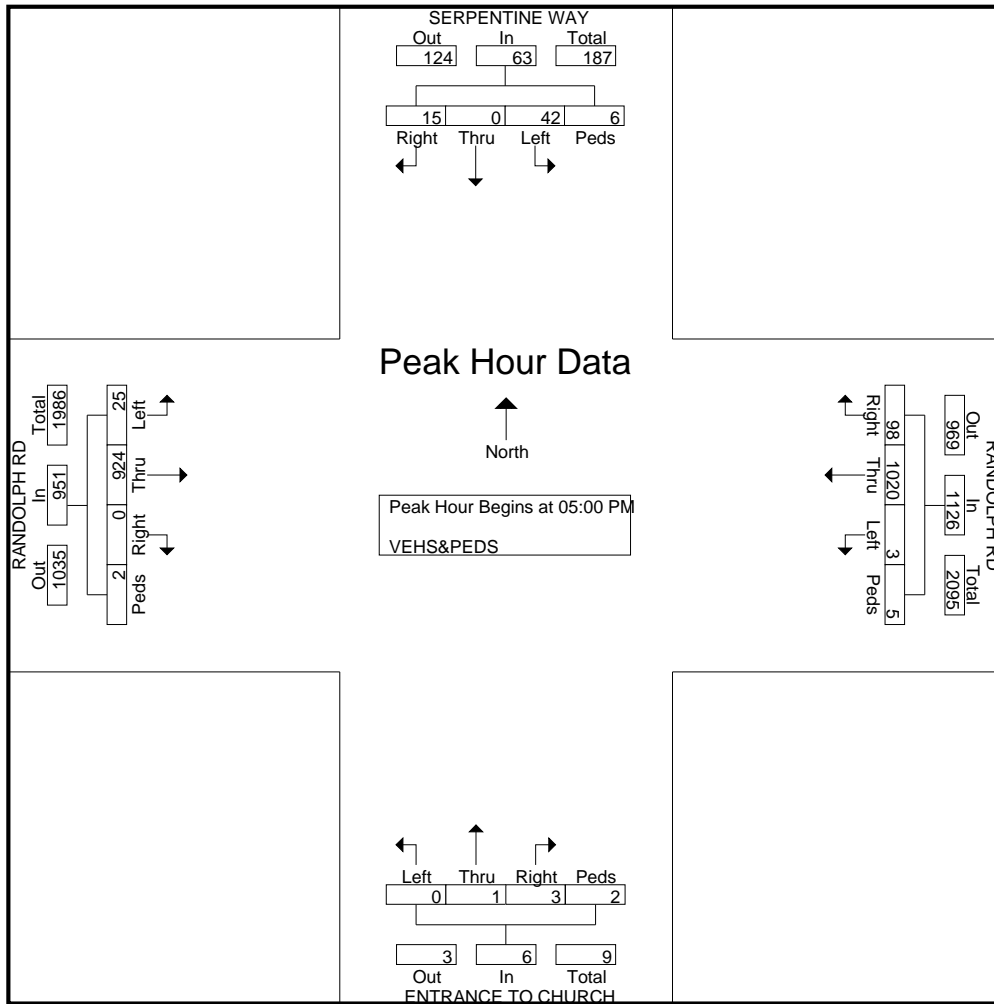
# Sabra, Wang & Assoc, Inc

7055 Samuel Morse Dr, Suite 100  
Columbia, MD 21046  
443-741-3500

Weather: SUNNY  
Counted by: CHANEL  
Town: SILVER SPRING  
County: MONTGOMERY

File Name : Serpentine Way at Randolph Rd  
Site Code : 00000000  
Start Date : 5/19/2015  
Page No : 4

Start Time	SERPENTINE WAY From North					RANDOLPH RD From East					ENTRANCE TO CHURCH From South					RANDOLPH RD From West					Int. Total
	Rig ht	Thr u	Left	Ped s	App. Total	Rig ht	Thr u	Left	Ped s	App. Total	Right	Thr u	Left	Peds	App. Total	Right	Thr u	Left	Peds	App. Total	
Peak Hour Analysis From 12:00 PM to 06:45 PM - Peak 1 of 1																					
Peak Hour for Entire Intersection Begins at 05:00 PM																					
05:00 PM	4	0	7	1	12	26	256	2	0	284	3	1	0	1	5	0	227	5	2	234	535
05:15 PM	6	0	10	4	20	28	229	0	0	257	0	0	0	1	1	0	230	7	0	237	515
05:30 PM	1	0	12	0	13	24	301	0	0	325	0	0	0	0	0	0	230	6	0	236	574
05:45 PM	4	0	13	1	18	20	234	1	5	260	0	0	0	0	0	0	237	7	0	244	522
Total Volume	15	0	42	6	63	98	1020	3	5	1126	3	1	0	2	6	0	924	25	2	951	2146
% App. Total	23.8	0	66.7	9.5		8.7	90.6	0.3	0.4		50	16.7	0	33.3		0	97.2	2.6	0.2		
PHF	.625	.000	.808	.375	.788	.875	.847	.375	.250	.866	.250	.250	.000	.500	.300	.000	.975	.893	.250	.974	.935





# Sabra, Wang & Assoc, Inc

7055 Samuel Morse Dr, Suite 100  
Columbia, MD 21046

443-741-3500

Weather: SUNNY  
Counted By: CHANEL  
Town: SILVER SPRING  
County: MONTGOMERY

File Name : Tech Rd and Broadbirch  
Site Code : 00000000  
Start Date : 5/14/2015  
Page No : 1

## Groups Printed- VEHS&PEDS

Start Time	BROADBIRCH DR From North					TECH RD From East					NO ENTRANCE From South					TECH RD From West					Int. Total
	Right	Thru	Left	Peds	App. Total	Right	Thru	Left	Peds	App. Total	Right	Thru	Left	Peds	App. Total	Right	Thru	Left	Peds	App. Total	
06:00 AM	42	0	17	1	60	11	1	0	3	15	0	0	0	1	1	0	14	34	1	49	125
06:15 AM	42	0	23	8	73	7	5	0	0	12	0	0	0	0	0	0	13	24	0	37	122
06:30 AM	52	0	38	2	92	20	3	0	1	24	0	0	0	2	2	0	13	28	1	42	160
06:45 AM	36	0	31	5	72	16	6	0	5	27	0	0	0	2	2	0	14	33	0	47	148
Total	172	0	109	16	297	54	15	0	9	78	0	0	0	5	5	0	54	119	2	175	555
07:00 AM	85	0	58	1	144	36	10	0	5	51	0	0	0	0	0	0	45	69	2	116	311
07:15 AM	32	0	40	4	76	29	9	0	1	39	0	0	0	2	2	0	32	41	2	75	192
07:30 AM	45	0	58	8	111	38	8	0	3	49	0	0	0	1	1	0	29	46	1	76	237
07:45 AM	33	0	53	3	89	33	7	0	1	41	0	0	0	0	0	0	46	63	1	110	240
Total	195	0	209	16	420	136	34	0	10	180	0	0	0	3	3	0	152	219	6	377	980
08:00 AM	33	0	66	4	103	31	15	0	2	48	0	0	0	0	0	0	59	63	0	122	273
08:15 AM	32	0	57	4	93	44	13	0	3	60	0	0	0	0	0	0	56	56	0	112	265
08:30 AM	50	0	62	4	116	50	13	0	0	63	0	0	0	0	0	0	41	48	0	89	268
08:45 AM	40	0	68	1	109	47	15	0	2	64	0	0	0	2	2	0	43	80	1	124	299
Total	155	0	253	13	421	172	56	0	7	235	0	0	0	2	2	0	199	247	1	447	1105
09:00 AM	58	0	39	4	101	58	18	0	4	80	0	0	0	0	0	0	49	73	0	122	303
09:15 AM	60	0	66	3	129	51	26	0	1	78	0	0	0	0	0	0	30	77	2	109	316
09:30 AM	48	0	35	4	87	41	9	0	2	52	0	0	0	0	0	0	21	60	4	85	224
09:45 AM	52	0	52	3	107	50	21	0	0	71	0	0	0	2	2	0	24	62	2	88	268
Total	218	0	192	14	424	200	74	0	7	281	0	0	0	2	2	0	124	272	8	404	1111
*** BREAK ***																					
04:00 PM	74	0	30	5	109	100	41	0	7	148	0	0	0	1	1	0	19	53	3	75	333
04:15 PM	93	0	43	4	140	95	35	0	4	134	0	0	0	0	0	0	12	74	1	87	361
04:30 PM	104	0	49	3	156	116	36	0	5	157	0	0	0	2	2	0	11	46	1	58	373
04:45 PM	100	0	47	5	152	108	35	0	0	143	0	0	0	1	1	0	23	48	3	74	370
Total	371	0	169	17	557	419	147	0	16	582	0	0	0	4	4	0	65	221	8	294	1437
05:00 PM	112	0	49	3	164	122	32	0	2	156	0	0	0	0	0	0	17	52	0	69	389
05:15 PM	107	0	41	4	152	81	40	0	1	122	0	0	0	0	0	0	21	54	0	75	349
05:30 PM	105	0	48	3	156	109	37	0	1	147	0	0	0	1	1	0	13	55	3	71	375
05:45 PM	98	0	32	4	134	79	29	0	1	109	0	0	0	0	0	0	8	50	4	62	305
Total	422	0	170	14	606	391	138	0	5	534	0	0	0	1	1	0	59	211	7	277	1418
06:00 PM	77	0	38	1	116	65	25	0	4	94	0	0	0	0	0	0	10	48	1	59	269
06:15 PM	68	0	43	4	115	74	24	0	3	101	0	0	0	0	0	0	16	57	1	74	290
06:30 PM	63	0	42	6	111	89	24	0	6	119	0	0	0	1	1	0	16	38	0	54	285
06:45 PM	58	0	39	2	99	64	9	0	3	76	0	0	0	2	2	0	16	36	3	55	232
Total	266	0	162	13	441	292	82	0	16	390	0	0	0	3	3	0	58	179	5	242	1076
Grand Total	1799	0	1264	103	3166	1664	546	0	70	2280	0	0	0	20	20	0	711	1468	37	2216	7682
Apprch %	56.8	0	39.9	3.3		73	23.9	0	3.1		0	0	0	100		0	32.1	66.2	1.7		
Total %	23.4	0	16.5	1.3	41.2	21.7	7.1	0	0.9	29.7	0	0	0	0.3	0.3	0	9.3	19.1	0.5	28.8	

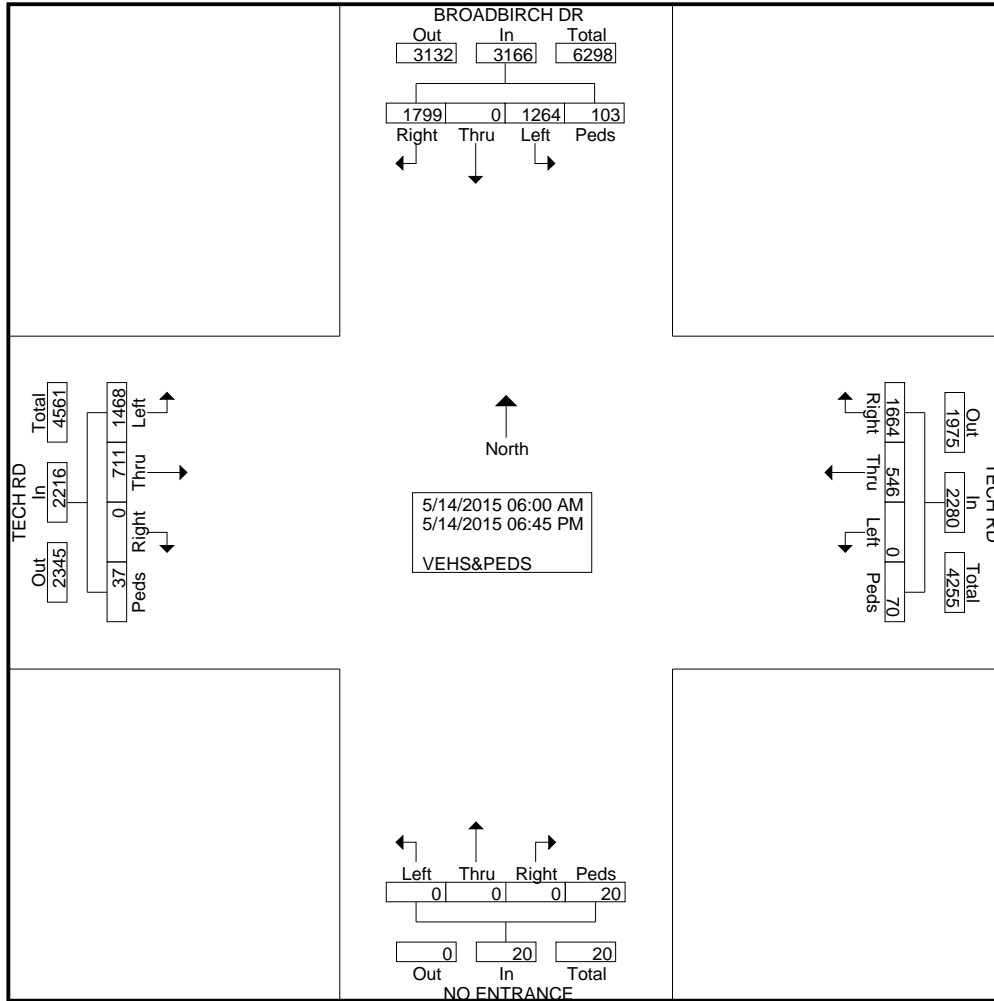
# Sabra, Wang & Assoc, Inc

7055 Samuel Morse Dr, Suite 100  
Columbia, MD 21046

443-741-3500

Weather: SUNNY  
Counted By: CHANEL  
Town: SILVER SPRING  
County: MONTGOMERY

File Name : Tech Rd and Broadbirch  
Site Code : 00000000  
Start Date : 5/14/2015  
Page No : 2



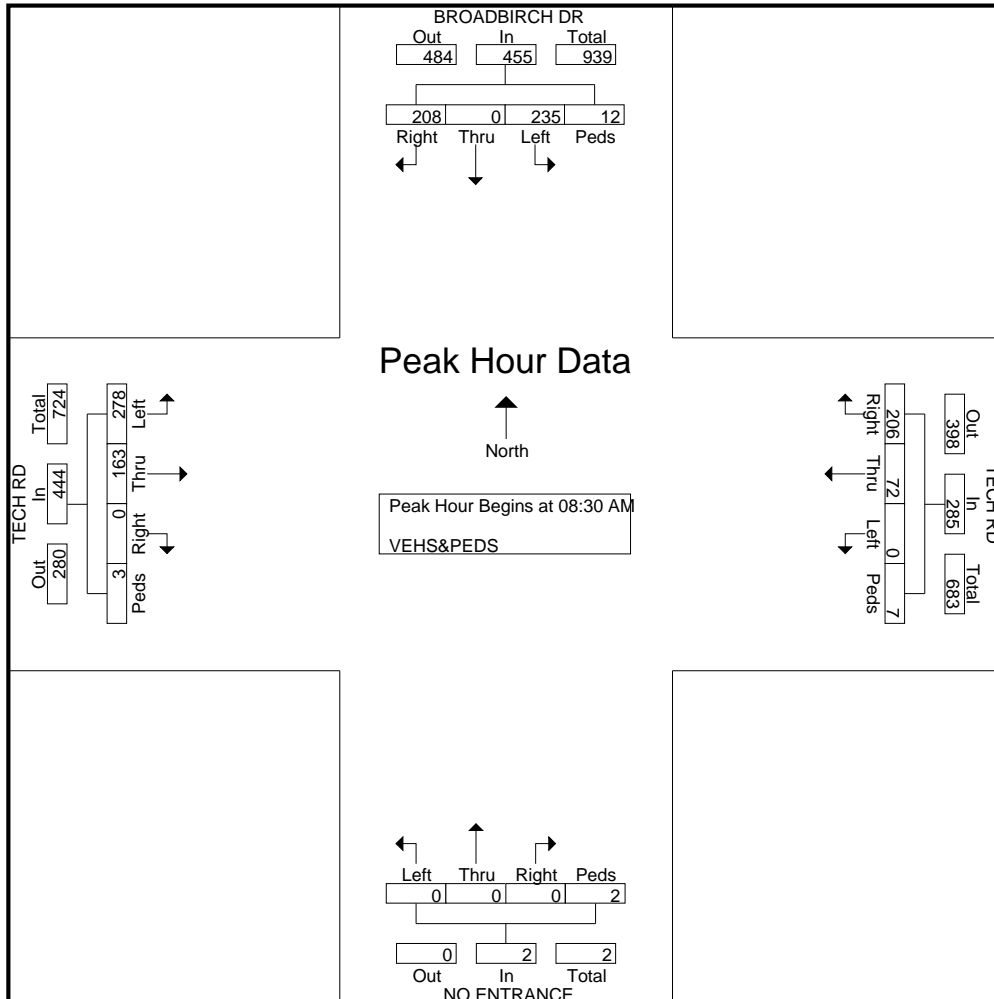
# Sabra, Wang & Assoc, Inc

7055 Samuel Morse Dr, Suite 100  
Columbia, MD 21046  
443-741-3500

Weather: SUNNY  
Counted By: CHANEL  
Town: SILVER SPRING  
County: MONTGOMERY

File Name : Tech Rd and Broadbirch  
Site Code : 00000000  
Start Date : 5/14/2015  
Page No : 3

Start Time	BROADBIRCH DR From North					TECH RD From East					NO ENTRANCE From South					TECH RD From West					Int. Total
	Right	Thru	Left	Peds	App. Total	Right	Thru	Left	Peds	App. Total	Right	Thru	Left	Peds	App. Total	Right	Thru	Left	Peds	App. Total	
Peak Hour Analysis From 06:00 AM to 11:45 AM - Peak 1 of 1																					
Peak Hour for Entire Intersection Begins at 08:30 AM																					
08:30 AM	50	0	62	4	116	50	13	0	0	63	0	0	0	0	0	0	41	48	0	89	268
08:45 AM	40	0	68	1	109	47	15	0	2	64	0	0	0	2	2	0	43	80	1	124	299
09:00 AM	58	0	39	4	101	58	18	0	4	80	0	0	0	0	0	0	49	73	0	122	303
09:15 AM	60	0	66	3	129	51	26	0	1	78	0	0	0	0	0	0	30	77	2	109	316
Total Volume	208	0	235	12	455	206	72	0	7	285	0	0	0	2	2	0	163	278	3	444	1186
% App. Total	45.7	0	51.6	2.6		72.3	25.3	0	2.5		0	0	0	100		0	36.7	62.6	0.7		
PHF	.867	.000	.864	.750	.882	.888	.692	.000	.438	.891	.000	.000	.000	.250	.250	.000	.832	.869	.375	.895	.938



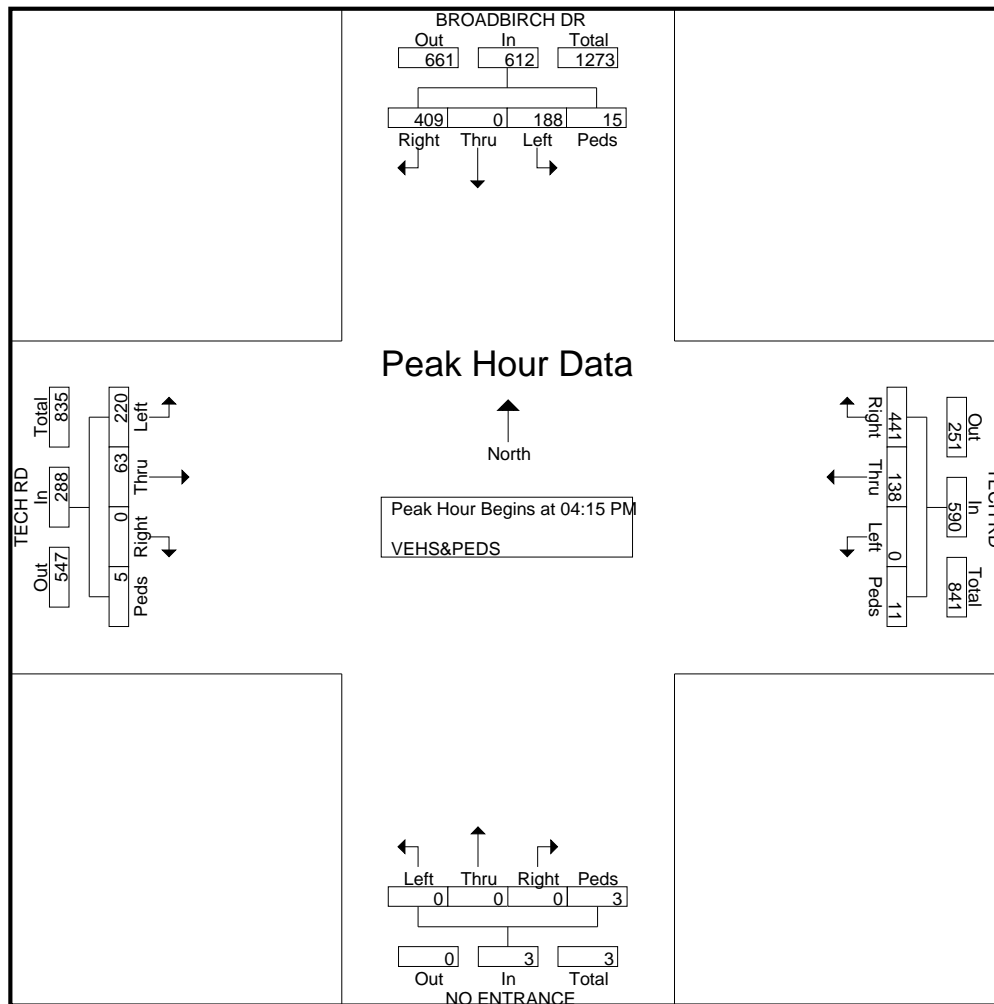
# Sabra, Wang & Assoc, Inc

7055 Samuel Morse Dr, Suite 100  
Columbia, MD 21046  
443-741-3500

Weather: SUNNY  
Counted By: CHANEL  
Town: SILVER SPRING  
County: MONTGOMERY

File Name : Tech Rd and Broadbirch  
Site Code : 00000000  
Start Date : 5/14/2015  
Page No : 4

Start Time	BROADBIRCH DR From North					TECH RD From East					NO ENTRANCE From South					TECH RD From West					Int. Total
	Rig ht	Thr u	Left	Ped s	App. Total	Rig ht	Thr u	Left	Ped s	App. Total	Right	Thr u	Left	Peds	App. Total	Right	Thr u	Left	Peds	App. Total	
Peak Hour Analysis From 12:00 PM to 06:45 PM - Peak 1 of 1																					
Peak Hour for Entire Intersection Begins at 04:15 PM																					
04:15 PM	93	0	43	4	140	95	35	0	4	134	0	0	0	0	0	0	12	74	1	87	361
04:30 PM	104	0	49	3	156	116	36	0	5	157	0	0	0	2	2	0	11	46	1	58	373
04:45 PM	100	0	47	5	152	108	35	0	0	143	0	0	0	1	1	0	23	48	3	74	370
05:00 PM	112	0	49	3	164	122	32	0	2	156	0	0	0	0	0	0	17	52	0	69	389
Total Volume	409	0	188	15	612	441	138	0	11	590	0	0	0	3	3	0	63	220	5	288	1493
% App. Total	66.8	0	30.7	2.5		74.7	23.4	0	1.9		0	0	0	100		0	21.9	76.4	1.7		
PHF	.913	.000	.959	.750	.933	.904	.958	.000	.550	.939	.000	.000	.000	.375	.375	.000	.685	.743	.417	.828	.960



# Sabra, Wang & Assoc, Inc

7055 Samuel Morse Dr, Suite 100

Columbia, MD 21046

443-741-3500

Weather: SUNNY  
 Counted By: CHANEL  
 Town: SILVER SPRING  
 County: MONTGOMERY

File Name : Tech Rd and Broadbirch  
 Site Code : 00000000  
 Start Date : 5/14/2015  
 Page No : 1

## Groups Printed- BICYCLES

Start Time	BROADBIRCH DR From North					TECH RD From East					NO ENTRANCE From South					TECH RD From West					Int. Total
	Right	Thru	Left	Peds	App. Total	Right	Thru	Left	Peds	App. Total	Right	Thru	Left	Peds	App. Total	Right	Thru	Left	Peds	App. Total	
06:00 AM	1	0	0	0	1	0	0	0	0	0	0	0	0	0	0	0	0	0	0	0	0
06:15 AM	0	0	0	0	0	0	0	0	0	0	0	0	0	0	0	0	1	0	0	0	1
06:30 AM	1	0	0	0	1	0	1	0	0	1	0	0	0	0	0	0	0	0	0	0	0
*** BREAK ***																					
Total	2	0	0	0	2	0	1	0	0	1	0	0	0	0	0	0	1	0	0	1	4
07:00 AM	1	0	1	0	2	0	0	0	0	0	0	0	0	0	0	0	1	0	0	1	3
07:15 AM	1	0	1	0	2	0	1	0	0	1	0	0	0	0	0	0	0	0	0	0	3
07:30 AM	1	0	0	0	1	0	0	0	0	0	0	0	0	0	0	0	0	0	0	0	1
07:45 AM	0	0	0	0	0	0	1	0	0	1	0	0	0	0	0	0	0	0	0	0	1
Total	3	0	2	0	5	0	2	0	0	2	0	0	0	0	0	0	1	0	0	1	8
*** BREAK ***																					
08:15 AM	0	0	0	0	0	0	0	0	0	0	0	0	0	0	0	0	1	1	0	2	2
08:30 AM	0	0	0	0	0	0	2	0	0	2	0	0	0	0	0	0	0	0	0	0	2
08:45 AM	0	0	0	0	0	0	0	0	0	0	0	0	0	0	0	0	1	0	0	1	1
Total	0	0	0	0	0	0	2	0	0	2	0	0	0	0	0	0	2	1	0	3	5
09:00 AM	0	0	1	0	1	0	0	0	0	0	0	0	0	0	0	0	0	0	0	0	1
09:15 AM	1	0	1	0	2	1	1	0	0	2	0	0	0	0	0	0	0	0	0	0	4
09:30 AM	1	0	0	0	1	0	0	0	0	0	0	0	0	0	0	0	0	0	0	0	1
*** BREAK ***																					
Total	2	0	2	0	4	1	1	0	0	2	0	0	0	0	0	0	0	0	0	0	6
*** BREAK ***																					
04:15 PM	0	0	0	0	0	1	0	0	0	1	0	0	0	0	0	0	0	0	0	0	1
*** BREAK ***																					
Total	0	0	0	0	0	1	0	0	0	1	0	0	0	0	0	0	0	0	0	0	1
*** BREAK ***																					
06:00 PM	1	0	0	0	1	0	0	0	0	0	0	0	0	0	0	0	0	0	0	0	1
*** BREAK ***																					
Total	1	0	0	0	1	0	0	0	0	0	0	0	0	0	0	0	0	0	0	0	1
Grand Total	8	0	4	0	12	2	6	0	0	8	0	0	0	0	0	0	4	1	0	5	25
Apprch %	66.7	0	33.3	0		25	75	0	0		0	0	0	0		0	80	20	0		
Total %	32	0	16	0	48	8	24	0	0	32	0	0	0	0	0	0	16	4	0	20	

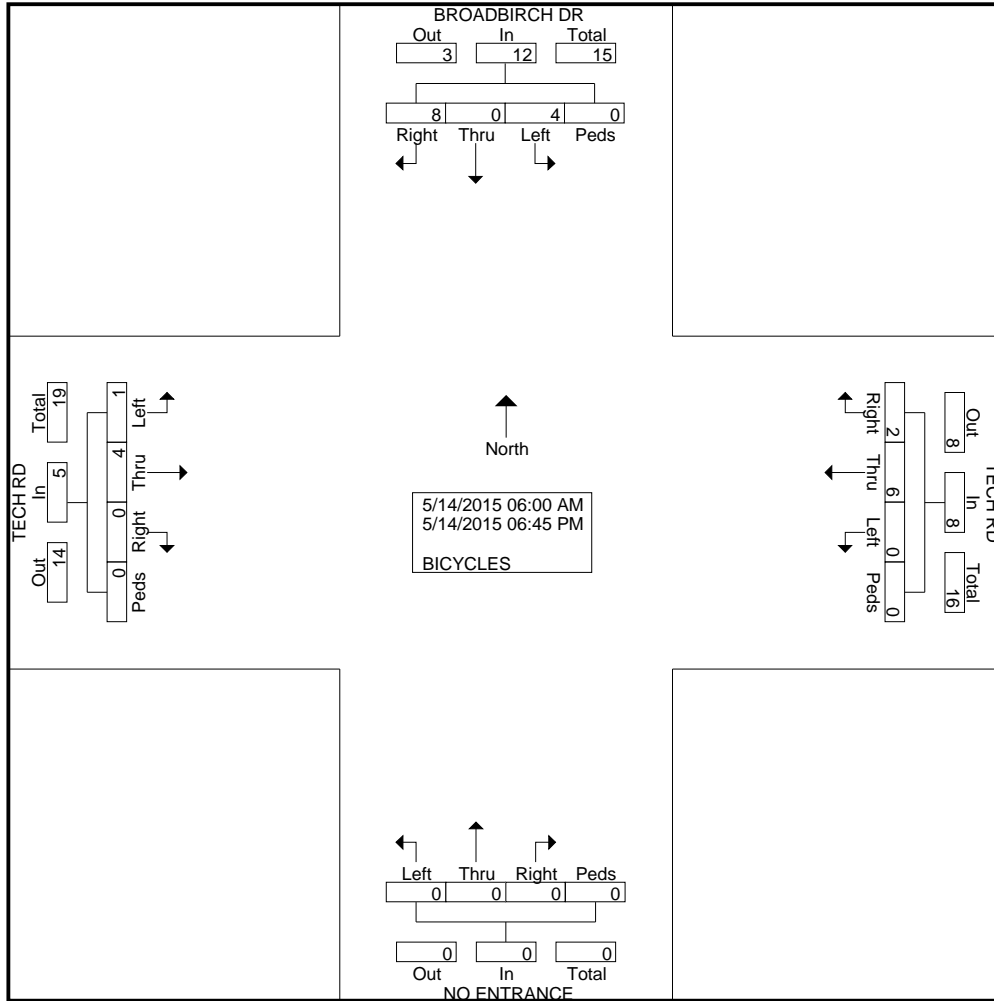
# Sabra, Wang & Assoc, Inc

7055 Samuel Morse Dr, Suite 100  
Columbia, MD 21046

443-741-3500

Weather: SUNNY  
Counted By: CHANEL  
Town: SILVER SPRING  
County: MONTGOMERY

File Name : Tech Rd and Broadbirch  
Site Code : 00000000  
Start Date : 5/14/2015  
Page No : 2



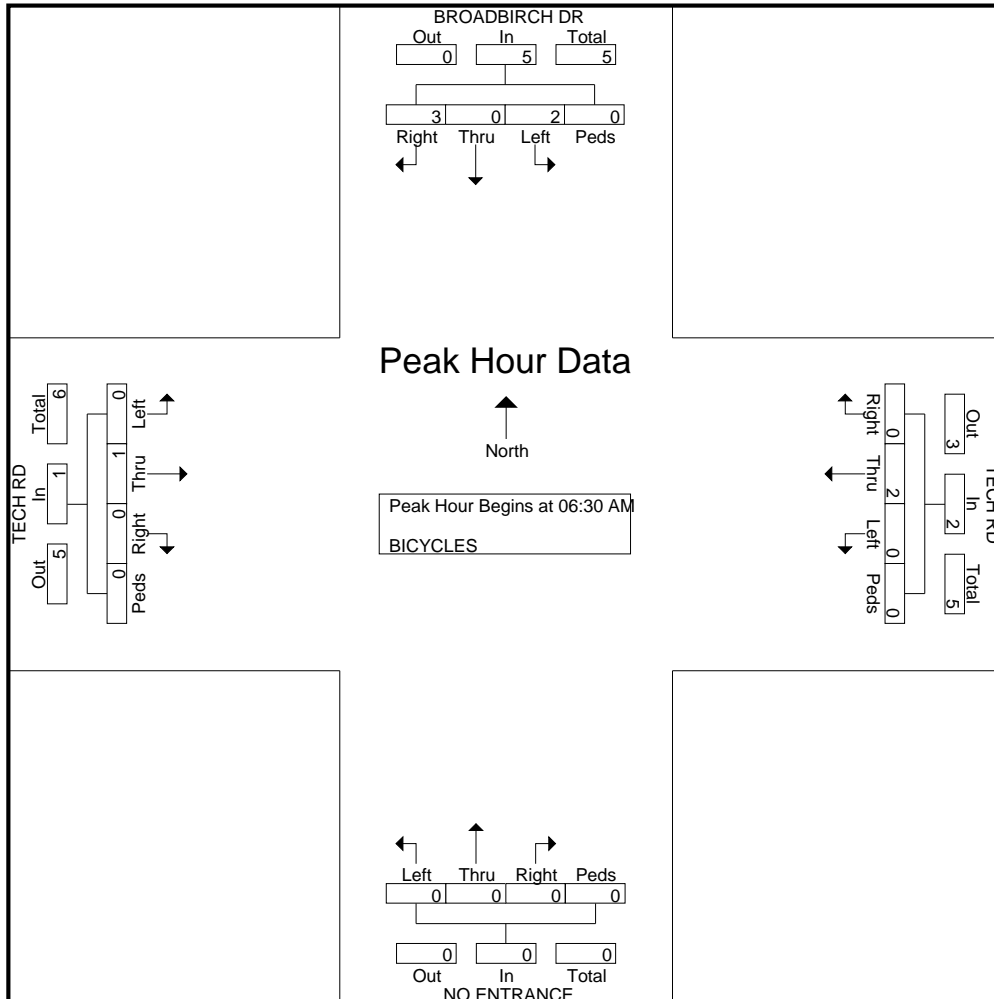
# Sabra, Wang & Assoc, Inc

7055 Samuel Morse Dr, Suite 100  
Columbia, MD 21046  
443-741-3500

Weather: SUNNY  
Counted By: CHANEL  
Town: SILVER SPRING  
County: MONTGOMERY

File Name : Tech Rd and Broadbirch  
Site Code : 00000000  
Start Date : 5/14/2015  
Page No : 3

Start Time	BROADBIRCH DR From North					TECH RD From East					NO ENTRANCE From South					TECH RD From West					Int. Total
	Right	Thru	Left	Peds	App. Total	Right	Thru	Left	Peds	App. Total	Right	Thru	Left	Peds	App. Total	Right	Thru	Left	Peds	App. Total	
Peak Hour Analysis From 06:00 AM to 11:45 AM - Peak 1 of 1																					
Peak Hour for Entire Intersection Begins at 06:30 AM																					
06:30 AM	1	0	0	0	1	0	1	0	0	1	0	0	0	0	0	0	0	0	0	0	2
06:45 AM	0	0	0	0	0	0	0	0	0	0	0	0	0	0	0	0	0	0	0	0	0
07:00 AM	1	0	1	0	2	0	0	0	0	0	0	0	0	0	0	0	1	0	0	1	3
07:15 AM	1	0	1	0	2	0	1	0	0	1	0	0	0	0	0	0	0	0	0	0	3
Total Volume	3	0	2	0	5	0	2	0	0	2	0	0	0	0	0	0	1	0	0	1	8
% App. Total	60	0	40	0		0	100	0	0		0	0	0	0		0	100	0	0		
PHF	.750	.000	.500	.000	.625	.000	.500	.000	.000	.500	.000	.000	.000	.000	.000	.000	.250	.000	.000	.250	.667



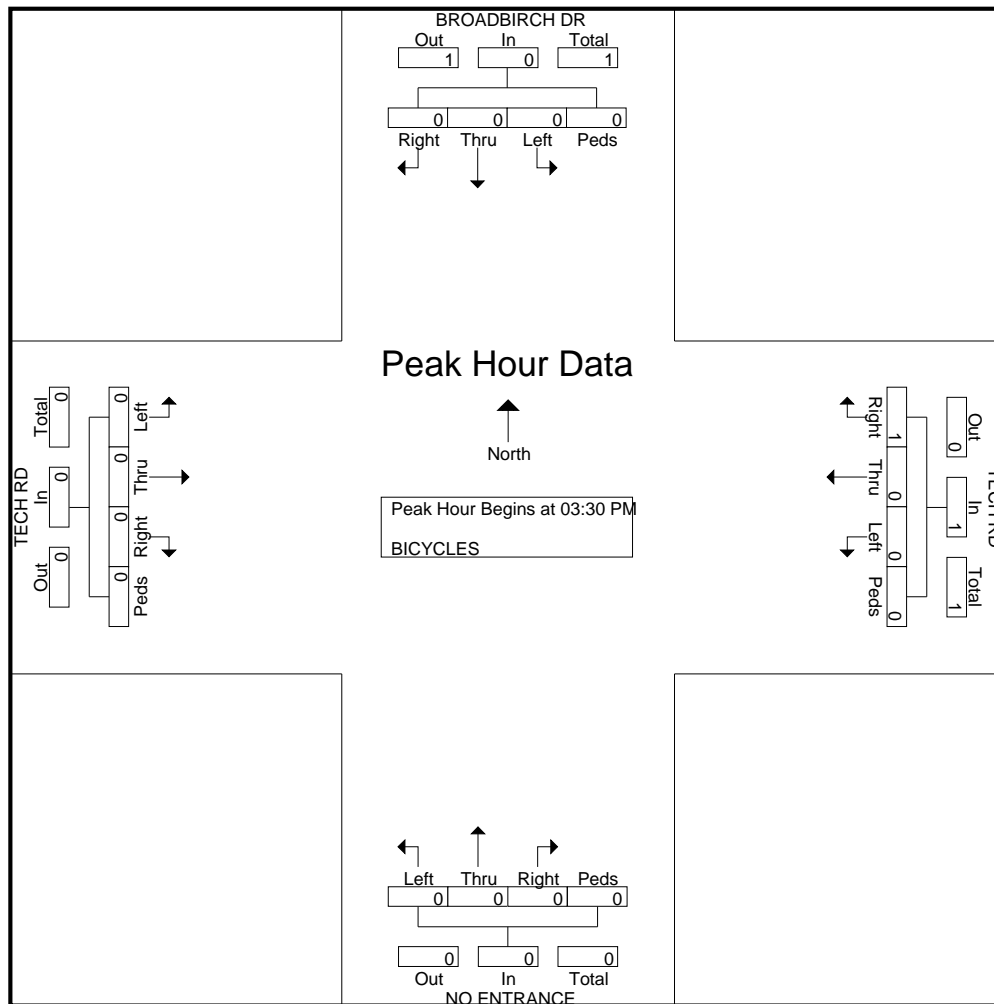
# Sabra, Wang & Assoc, Inc

7055 Samuel Morse Dr, Suite 100  
Columbia, MD 21046  
*443-741-3500*

Weather: SUNNY  
Counted By: CHANEL  
Town: SILVER SPRING  
County: MONTGOMERY

File Name : Tech Rd and Broadbirch  
Site Code : 00000000  
Start Date : 5/14/2015  
Page No : 4

Start Time	BROADBIRCH DR From North					TECH RD From East					NO ENTRANCE From South					TECH RD From West					Int. Total
	Rig ht	Thr u	Left	Ped s	App. Total	Rig ht	Thr u	Left	Ped s	App. Total	Right	Thr u	Left	Peds	App. Total	Right	Thr u	Left	Peds	App. Total	
Peak Hour Analysis From 12:00 PM to 06:45 PM - Peak 1 of 1																					
Peak Hour for Entire Intersection Begins at 03:30 PM																					
03:30 PM	0	0	0	0	0	0	0	0	0	0	0	0	0	0	0	0	0	0	0	0	0
03:45 PM	0	0	0	0	0	0	0	0	0	0	0	0	0	0	0	0	0	0	0	0	0
04:00 PM	0	0	0	0	0	0	0	0	0	0	0	0	0	0	0	0	0	0	0	0	0
04:15 PM	0	0	0	0	0	<b>1</b>	0	0	0	<b>1</b>	0	0	0	0	0	0	0	0	0	0	<b>1</b>
Total Volume	0	0	0	0	0	1	0	0	0	1	0	0	0	0	0	0	0	0	0	0	1
% App. Total	0	0	0	0	0	100	0	0	0	0	0	0	0	0	0	0	0	0	0	0	0
PHF	.000	.000	.000	.000	.000	.250	.000	.000	.000	.250	.000	.000	.000	.000	.000	.000	.000	.000	.000	.000	.250





# Sabra, Wang & Assoc, Inc

7055 Samuel Morse Dr, Suite 100  
Columbia, MD 21046

443-741-3500

Weather: SUNNY  
Counted By: DARRELL  
Town: WHITE OAK  
County: MONTGOMERY

File Name : Tech Rd at Industrial Pkwy  
Site Code : 00000000  
Start Date : 5/14/2015  
Page No : 1

## Groups Printed- VEHS&PEDS

Start Time	TECH RD From North					INDUSTRIAL PKWY From East					TECH RD From South					INDUSTRIAL PKWY From West					Int. Total
	Right	Thru	Left	Peds	App. Total	Right	Thru	Left	Peds	App. Total	Right	Thru	Left	Peds	App. Total	Right	Thru	Left	Peds	App. Total	
06:00 AM	14	5	3	1	23	0	0	0	0	0	0	4	1	0	5	6	5	10	0	21	49
06:15 AM	17	12	0	0	29	1	0	1	0	2	0	1	3	0	4	6	1	8	0	15	50
06:30 AM	22	13	0	0	35	3	0	0	1	4	0	4	3	0	7	4	1	13	0	18	64
06:45 AM	12	18	1	0	31	0	0	0	2	2	0	3	2	0	5	11	1	17	2	31	69
Total	65	48	4	1	118	4	0	1	3	8	0	12	9	0	21	27	8	48	2	85	232
07:00 AM	17	29	4	0	50	3	0	0	0	3	0	3	1	0	4	3	3	20	0	26	83
07:15 AM	20	30	2	0	52	0	0	0	0	0	0	0	0	0	0	0	2	23	0	25	77
07:30 AM	18	33	1	0	52	0	4	1	0	5	0	10	2	0	12	13	8	25	3	49	118
07:45 AM	16	50	2	1	69	1	0	0	1	2	1	14	4	1	20	9	5	21	0	35	126
Total	71	142	9	1	223	4	4	1	1	10	1	27	7	1	36	25	18	89	3	135	404
08:00 AM	14	41	4	1	60	2	1	0	0	3	2	10	2	0	14	11	3	27	2	43	120
08:15 AM	29	59	3	1	92	0	0	0	0	0	0	23	6	0	29	11	11	25	1	48	169
08:30 AM	29	62	3	0	94	3	0	0	0	3	2	19	5	0	26	18	6	50	0	74	197
08:45 AM	14	46	8	0	68	1	0	0	0	1	0	12	6	2	20	12	9	54	0	75	164
Total	86	208	18	2	314	6	1	0	0	7	4	64	19	2	89	52	29	156	3	240	650
09:00 AM	22	54	6	1	83	2	0	0	0	2	3	16	7	0	26	17	5	52	0	74	185
09:15 AM	23	27	5	0	55	3	1	0	0	4	0	6	2	0	8	12	5	77	0	94	161
09:30 AM	25	24	8	1	58	4	1	0	1	6	0	10	3	0	13	10	2	90	1	103	180
09:45 AM	36	29	3	0	68	8	4	0	0	12	0	17	10	0	27	18	7	59	0	84	191
Total	106	134	22	2	264	17	6	0	1	24	3	49	22	0	74	57	19	278	1	355	717
**BREAK**																					
04:00 PM	25	15	2	1	43	12	6	0	0	18	0	34	18	0	52	2	15	98	0	115	228
04:15 PM	20	11	1	0	32	1	4	1	0	6	0	28	12	1	41	7	8	64	0	79	158
04:30 PM	21	14	3	3	41	1	3	0	1	5	1	57	21	1	80	7	9	76	0	92	218
04:45 PM	43	15	2	0	60	3	2	0	0	5	6	46	26	1	79	6	12	102	2	122	266
Total	109	55	8	4	176	17	15	1	1	34	7	165	77	3	252	22	44	340	2	408	870
05:00 PM	32	10	2	0	44	6	6	0	1	13	1	65	42	1	109	6	8	61	0	75	241
05:15 PM	24	16	2	0	42	2	2	1	1	6	0	40	18	0	58	4	3	65	0	72	178
05:30 PM	14	12	3	0	29	1	1	0	0	2	1	29	14	0	44	4	1	51	0	56	131

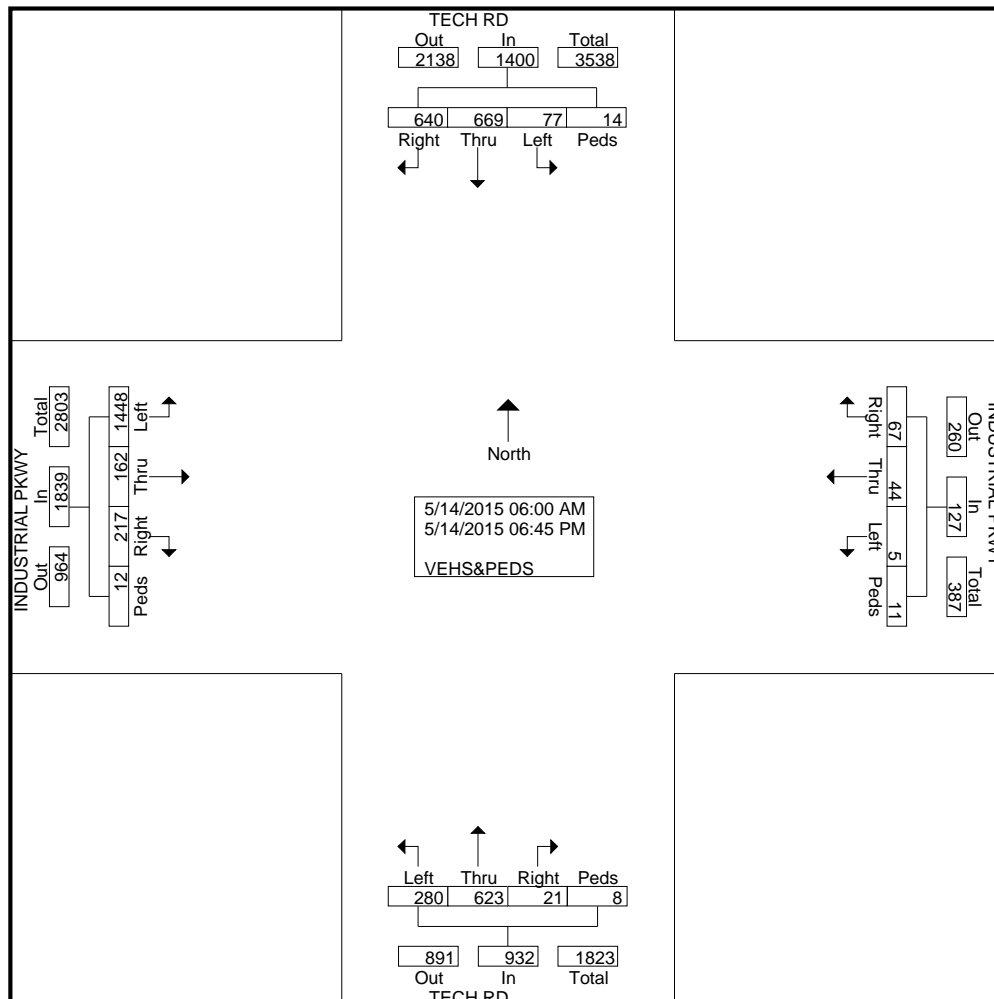
# Sabra, Wang & Assoc, Inc

7055 Samuel Morse Dr, Suite 100  
Columbia, MD 21046  
443-741-3500

File Name : Tech Rd at Industrial Pkwy  
Site Code : 00000000  
Start Date : 5/14/2015  
Page No : 2

Groups Printed- VEHS&PEDS

Start Time	TECH RD From North					INDUSTRIAL PKWY From East					TECH RD From South					INDUSTRIAL PKWY From West					Int. Total
	Right	Thru	Left	Peds	App. Total	Right	Thru	Left	Peds	App. Total	Right	Thru	Left	Peds	App. Total	Right	Thru	Left	Peds	App. Total	
05:45 PM	16	10	2	0	28	1	1	0	2	4	0	34	12	0	46	7	7	56	0	70	148
Total	86	48	9	0	143	10	10	1	4	25	2	168	86	1	257	21	19	233	0	273	698
06:00 PM	36	12	2	1	51	1	2	0	0	3	2	47	21	0	70	5	7	48	0	60	184
06:15 PM	28	14	5	0	47	3	3	1	1	8	0	36	13	1	50	2	6	91	0	99	204
06:30 PM	32	5	0	0	37	4	0	0	0	4	0	36	18	0	54	1	1	97	1	100	195
06:45 PM	21	3	0	3	27	1	3	0	0	4	2	19	8	0	29	5	11	68	0	84	144
Total	117	34	7	4	162	9	8	1	1	19	4	138	60	1	203	13	25	304	1	343	727
Grand Total	640	669	77	14	1400	67	44	5	11	127	21	623	280	8	932	217	162	1448	12	1839	4298
Apprch %	45.7	47.8	5.5	1		52.8	34.6	3.9	8.7		2.3	66.8	30	0.9		11.8	8.8	78.7	0.7		
Total %	14.9	15.6	1.8	0.3	32.6	1.6	1	0.1	0.3	3	0.5	14.5	6.5	0.2	21.7	5	3.8	33.7	0.3	42.8	



# Sabra, Wang & Assoc, Inc

7055 Samuel Morse Dr, Suite 100  
Columbia, MD 21046  
443-741-3500

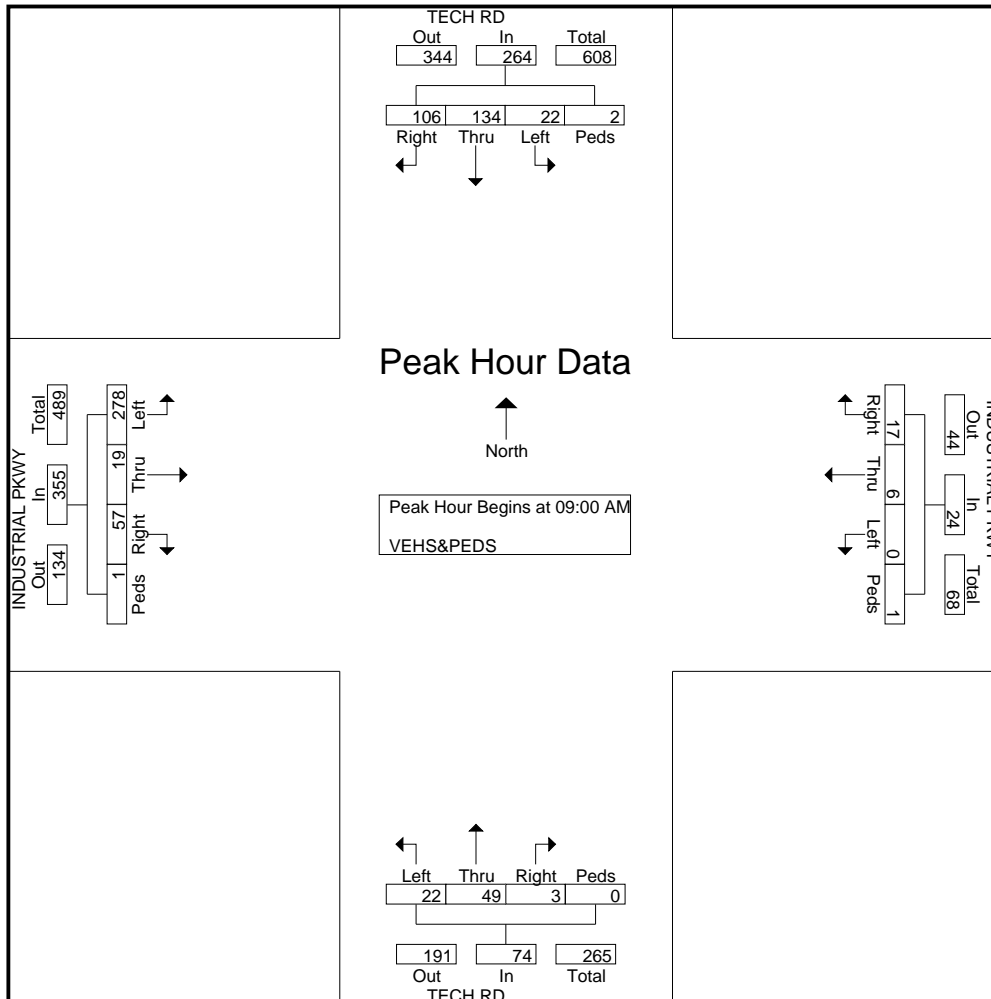
File Name : Tech Rd at Industrial Pkwy  
Site Code : 00000000  
Start Date : 5/14/2015  
Page No : 3

Start Time	TECH RD From North					INDUSTRIAL PKWY From East					TECH RD From South					INDUSTRIAL PKWY From West					Int. Total
	Right	Thru	Left	Peds	App. Total	Right	Thru	Left	Peds	App. Total	Right	Thru	Left	Peds	App. Total	Right	Thru	Left	Peds	App. Total	

Peak Hour Analysis From 06:00 AM to 11:45 AM - Peak 1 of 1

Peak Hour for Entire Intersection Begins at 09:00 AM

09:00 AM	22	<b>54</b>	6	<b>1</b>	<b>83</b>	2	0	0	0	2	<b>3</b>	16	7	0	26	17	5	52	0	74	185
09:15 AM	23	27	5	0	55	3	1	0	0	4	0	6	2	0	8	12	5	77	0	94	161
09:30 AM	25	24	<b>8</b>	1	58	4	1	0	<b>1</b>	6	0	10	3	0	13	10	2	<b>90</b>	<b>1</b>	<b>103</b>	180
09:45 AM	<b>36</b>	29	3	0	68	<b>8</b>	<b>4</b>	0	0	<b>12</b>	0	<b>17</b>	<b>10</b>	0	<b>27</b>	<b>18</b>	<b>7</b>	59	0	84	<b>191</b>
Total Volume	106	134	22	2	264	17	6	0	1	24	3	49	22	0	74	57	19	278	1	355	717
% App. Total	40.2	50.8	8.3	0.8		70.8	25	0	4.2		4.1	66.2	29.7	0		16.1	5.4	78.3	0.3		
PHF	.736	.620	.688	.500	.795	.531	.375	.000	.250	.500	.250	.721	.550	.000	.685	.792	.679	.772	.250	.862	.938



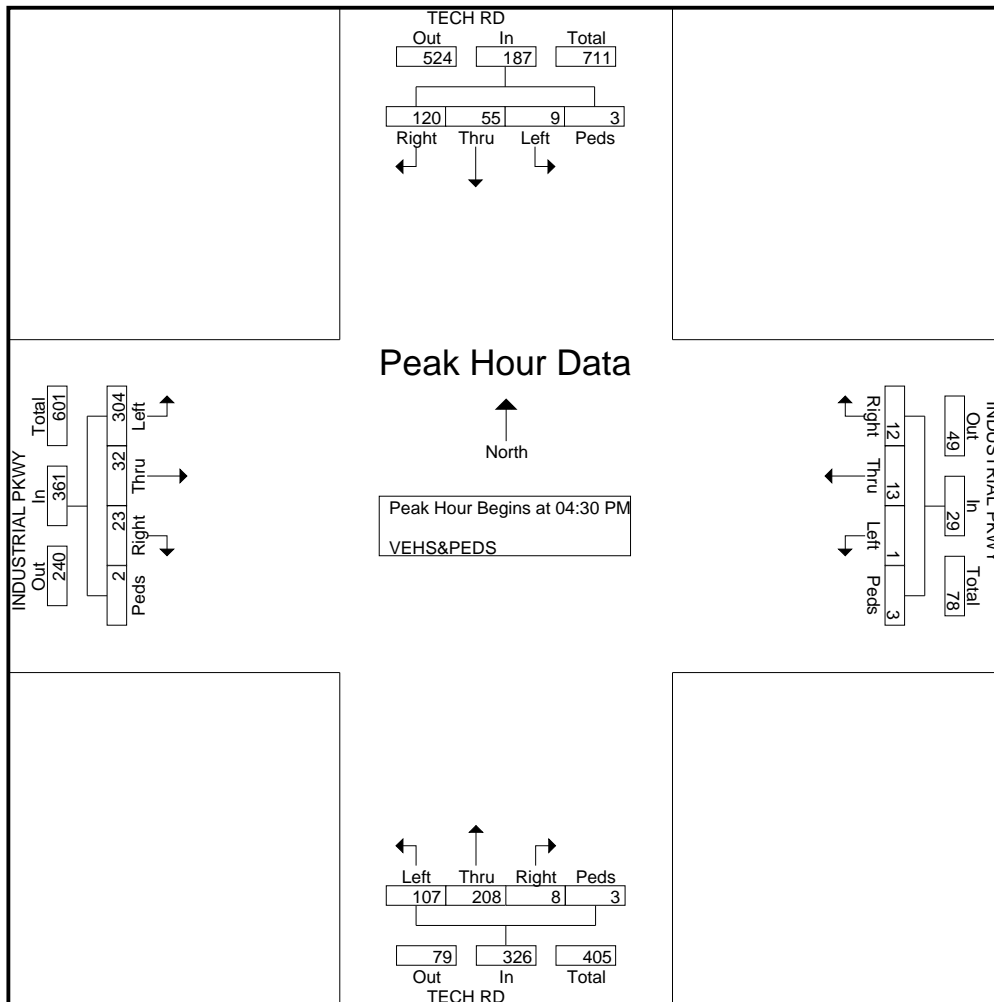
# Sabra, Wang & Assoc, Inc

7055 Samuel Morse Dr, Suite 100  
Columbia, MD 21046  
443-741-3500

File Name : Tech Rd at Industrial Pkwy  
Site Code : 00000000  
Start Date : 5/14/2015  
Page No : 4

Start Time	TECH RD From North					INDUSTRIAL PKWY From East					TECH RD From South					INDUSTRIAL PKWY From West					Int. Total
	Right	Thru	Left	Peds	App. Total	Right	Thru	Left	Peds	App. Total	Right	Thru	Left	Peds	App. Total	Right	Thru	Left	Peds	App. Total	
04:30 PM	21	14	3	3	41	1	3	0	1	5	1	57	21	1	80	7	9	76	0	92	218
04:45 PM	43	15	2	0	60	3	2	0	0	5	6	46	26	1	79	6	12	102	2	122	266
05:00 PM	32	10	2	0	44	6	6	0	1	13	1	65	42	1	109	6	8	61	0	75	241
05:15 PM	24	16	2	0	42	2	2	1	1	6	0	40	18	0	58	4	3	65	0	72	178
Total Volume	120	55	9	3	187	12	13	1	3	29	8	208	107	3	326	23	32	304	2	361	903
% App. Total	64.2	29.4	4.8	1.6		41.4	44.8	3.4	10.3		2.5	63.8	32.8	0.9		6.4	8.9	84.2	0.6		
PHF	.698	.859	.750	.250	.779	.500	.542	.250	.750	.558	.333	.800	.637	.750	.748	.821	.667	.745	.250	.740	.849

Peak Hour Analysis From 12:00 PM to 06:45 PM - Peak 1 of 1  
Peak Hour for Entire Intersection Begins at 04:30 PM



# Sabra, Wang & Assoc, Inc

7055 Samuel Morse Dr, Suite 100  
Columbia, MD 21046  
*443-741-3500*

Weather: SUNNY  
Counted By: DARRELL  
Town: WHITE OAK  
County: MONTGOMERY

File Name : Tech Rd at Industrial Pkwy  
Site Code : 00000000  
Start Date : 5/14/2015  
Page No : 1

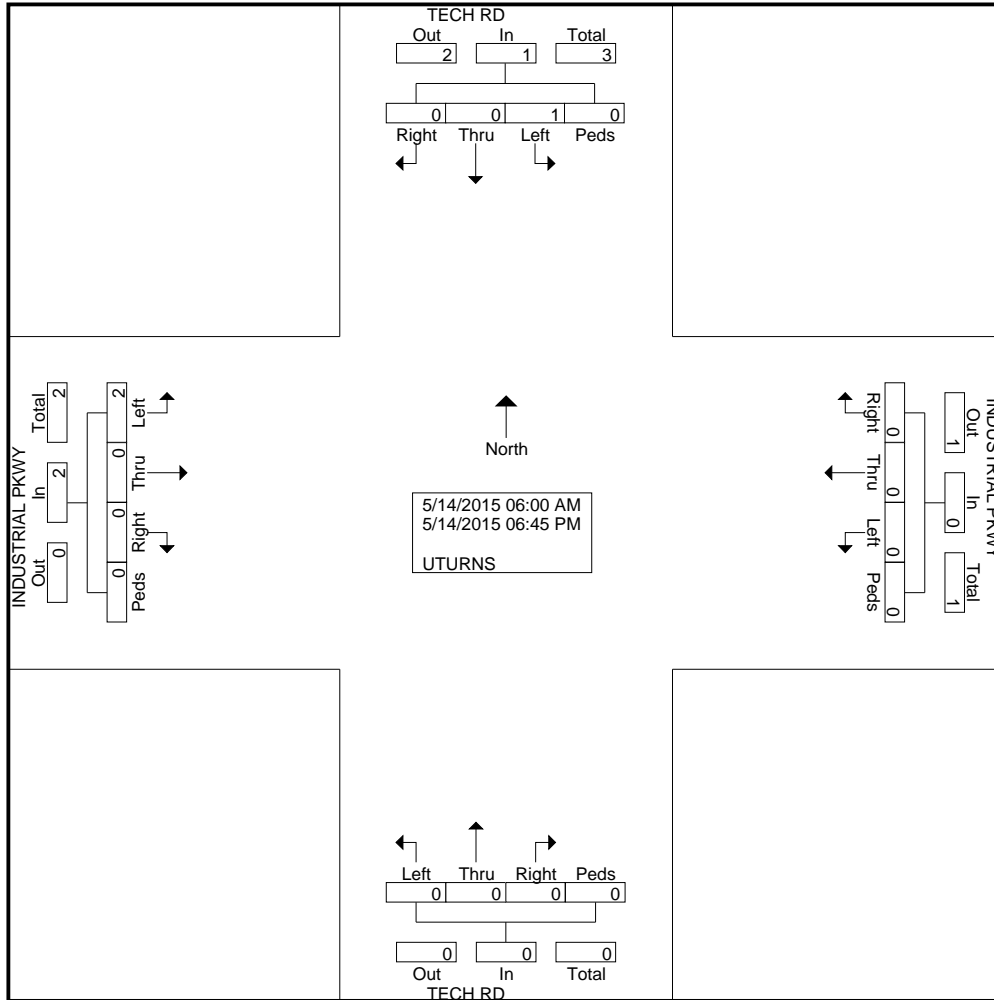
Groups Printed- UTurns

Start Time	TECH RD From North					INDUSTRIAL PKWY From East					TECH RD From South					INDUSTRIAL PKWY From West					Int. Total
	Right	Thru	Left	Peds	App. Total	Right	Thru	Left	Peds	App. Total	Right	Thru	Left	Peds	App. Total	Right	Thru	Left	Peds	App. Total	
**BREAK**																					
08:00 AM	0	0	0	0	0	0	0	0	0	0	0	0	0	0	0	0	0	1	0	1	1
**BREAK**																					
Total	0	0	0	0	0	0	0	0	0	0	0	0	0	0	0	0	0	1	0	1	1
**BREAK**																					
09:15 AM	0	0	1	0	1	0	0	0	0	0	0	0	0	0	0	0	0	1	0	1	2
**BREAK**																					
Total	0	0	1	0	1	0	0	0	0	0	0	0	0	0	0	0	0	1	0	1	2
**BREAK**																					
Grand Total	0	0	1	0	1	0	0	0	0	0	0	0	0	0	0	0	0	2	0	2	3
Apprch %	0	0	100	0		0	0	0	0		0	0	0	0		0	0	100	0		
Total %	0	0	33.3	0	33.3	0	0	0	0	0	0	0	0	0	0	0	0	66.7	0	66.7	

# Sabra, Wang & Assoc, Inc

7055 Samuel Morse Dr, Suite 100  
Columbia, MD 21046  
443-741-3500

File Name : Tech Rd at Industrial Pkwy  
Site Code : 00000000  
Start Date : 5/14/2015  
Page No : 2



# Sabra, Wang & Assoc, Inc

7055 Samuel Morse Dr, Suite 100  
Columbia, MD 21046

443-741-3500

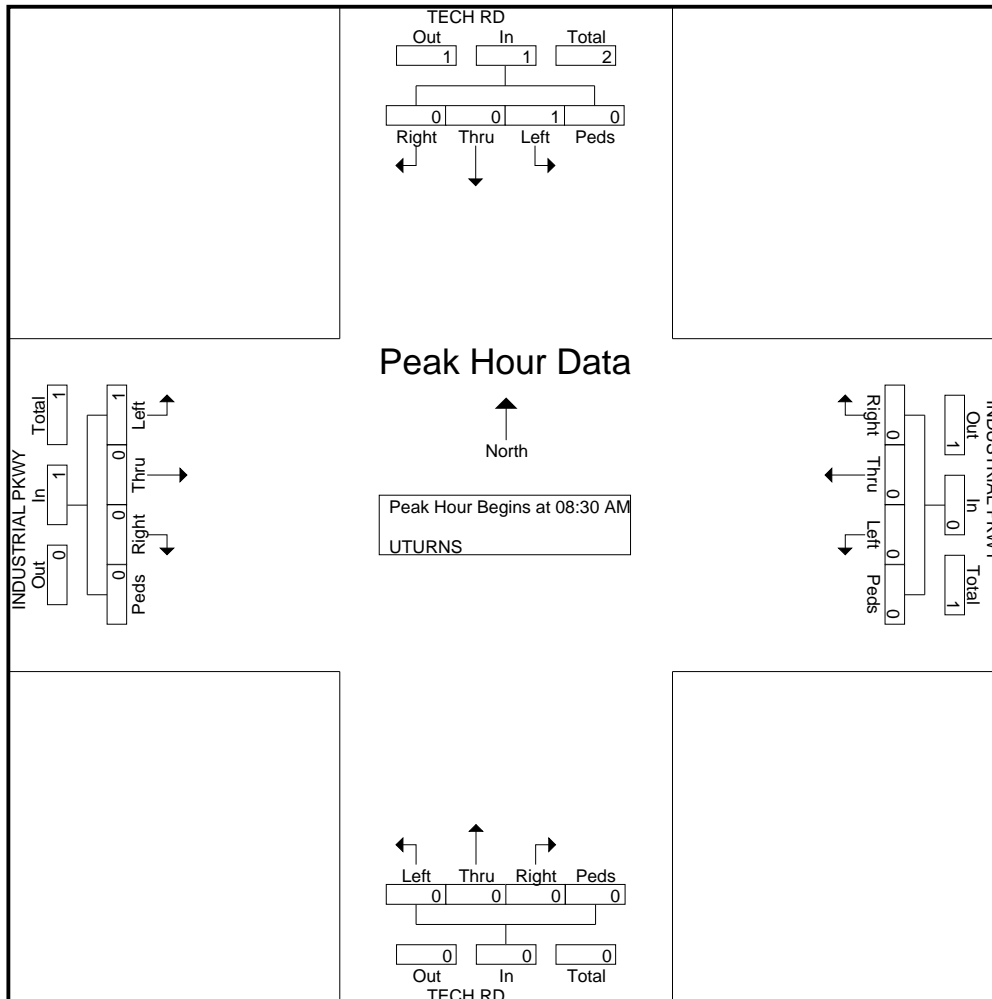
File Name : Tech Rd at Industrial Pkwy

Site Code : 00000000

Start Date : 5/14/2015

Page No : 3

Start Time	TECH RD From North					INDUSTRIAL PKWY From East					TECH RD From South					INDUSTRIAL PKWY From West					Int. Total	
	Right	Thru	Left	Peds	App. Total	Right	Thru	Left	Peds	App. Total	Right	Thru	Left	Peds	App. Total	Right	Thru	Left	Peds	App. Total		
Peak Hour Analysis From 06:00 AM to 11:45 AM - Peak 1 of 1																						
Peak Hour for Entire Intersection Begins at 08:30 AM																						
08:30 AM	0	0	0	0	0	0	0	0	0	0	0	0	0	0	0	0	0	0	0	0	0	0
08:45 AM	0	0	0	0	0	0	0	0	0	0	0	0	0	0	0	0	0	0	0	0	0	0
09:00 AM	0	0	0	0	0	0	0	0	0	0	0	0	0	0	0	0	0	0	0	0	0	0
09:15 AM	0	0	1	0	1	0	0	0	0	0	0	0	0	0	0	0	0	1	0	1	1	2
Total Volume	0	0	1	0	1	0	0	0	0	0	0	0	0	0	0	0	0	1	0	1	1	2
% App. Total	0	0	100	0		0	0	0	0		0	0	0	0		0	0	100	0			
PHF	.000	.000	.250	.000	.250	.000	.000	.000	.000	.000	.000	.000	.000	.000	.000	.000	.000	.250	.000	.250		.250



# Sabra, Wang & Assoc, Inc

7055 Samuel Morse Dr, Suite 100  
Columbia, MD 21046

443-741-3500

File Name : Tech Rd at Industrial Pkwy

Site Code : 00000000

Start Date : 5/14/2015

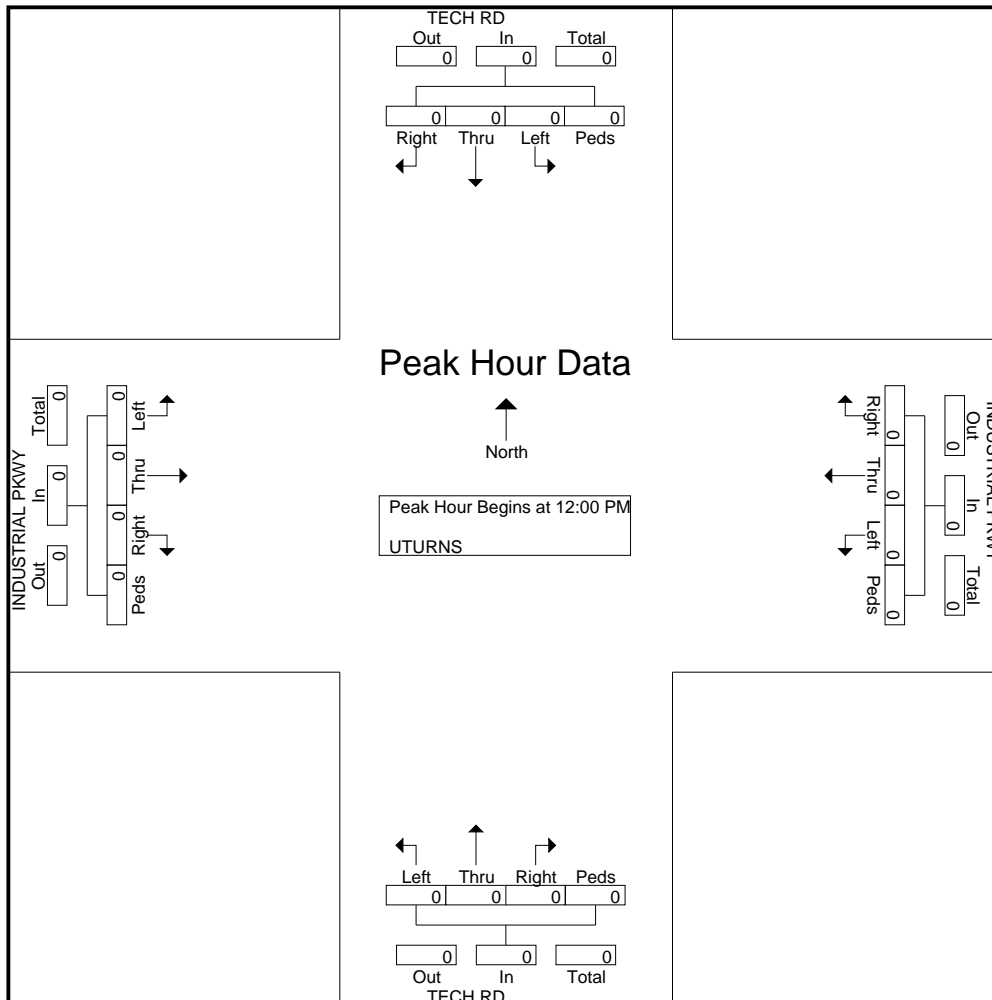
Page No : 4

Start Time	TECH RD From North					INDUSTRIAL PKWY From East					TECH RD From South					INDUSTRIAL PKWY From West					Int. Total
	Right	Thru	Left	Peds	App. Total	Right	Thru	Left	Peds	App. Total	Right	Thru	Left	Peds	App. Total	Right	Thru	Left	Peds	App. Total	

Peak Hour Analysis From 12:00 PM to 06:45 PM - Peak 1 of 1

Peak Hour for Entire Intersection Begins at 12:00 PM

12:00 PM	0	0	0	0	0	0	0	0	0	0	0	0	0	0	0	0	0	0	0	0	0
12:15 PM	0	0	0	0	0	0	0	0	0	0	0	0	0	0	0	0	0	0	0	0	0
12:30 PM	0	0	0	0	0	0	0	0	0	0	0	0	0	0	0	0	0	0	0	0	0
12:45 PM	0	0	0	0	0	0	0	0	0	0	0	0	0	0	0	0	0	0	0	0	0
Total Volume	0	0	0	0	0	0	0	0	0	0	0	0	0	0	0	0	0	0	0	0	0
% App. Total	0	0	0	0	0	0	0	0	0	0	0	0	0	0	0	0	0	0	0	0	0
PHF	.000	.000	.000	.000	.000	.000	.000	.000	.000	.000	.000	.000	.000	.000	.000	.000	.000	.000	.000	.000	.000





# Sabra, Wang & Assoc, Inc

7055 Samuel Morse Dr, Suite 100  
Columbia, MD 21046

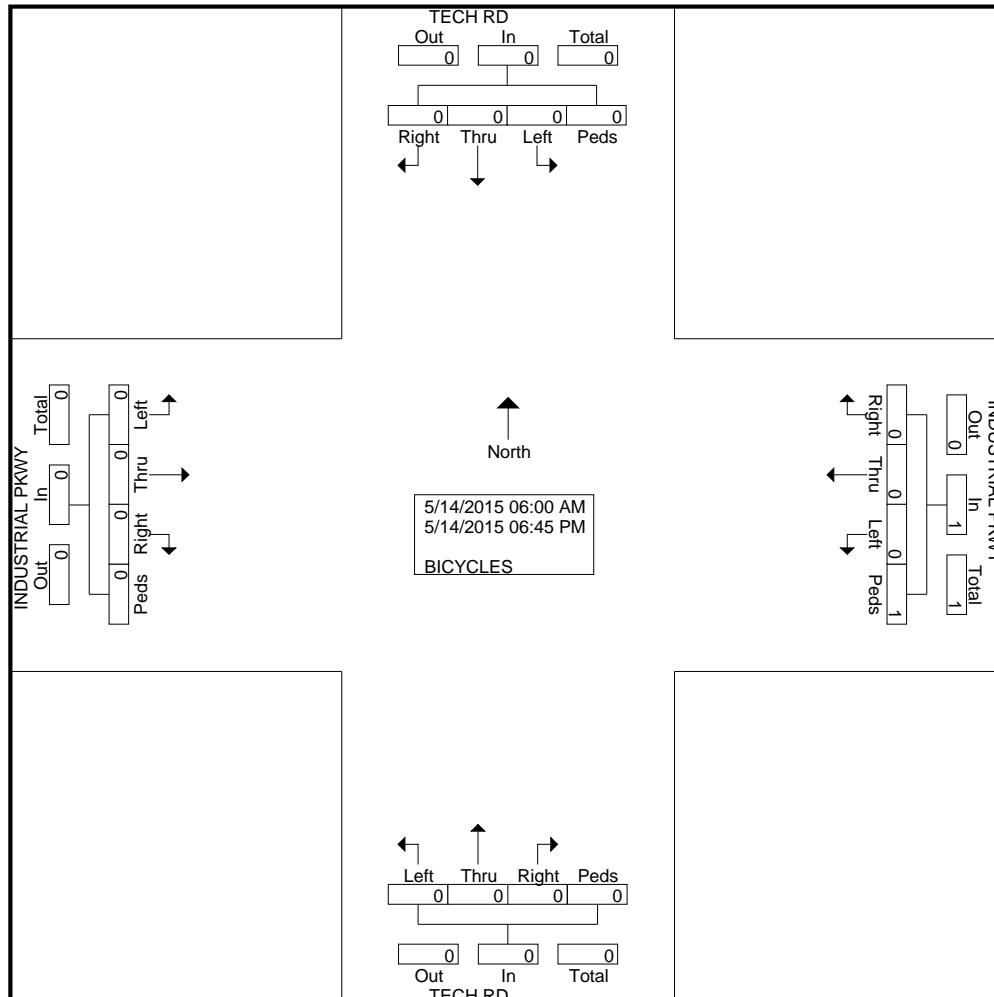
443-741-3500

Weather: SUNNY  
Counted By: DARRELL  
Town: WHITE OAK  
County: MONTGOMERY

File Name : Tech Rd at Industrial Pkwy  
Site Code : 00000000  
Start Date : 5/14/2015  
Page No : 1

Groups Printed- BICYCLES

Start Time	TECH RD From North					INDUSTRIAL PKWY From East					TECH RD From South					INDUSTRIAL PKWY From West					Int. Total
	Right	Thru	Left	Peds	App. Total	Right	Thru	Left	Peds	App. Total	Right	Thru	Left	Peds	App. Total	Right	Thru	Left	Peds	App. Total	
**BREAK**																					
11:15 AM	0	0	0	0	0	0	0	0	1	1	0	0	0	0	0	0	0	0	0	0	0
**BREAK**																					
Total	0	0	0	0	0	0	0	0	1	1	0	0	0	0	0	0	0	0	0	0	0
**BREAK**																					
Grand Total	0	0	0	0	0	0	0	0	1	1	0	0	0	0	0	0	0	0	0	0	0
Apprch %	0	0	0	0	0	0	0	0	100		0	0	0	0		0	0	0	0		
Total %	0	0	0	0	0	0	0	0	100	100	0	0	0	0	0	0	0	0	0	0	0



# Sabra, Wang & Assoc, Inc

7055 Samuel Morse Dr, Suite 100  
Columbia, MD 21046

443-741-3500

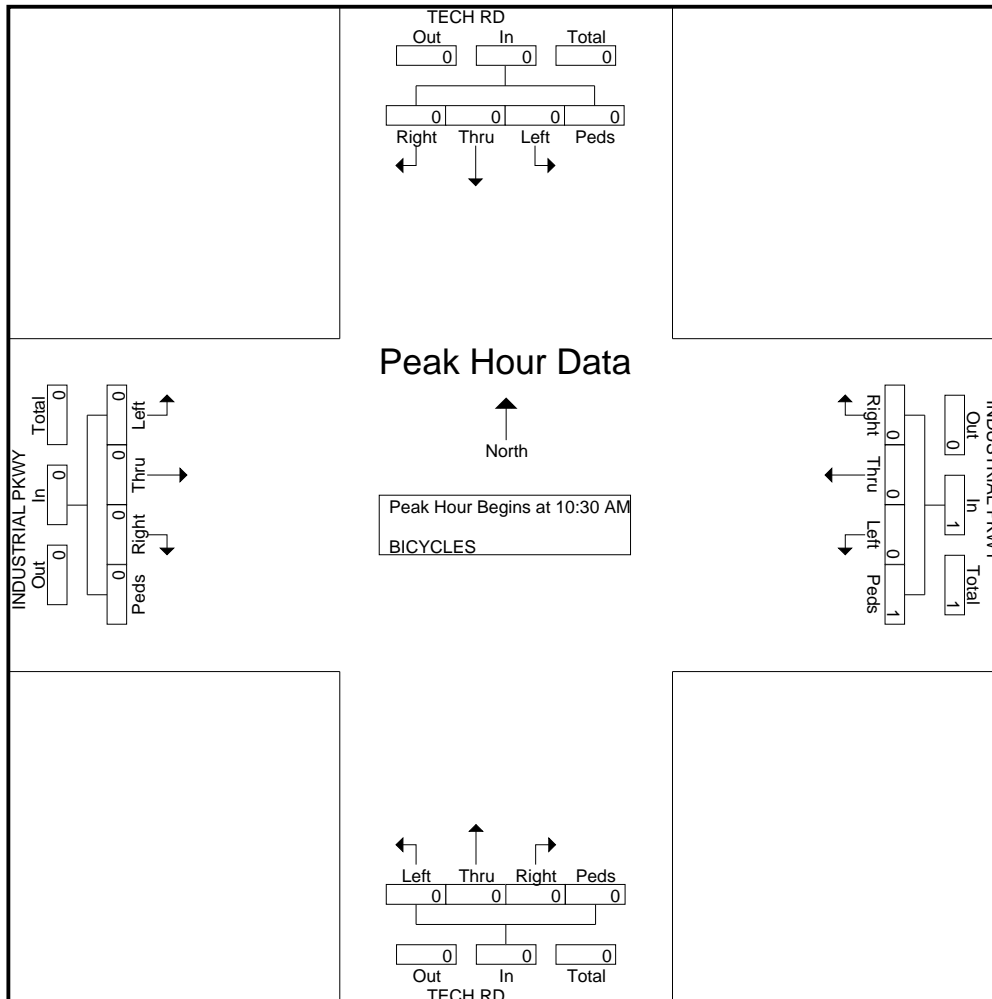
File Name : Tech Rd at Industrial Pkwy

Site Code : 00000000

Start Date : 5/14/2015

Page No : 2

Start Time	TECH RD From North					INDUSTRIAL PKWY From East					TECH RD From South					INDUSTRIAL PKWY From West					Int. Total
	Right	Thru	Left	Peds	App. Total	Right	Thru	Left	Peds	App. Total	Right	Thru	Left	Peds	App. Total	Right	Thru	Left	Peds	App. Total	
Peak Hour Analysis From 06:00 AM to 11:45 AM - Peak 1 of 1																					
Peak Hour for Entire Intersection Begins at 10:30 AM																					
10:30 AM	0	0	0	0	0	0	0	0	0	0	0	0	0	0	0	0	0	0	0	0	0
10:45 AM	0	0	0	0	0	0	0	0	0	0	0	0	0	0	0	0	0	0	0	0	0
11:00 AM	0	0	0	0	0	0	0	0	0	0	0	0	0	0	0	0	0	0	0	0	0
11:15 AM	0	0	0	0	0	0	0	0	1	1	0	0	0	0	0	0	0	0	0	0	1
Total Volume	0	0	0	0	0	0	0	0	1	1	0	0	0	0	0	0	0	0	0	0	1
% App. Total	0	0	0	0	0	0	0	0	100	100	0	0	0	0	0	0	0	0	0	0	100
PHF	.000	.000	.000	.000	.000	.000	.000	.000	.250	.250	.000	.000	.000	.000	.000	.000	.000	.000	.000	.000	.250



# Sabra, Wang & Assoc, Inc

7055 Samuel Morse Dr, Suite 100  
Columbia, MD 21046

443-741-3500

File Name : Tech Rd at Industrial Pkwy

Site Code : 00000000

Start Date : 5/14/2015

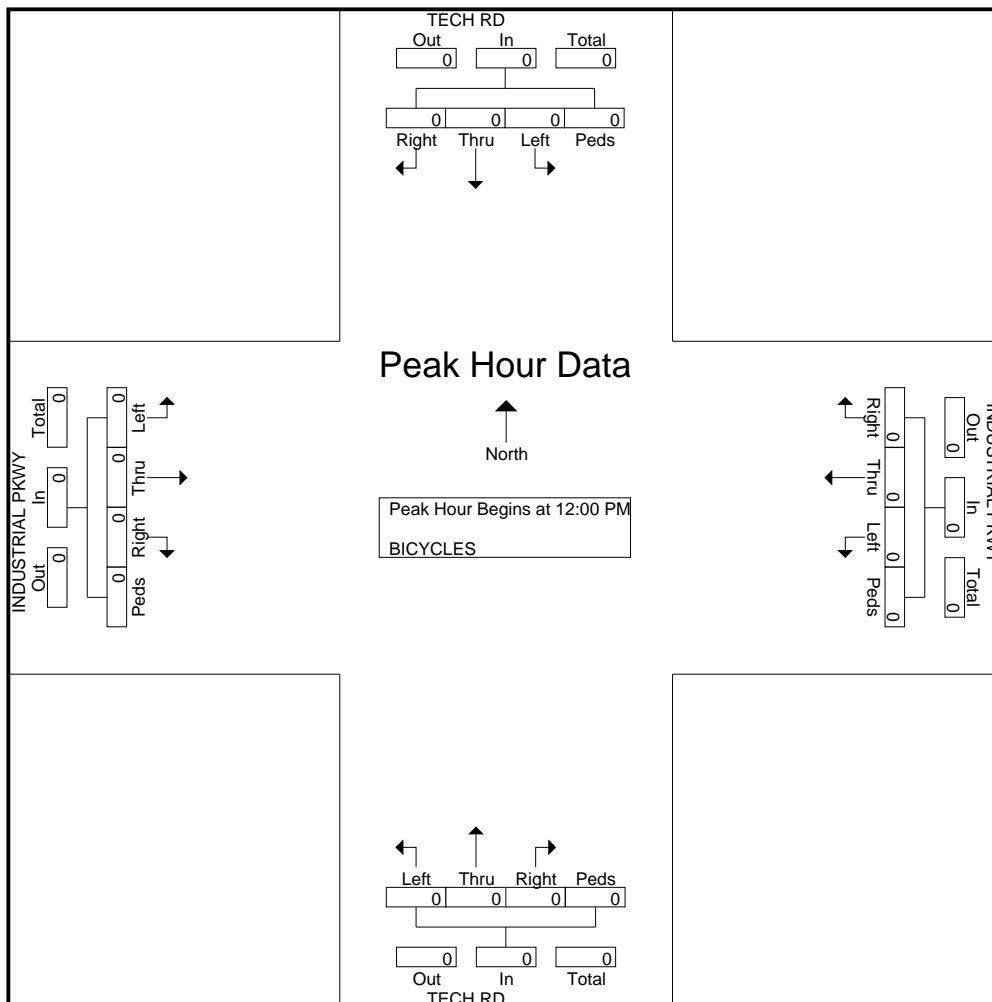
Page No : 3

Start Time	TECH RD From North					INDUSTRIAL PKWY From East					TECH RD From South					INDUSTRIAL PKWY From West					Int. Total
	Right	Thru	Left	Peds	App. Total	Right	Thru	Left	Peds	App. Total	Right	Thru	Left	Peds	App. Total	Right	Thru	Left	Peds	App. Total	

Peak Hour Analysis From 12:00 PM to 06:45 PM - Peak 1 of 1

Peak Hour for Entire Intersection Begins at 12:00 PM

12:00 PM	0	0	0	0	0	0	0	0	0	0	0	0	0	0	0	0	0	0	0	0	0	0
12:15 PM	0	0	0	0	0	0	0	0	0	0	0	0	0	0	0	0	0	0	0	0	0	0
12:30 PM	0	0	0	0	0	0	0	0	0	0	0	0	0	0	0	0	0	0	0	0	0	0
12:45 PM	0	0	0	0	0	0	0	0	0	0	0	0	0	0	0	0	0	0	0	0	0	0
Total Volume	0	0	0	0	0	0	0	0	0	0	0	0	0	0	0	0	0	0	0	0	0	0
% App. Total	0	0	0	0	0	0	0	0	0	0	0	0	0	0	0	0	0	0	0	0	0	0
PHF	.000	.000	.000	.000	.000	.000	.000	.000	.000	.000	.000	.000	.000	.000	.000	.000	.000	.000	.000	.000	.000	.000



# Sabra, Wang & Assoc, Inc

7055 Samuel Morse Dr, Suite 100  
Columbia, MD 21046

443-741-3500

Weather: SUNNY  
Counted By: MARCIE & GARY  
Town: SILVER SPRING  
County: MONTGOMERY

File Name : Tech Rd at Prosperity Rd  
Site Code : 00000000  
Start Date : 5/14/2015  
Page No : 1

## Groups Printed- VEHS&PEDS

Start Time	PROSPERITY DR From North					TECH RD From East					PROSPERITY DR From South					TECH RD From West					Int. Total
	Right	Thru	Left	Peds	App. Total	Right	Thru	Left	Peds	App. Total	Right	Thru	Left	Peds	App. Total	Right	Thru	Left	Peds	App. Total	
06:00 AM	4	0	0	0	4	0	48	2	0	50	0	1	0	0	1	1	55	12	0	68	123
06:15 AM	10	4	2	3	19	5	56	2	0	63	1	2	0	0	3	3	61	9	0	73	158
06:30 AM	15	4	2	1	22	0	61	3	0	64	0	0	2	0	2	2	57	19	0	78	166
06:45 AM	13	4	5	5	27	4	78	2	0	84	1	2	1	0	4	1	64	21	0	86	201
Total	42	12	9	9	72	9	243	9	0	261	2	5	3	0	10	7	237	61	0	305	648
07:00 AM	12	7	8	2	29	2	58	1	1	62	5	2	0	0	7	1	84	22	0	107	205
07:15 AM	15	4	0	0	19	0	59	2	0	61	0	1	0	0	1	1	118	31	2	152	233
07:30 AM	17	5	2	1	25	7	75	5	1	88	2	4	3	0	9	4	109	28	1	142	264
07:45 AM	17	5	3	0	25	7	62	3	0	72	1	6	3	0	10	8	134	28	0	170	277
Total	61	21	13	3	98	16	254	11	2	283	8	13	6	0	27	14	445	109	3	571	979
08:00 AM	18	6	4	2	30	6	54	2	3	65	2	5	1	5	13	11	161	29	5	206	314
08:15 AM	20	8	6	2	36	6	68	1	1	76	5	3	4	0	12	2	147	25	0	174	298
08:30 AM	19	3	4	0	26	3	73	3	0	79	3	3	0	0	6	10	116	38	1	165	276
08:45 AM	11	5	2	4	22	8	76	2	1	87	5	3	2	0	10	5	172	40	1	218	337
Total	68	22	16	8	114	23	271	8	5	307	15	14	7	5	41	28	596	132	7	763	1225
09:00 AM	15	4	8	2	29	7	98	3	0	108	7	2	1	0	10	4	172	44	0	220	367
09:15 AM	13	5	6	1	25	10	107	1	1	119	4	9	0	1	14	10	126	37	0	173	331
09:30 AM	24	11	6	4	45	8	94	2	0	104	5	5	3	0	13	9	117	42	0	168	330
09:45 AM	21	5	0	3	29	8	104	1	2	115	5	12	3	0	20	3	101	44	0	148	312
Total	73	25	20	10	128	33	403	7	3	446	21	28	7	1	57	26	516	167	0	709	1340
**BREAK**																					
04:00 PM	23	2	1	2	28	6	118	1	0	125	7	9	4	3	23	0	67	29	0	96	272
04:15 PM	29	10	2	2	43	8	175	1	3	187	5	7	3	0	15	3	106	45	0	154	399
04:30 PM	22	8	1	3	34	3	186	2	4	195	3	8	4	0	15	2	84	19	0	105	349
04:45 PM	31	6	11	5	53	13	143	0	2	158	5	14	4	0	23	2	89	34	0	125	359
Total	105	26	15	12	158	30	622	4	9	665	20	38	15	3	76	7	346	127	0	480	1379
05:00 PM	27	7	4	4	42	3	187	2	1	193	7	11	1	1	20	7	92	35	0	134	389
05:15 PM	28	9	2	0	39	9	187	4	0	200	4	12	2	0	18	4	94	28	0	126	383
05:30 PM	27	9	1	2	39	4	164	0	0	168	4	10	0	0	14	9	92	23	0	124	345

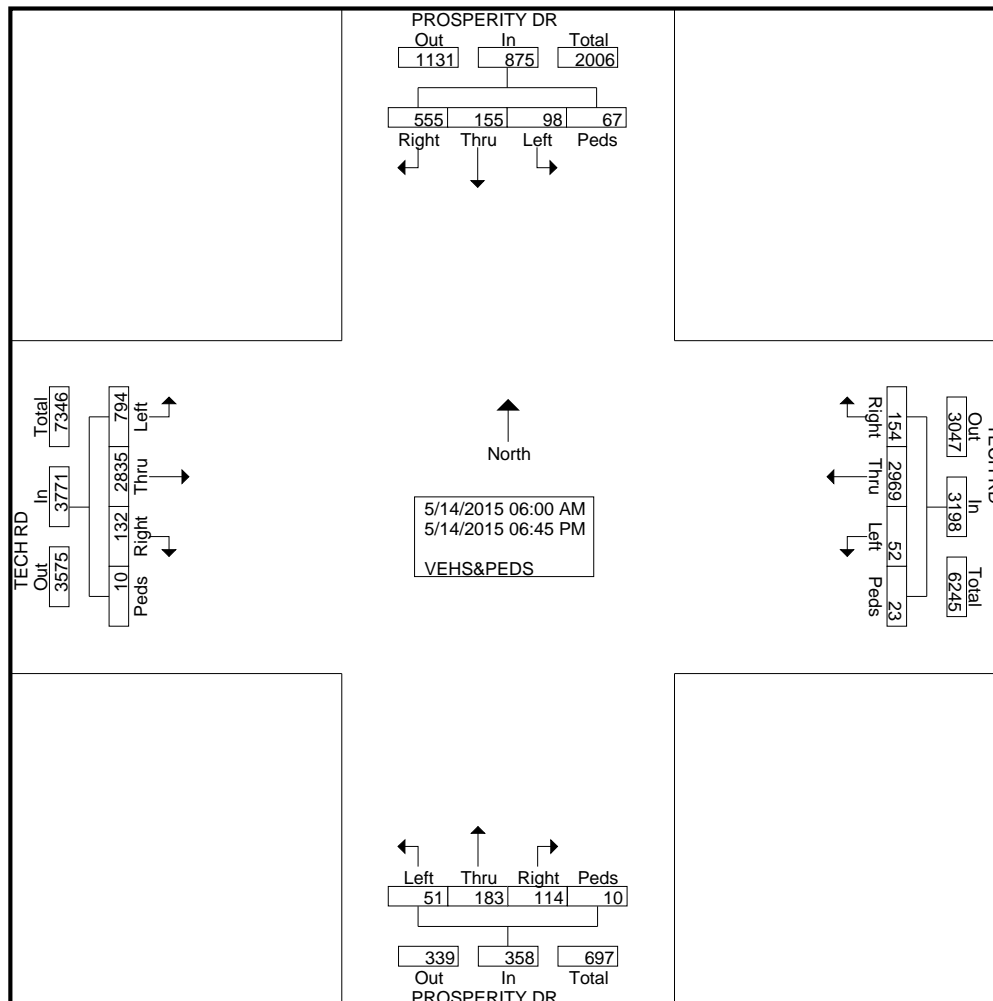
# Sabra, Wang & Assoc, Inc

7055 Samuel Morse Dr, Suite 100  
Columbia, MD 21046  
443-741-3500

File Name : Tech Rd at Prosperity Rd  
Site Code : 00000000  
Start Date : 5/14/2015  
Page No : 2

## Groups Printed- VEHS&PEDS

Start Time	PROSPERITY DR From North					TECH RD From East					PROSPERITY DR From South					TECH RD From West					Int. Total
	Right	Thru	Left	Peds	App. Total	Right	Thru	Left	Peds	App. Total	Right	Thru	Left	Peds	App. Total	Right	Thru	Left	Peds	App. Total	
05:45 PM	25	8	4	6	43	5	156	2	1	164	4	8	3	0	15	10	85	23	0	118	340
Total	107	33	11	12	163	21	694	8	2	725	19	41	6	1	67	30	363	109	0	502	1457
06:00 PM	19	1	3	2	25	6	146	0	0	152	7	6	1	0	14	6	73	22	0	101	292
06:15 PM	29	2	3	10	44	6	109	2	0	117	6	13	3	0	22	5	90	16	0	111	294
06:30 PM	31	7	2	0	40	3	115	2	0	120	9	15	1	0	25	5	83	20	0	108	293
06:45 PM	20	6	6	1	33	7	112	1	2	122	7	10	2	0	19	4	86	31	0	121	295
Total	99	16	14	13	142	22	482	5	2	511	29	44	7	0	80	20	332	89	0	441	1174
Grand Total	555	155	98	67	875	154	2969	52	23	3198	114	183	51	10	358	132	2835	794	10	3771	8202
Apprch %	63.4	17.7	11.2	7.7		4.8	92.8	1.6	0.7		31.8	51.1	14.2	2.8		3.5	75.2	21.1	0.3		
Total %	6.8	1.9	1.2	0.8	10.7	1.9	36.2	0.6	0.3	39	1.4	2.2	0.6	0.1	4.4	1.6	34.6	9.7	0.1	46	



# Sabra, Wang & Assoc, Inc

7055 Samuel Morse Dr, Suite 100  
Columbia, MD 21046  
443-741-3500

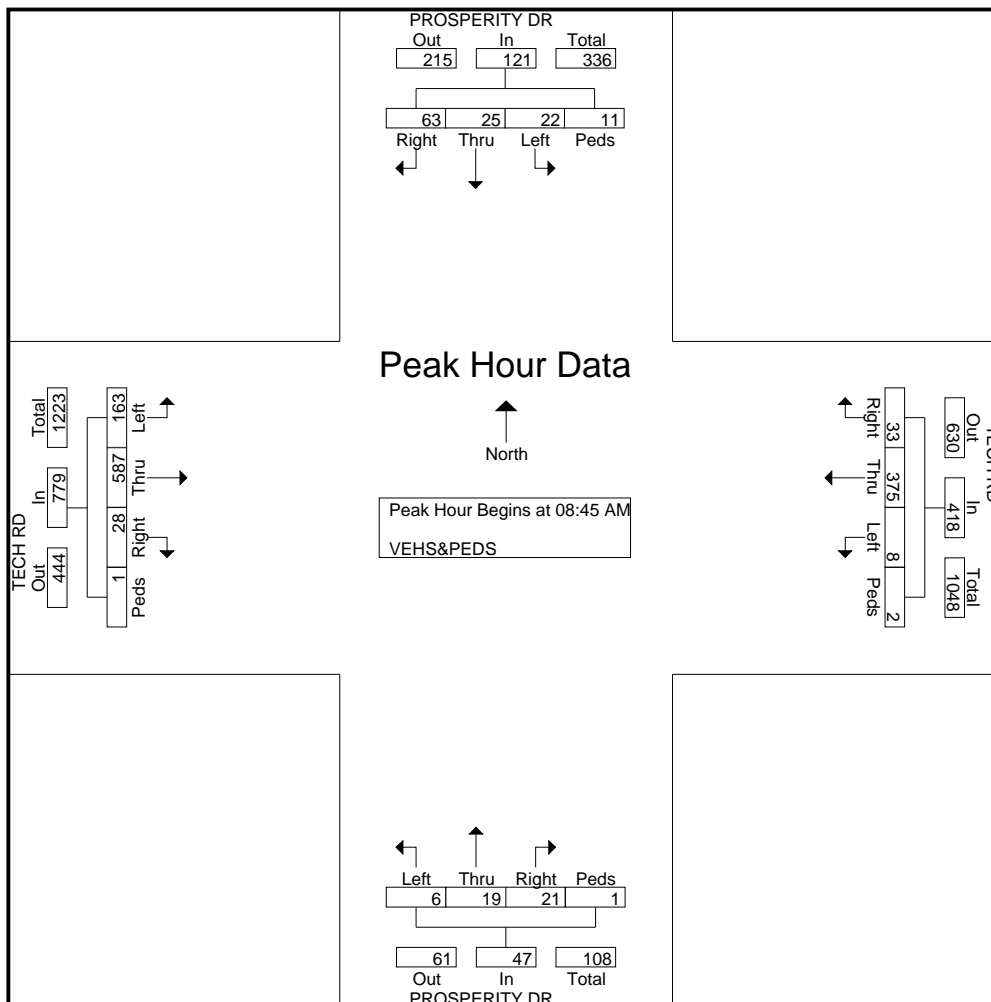
File Name : Tech Rd at Prosperity Rd  
Site Code : 00000000  
Start Date : 5/14/2015  
Page No : 3

Start Time	PROSPERITY DR From North					TECH RD From East					PROSPERITY DR From South					TECH RD From West					Int. Total
	Right	Thru	Left	Peds	App. Total	Right	Thru	Left	Peds	App. Total	Right	Thru	Left	Peds	App. Total	Right	Thru	Left	Peds	App. Total	

Peak Hour Analysis From 06:00 AM to 11:45 AM - Peak 1 of 1

Peak Hour for Entire Intersection Begins at 08:45 AM

08:45 AM	11	5	2	4	22	8	76	2	1	87	5	3	2	0	10	5	172	40	1	218	337
09:00 AM	15	4	8	2	29	7	98	3	0	108	7	2	1	0	10	4	172	44	0	220	367
09:15 AM	13	5	6	1	25	10	107	1	1	119	4	9	0	1	14	10	126	37	0	173	331
09:30 AM	24	11	6	4	45	8	94	2	0	104	5	5	3	0	13	9	117	42	0	168	330
Total Volume	63	25	22	11	121	33	375	8	2	418	21	19	6	1	47	28	587	163	1	779	1365
% App. Total	52.1	20.7	18.2	9.1		7.9	89.7	1.9	0.5		44.7	40.4	12.8	2.1		3.6	75.4	20.9	0.1		
PHF	.656	.568	.688	.688	.672	.825	.876	.667	.500	.878	.750	.528	.500	.250	.839	.700	.853	.926	.250	.885	.930



# Sabra, Wang & Assoc, Inc

7055 Samuel Morse Dr, Suite 100  
Columbia, MD 21046  
443-741-3500

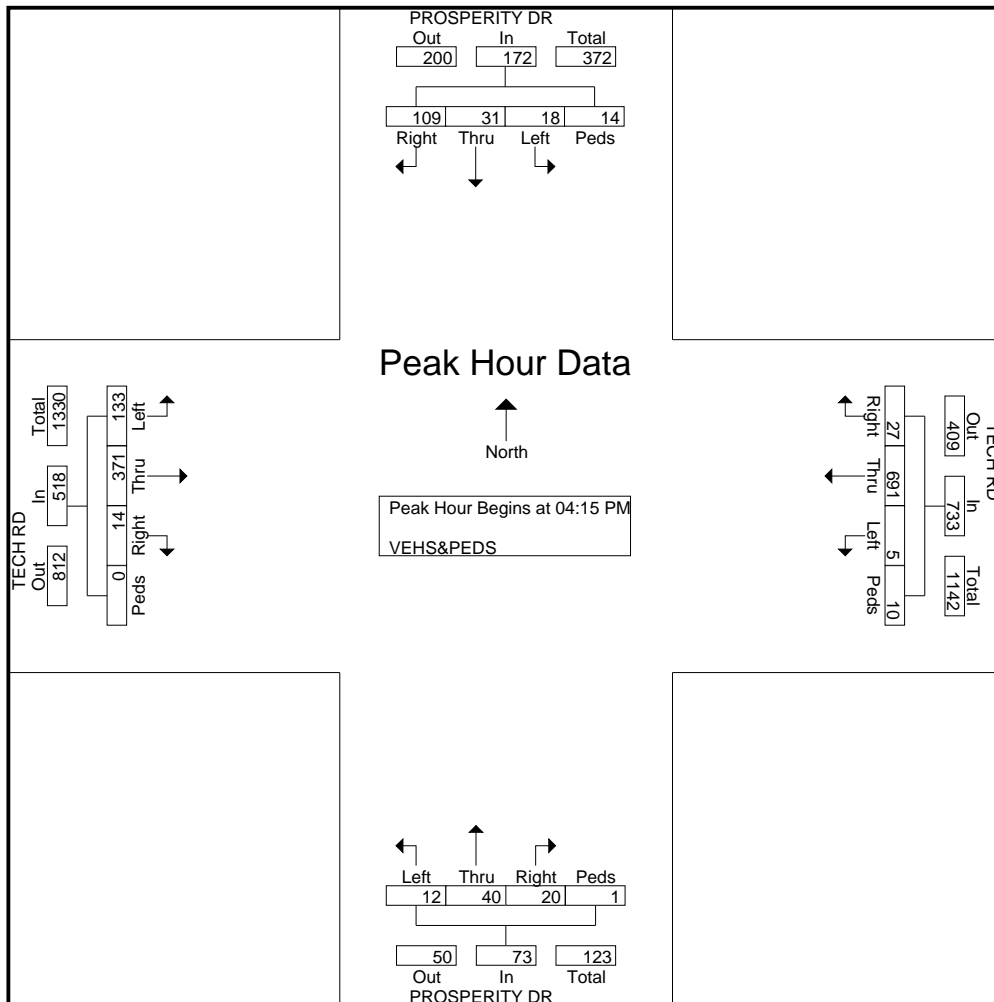
File Name : Tech Rd at Prosperity Rd  
Site Code : 00000000  
Start Date : 5/14/2015  
Page No : 4

Start Time	PROSPERITY DR From North					TECH RD From East					PROSPERITY DR From South					TECH RD From West					Int. Total
	Right	Thru	Left	Peds	App. Total	Right	Thru	Left	Peds	App. Total	Right	Thru	Left	Peds	App. Total	Right	Thru	Left	Peds	App. Total	

Peak Hour Analysis From 12:00 PM to 06:45 PM - Peak 1 of 1

Peak Hour for Entire Intersection Begins at 04:15 PM

04:15 PM	29	<b>10</b>	2	2	43	8	175	1	3	187	5	7	3	0	15	3	<b>106</b>	<b>45</b>	0	<b>154</b>	<b>399</b>
04:30 PM	22	8	1	3	34	3	186	<b>2</b>	<b>4</b>	<b>195</b>	3	8	<b>4</b>	0	15	2	84	19	0	105	349
04:45 PM	<b>31</b>	6	<b>11</b>	<b>5</b>	<b>53</b>	<b>13</b>	143	0	2	158	5	<b>14</b>	4	0	<b>23</b>	2	89	34	0	125	359
05:00 PM	27	7	4	4	42	3	<b>187</b>	2	1	193	<b>7</b>	11	1	<b>1</b>	20	<b>7</b>	92	35	0	134	389
Total Volume	109	31	18	14	172	27	691	5	10	733	20	40	12	1	73	14	371	133	0	518	1496
% App. Total	63.4	18	10.5	8.1		3.7	94.3	0.7	1.4		27.4	54.8	16.4	1.4		2.7	71.6	25.7	0		
PHF	.879	.775	.409	.700	.811	.519	.924	.625	.625	.940	.714	.714	.750	.250	.793	.500	.875	.739	.000	.841	.937



# Sabra, Wang & Assoc, Inc

7055 Samuel Morse Dr, Suite 100  
Columbia, MD 21046  
*443-741-3500*

Weather: SUNNY  
Counted By: MARCIE & GARY  
Town: SILVER SPRING  
County: MONTGOMERY

File Name : Tech Rd at Prosperity Rd  
Site Code : 00000000  
Start Date : 5/14/2015  
Page No : 1

Groups Printed- UTurns

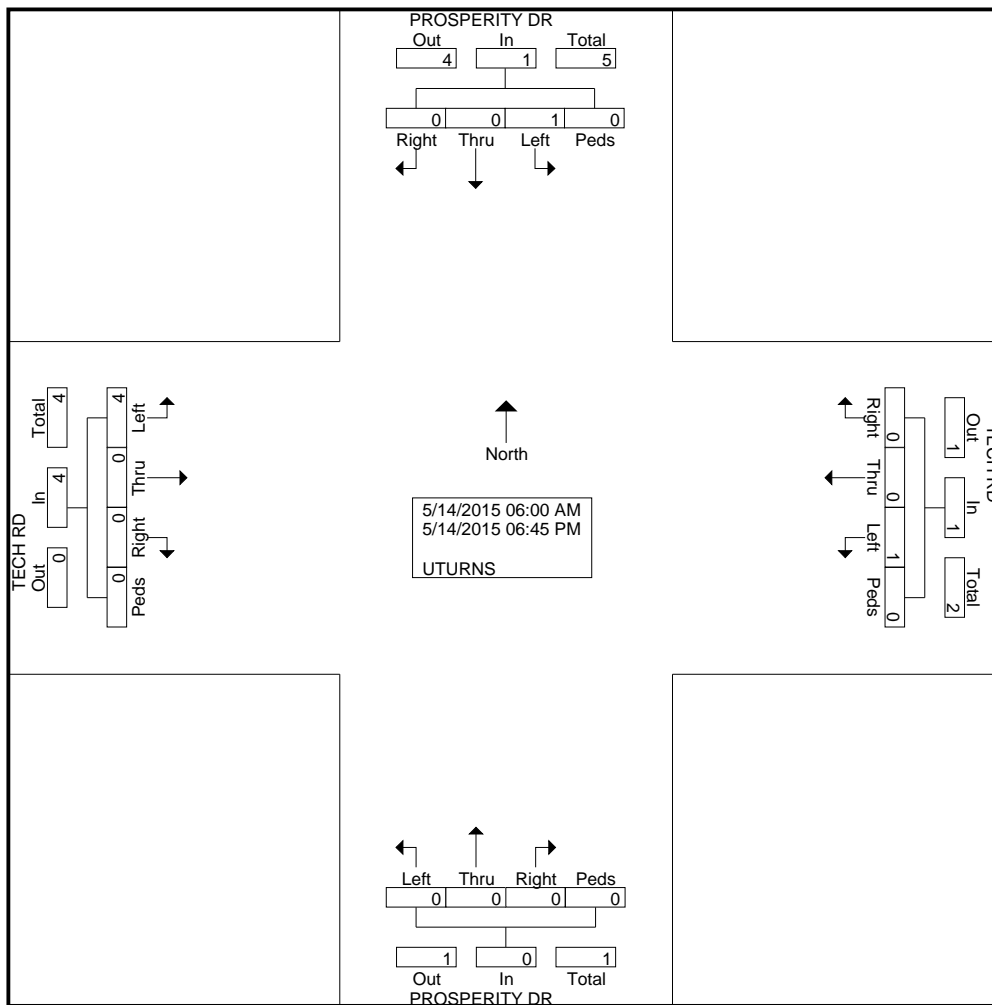
Start Time	PROSPERITY DR From North					TECH RD From East					PROSPERITY DR From South					TECH RD From West					Int. Total
	Right	Thru	Left	Peds	App. Total	Right	Thru	Left	Peds	App. Total	Right	Thru	Left	Peds	App. Total	Right	Thru	Left	Peds	App. Total	
**BREAK**																					
06:30 AM	0	0	0	0	0	0	0	0	0	0	0	0	0	0	0	0	0	1	0	1	1
**BREAK**																					
Total	0	0	0	0	0	0	0	0	0	0	0	0	0	0	0	0	0	1	0	1	1
**BREAK**																					
07:30 AM	0	0	0	0	0	0	0	0	0	0	0	0	0	0	0	0	0	1	0	1	1
07:45 AM	0	0	0	0	0	0	0	1	0	1	0	0	0	0	0	0	0	0	0	0	1
Total	0	0	0	0	0	0	0	1	0	1	0	0	0	0	0	0	0	1	0	1	2
**BREAK**																					
08:45 AM	0	0	1	0	1	0	0	0	0	0	0	0	0	0	0	0	0	0	0	0	1
Total	0	0	1	0	1	0	0	0	0	0	0	0	0	0	0	0	0	0	0	0	1
**BREAK**																					
09:30 AM	0	0	0	0	0	0	0	0	0	0	0	0	0	0	0	0	0	1	0	1	1
**BREAK**																					
Total	0	0	0	0	0	0	0	0	0	0	0	0	0	0	0	0	0	1	0	1	1
**BREAK**																					
06:30 PM	0	0	0	0	0	0	0	0	0	0	0	0	0	0	0	0	0	1	0	1	1
**BREAK**																					
Total	0	0	0	0	0	0	0	0	0	0	0	0	0	0	0	0	0	1	0	1	1
Grand Total	0	0	1	0	1	0	0	1	0	1	0	0	0	0	0	0	0	4	0	4	6
Apprch %	0	0	100	0		0	0	100	0		0	0	0	0		0	0	100	0		
Total %	0	0	16.7	0	16.7	0	0	16.7	0	16.7	0	0	0	0	0	0	0	66.7	0	66.7	



# Sabra, Wang & Assoc, Inc

7055 Samuel Morse Dr, Suite 100  
Columbia, MD 21046  
443-741-3500

File Name : Tech Rd at Prosperity Rd  
Site Code : 00000000  
Start Date : 5/14/2015  
Page No : 2



# Sabra, Wang & Assoc, Inc

7055 Samuel Morse Dr, Suite 100  
Columbia, MD 21046

443-741-3500

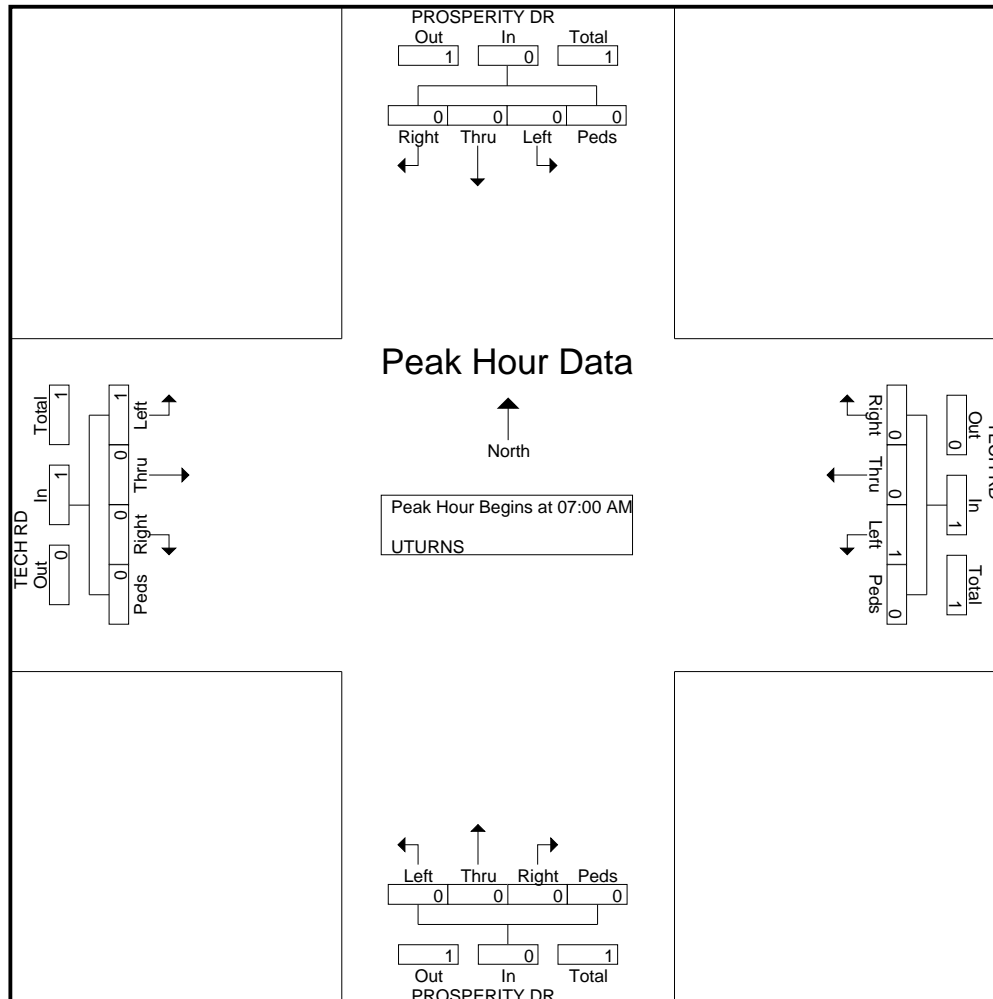
File Name : Tech Rd at Prosperity Rd

Site Code : 00000000

Start Date : 5/14/2015

Page No : 3

Start Time	PROSPERITY DR From North					TECH RD From East					PROSPERITY DR From South					TECH RD From West					Int. Total
	Right	Thru	Left	Peds	App. Total	Right	Thru	Left	Peds	App. Total	Right	Thru	Left	Peds	App. Total	Right	Thru	Left	Peds	App. Total	
Peak Hour Analysis From 06:00 AM to 11:45 AM - Peak 1 of 1																					
Peak Hour for Entire Intersection Begins at 07:00 AM																					
07:00 AM	0	0	0	0	0	0	0	0	0	0	0	0	0	0	0	0	0	0	0	0	0
07:15 AM	0	0	0	0	0	0	0	0	0	0	0	0	0	0	0	0	0	0	0	0	0
07:30 AM	0	0	0	0	0	0	0	0	0	0	0	0	0	0	0	0	0	1	0	1	1
07:45 AM	0	0	0	0	0	0	0	1	0	1	0	0	0	0	0	0	0	0	0	0	1
Total Volume	0	0	0	0	0	0	0	1	0	1	0	0	0	0	0	0	0	1	0	1	2
% App. Total	0	0	0	0	0	0	0	100	0	0	0	0	0	0	0	0	0	100	0	0	
PHF	.000	.000	.000	.000	.000	.000	.000	.250	.000	.250	.000	.000	.000	.000	.000	.000	.000	.250	.000	.250	.500



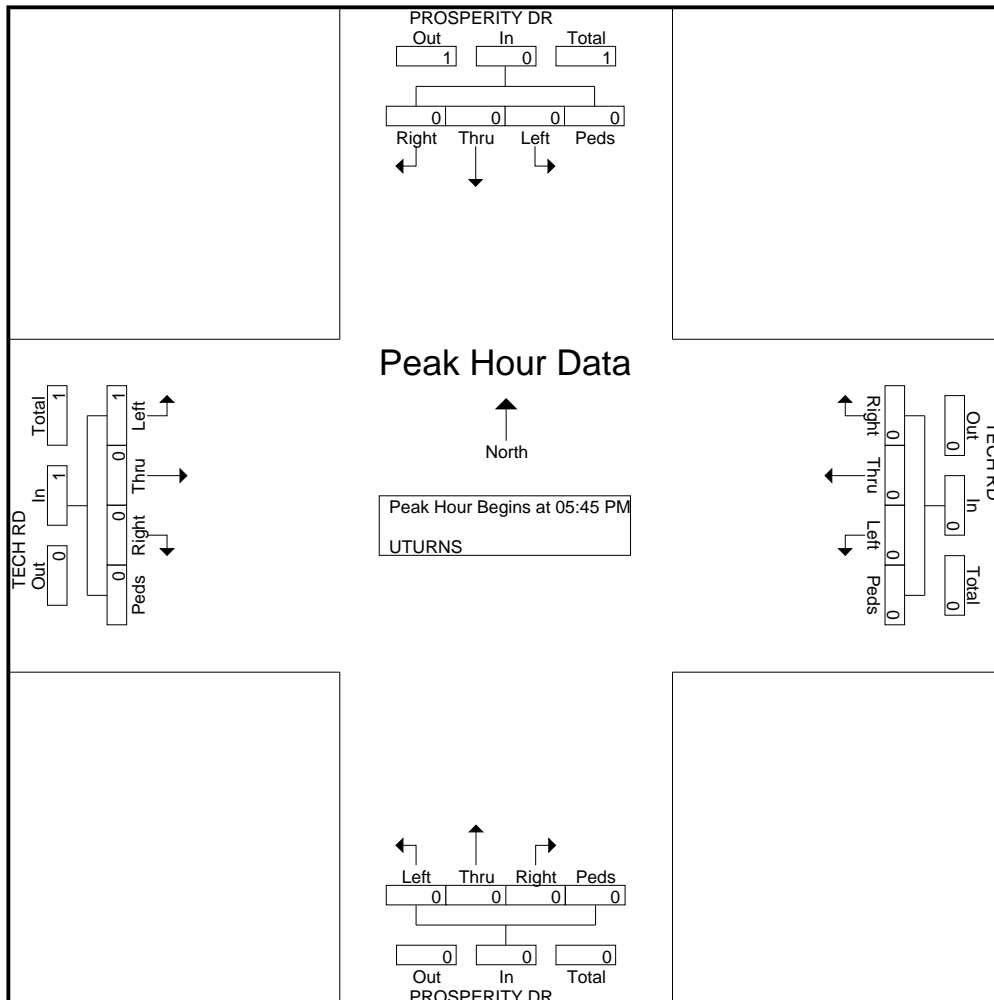
# Sabra, Wang & Assoc, Inc

7055 Samuel Morse Dr, Suite 100  
Columbia, MD 21046  
443-741-3500

File Name : Tech Rd at Prosperity Rd  
Site Code : 00000000  
Start Date : 5/14/2015  
Page No : 4

Start Time	PROSPERITY DR From North					TECH RD From East					PROSPERITY DR From South					TECH RD From West					Int. Total					
	Right	Thru	Left	Peds	App. Total	Right	Thru	Left	Peds	App. Total	Right	Thru	Left	Peds	App. Total	Right	Thru	Left	Peds	App. Total						
05:45 PM	0	0	0	0	0	0	0	0	0	0	0	0	0	0	0	0	0	0	0	0	0	0	0	0	0	0
06:00 PM	0	0	0	0	0	0	0	0	0	0	0	0	0	0	0	0	0	0	0	0	0	0	0	0	0	0
06:15 PM	0	0	0	0	0	0	0	0	0	0	0	0	0	0	0	0	0	0	0	0	0	0	0	0	0	0
06:30 PM	0	0	0	0	0	0	0	0	0	0	0	0	0	0	0	0	0	1	0	1	0	0	1	0	1	1
Total Volume	0	0	0	0	0	0	0	0	0	0	0	0	0	0	0	0	0	1	0	1	0	0	1	0	1	1
% App. Total	0	0	0	0	0	0	0	0	0	0	0	0	0	0	0	0	0	100	0	0	0	0	100	0	0	0
PHF	.000	.000	.000	.000	.000	.000	.000	.000	.000	.000	.000	.000	.000	.000	.000	.000	.000	.250	.000	.250	.000	.000	.250	.000	.250	.250

Peak Hour Analysis From 12:00 PM to 06:45 PM - Peak 1 of 1  
Peak Hour for Entire Intersection Begins at 05:45 PM



# Sabra, Wang & Assoc, Inc

7055 Samuel Morse Dr, Suite 100  
Columbia, MD 21046  
443-741-3500

Weather: SUNNY  
Counted By: MARCIE & GARY  
Town: SILVER SPRING  
County: MONTGOMERY

File Name : Tech Rd at Prosperity Rd  
Site Code : 00000000  
Start Date : 5/14/2015  
Page No : 1

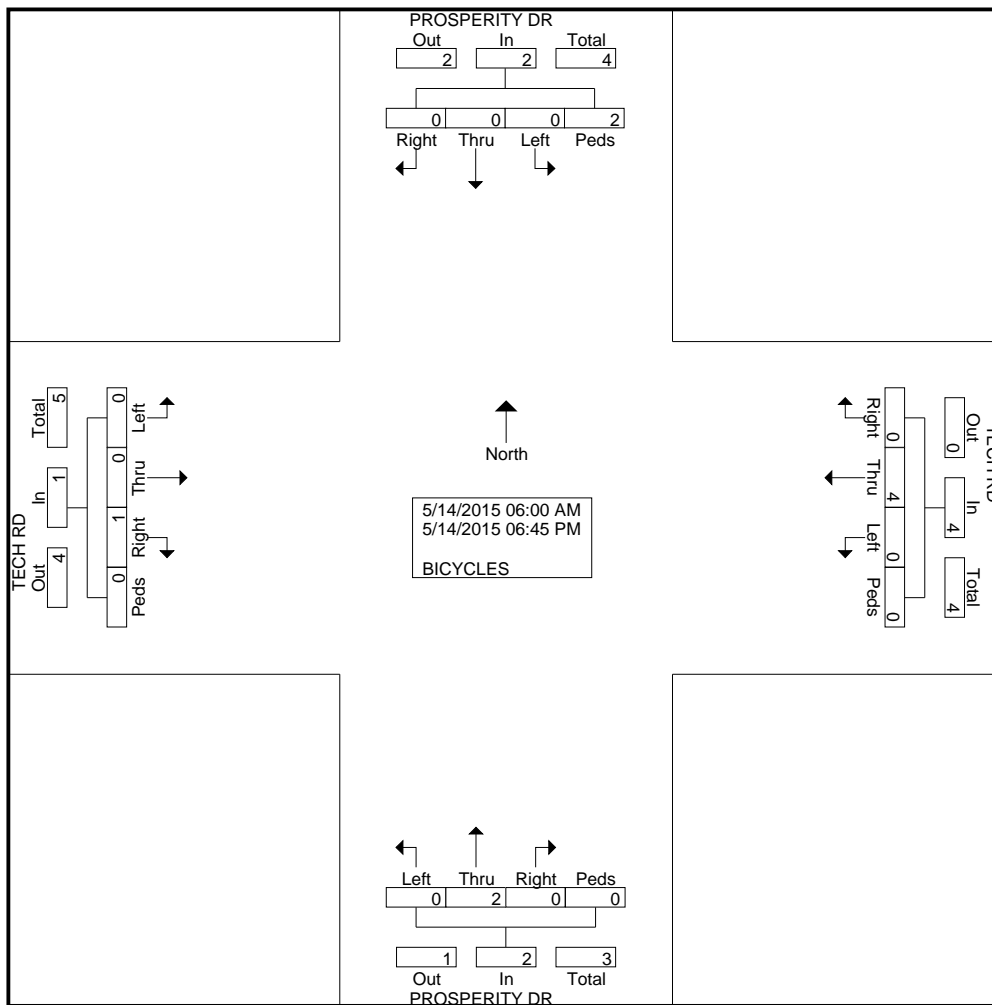
Groups Printed- BICYCLES

Start Time	PROSPERITY DR From North					TECH RD From East					PROSPERITY DR From South					TECH RD From West					Int. Total
	Right	Thru	Left	Peds	App. Total	Right	Thru	Left	Peds	App. Total	Right	Thru	Left	Peds	App. Total	Right	Thru	Left	Peds	App. Total	
**BREAK**																					
08:15 AM	0	0	0	0	0	0	1	0	0	1	0	1	0	0	1	0	0	0	0	0	2
08:30 AM	0	0	0	0	0	0	1	0	0	1	0	0	0	0	0	0	0	0	0	0	1
**BREAK**																					
Total	0	0	0	0	0	0	2	0	0	2	0	1	0	0	1	0	0	0	0	0	3
**BREAK**																					
04:30 PM	0	0	0	0	0	0	0	0	0	0	0	1	0	0	1	0	0	0	0	0	1
04:45 PM	0	0	0	0	0	0	1	0	0	1	0	0	0	0	0	0	0	0	0	0	1
Total	0	0	0	0	0	0	1	0	0	1	0	1	0	0	1	0	0	0	0	0	2
**BREAK**																					
06:00 PM	0	0	0	0	0	0	1	0	0	1	0	0	0	0	0	1	0	0	0	1	2
06:15 PM	0	0	0	2	2	0	0	0	0	0	0	0	0	0	0	0	0	0	0	0	2
**BREAK**																					
Total	0	0	0	2	2	0	1	0	0	1	0	0	0	0	0	1	0	0	0	1	4
Grand Total	0	0	0	2	2	0	4	0	0	4	0	2	0	0	2	1	0	0	0	1	9
Apprch %	0	0	0	100		0	100	0	0		0	100	0	0		100	0	0	0		
Total %	0	0	0	22.2	22.2	0	44.4	0	0	44.4	0	22.2	0	0	22.2	11.1	0	0	0	11.1	

# Sabra, Wang & Assoc, Inc

7055 Samuel Morse Dr, Suite 100  
 Columbia, MD 21046  
 443-741-3500

File Name : Tech Rd at Prosperity Rd  
 Site Code : 00000000  
 Start Date : 5/14/2015  
 Page No : 2



# Sabra, Wang & Assoc, Inc

7055 Samuel Morse Dr, Suite 100  
Columbia, MD 21046

443-741-3500

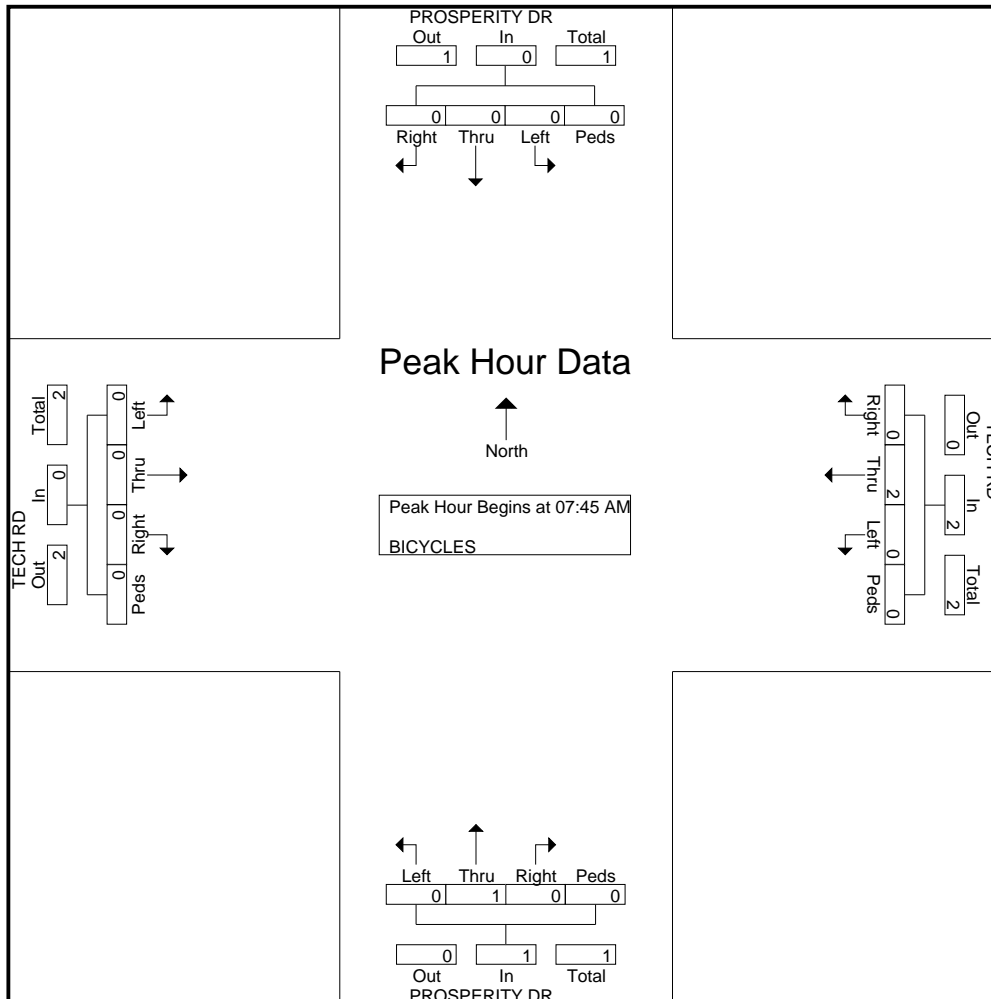
File Name : Tech Rd at Prosperity Rd

Site Code : 00000000

Start Date : 5/14/2015

Page No : 3

Start Time	PROSPERITY DR From North					TECH RD From East					PROSPERITY DR From South					TECH RD From West					Int. Total
	Right	Thru	Left	Peds	App. Total	Right	Thru	Left	Peds	App. Total	Right	Thru	Left	Peds	App. Total	Right	Thru	Left	Peds	App. Total	
Peak Hour Analysis From 06:00 AM to 11:45 AM - Peak 1 of 1																					
Peak Hour for Entire Intersection Begins at 07:45 AM																					
07:45 AM	0	0	0	0	0	0	0	0	0	0	0	0	0	0	0	0	0	0	0	0	0
08:00 AM	0	0	0	0	0	0	0	0	0	0	0	0	0	0	0	0	0	0	0	0	0
08:15 AM	0	0	0	0	0	0	1	0	0	1	0	1	0	0	1	0	0	0	0	0	2
08:30 AM	0	0	0	0	0	0	1	0	0	1	0	0	0	0	0	0	0	0	0	0	1
Total Volume	0	0	0	0	0	0	2	0	0	2	0	1	0	0	1	0	0	0	0	0	3
% App. Total	0	0	0	0	0	0	100	0	0	0	0	100	0	0	0	0	0	0	0	0	0
PHF	.000	.000	.000	.000	.000	.000	.500	.000	.000	.500	.000	.250	.000	.000	.250	.000	.000	.000	.000	.000	.375



# Sabra, Wang & Assoc, Inc

7055 Samuel Morse Dr, Suite 100  
Columbia, MD 21046

443-741-3500

File Name : Tech Rd at Prosperity Rd

Site Code : 00000000

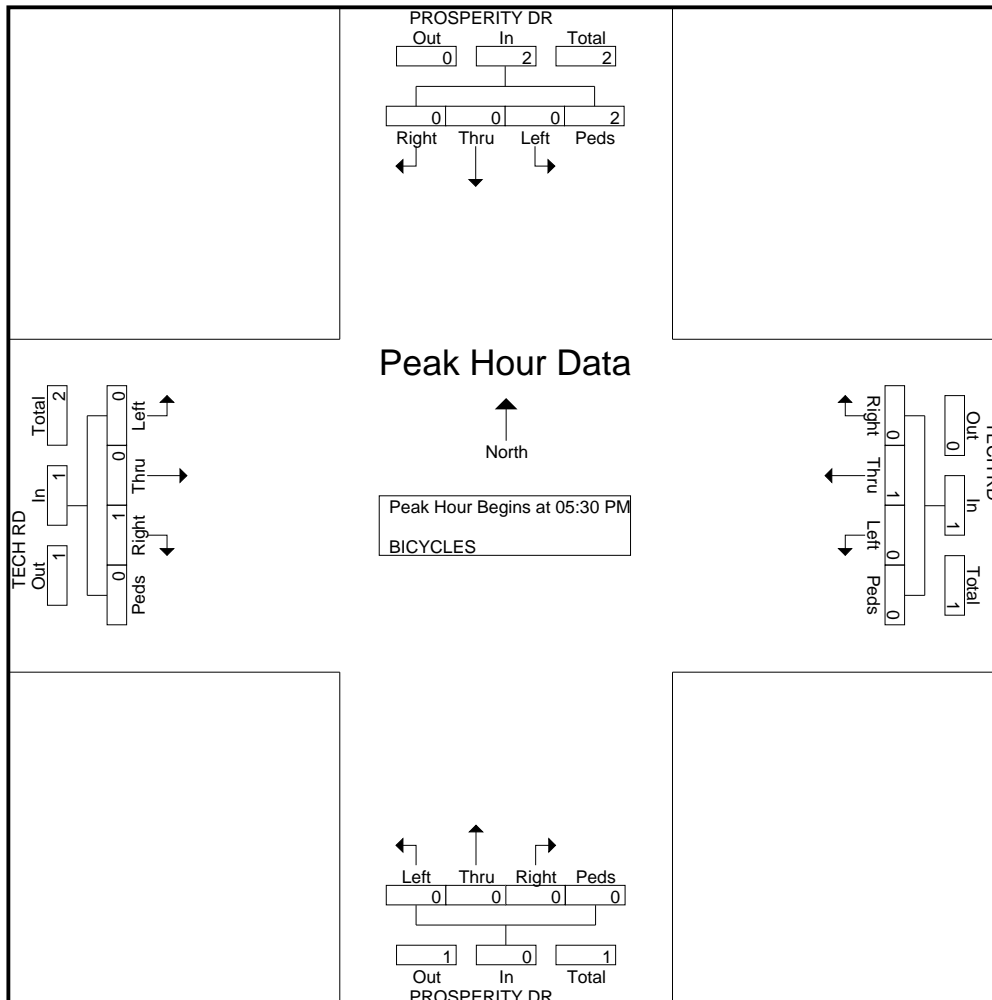
Start Date : 5/14/2015

Page No : 4

Start Time	PROSPERITY DR From North					TECH RD From East					PROSPERITY DR From South					TECH RD From West					Int. Total	
	Right	Thru	Left	Peds	App. Total	Right	Thru	Left	Peds	App. Total	Right	Thru	Left	Peds	App. Total	Right	Thru	Left	Peds	App. Total		
05:30 PM	0	0	0	0	0	0	0	0	0	0	0	0	0	0	0	0	0	0	0	0	0	0
05:45 PM	0	0	0	0	0	0	0	0	0	0	0	0	0	0	0	0	0	0	0	0	0	0
06:00 PM	0	0	0	0	0	0	1	0	0	1	0	0	0	0	0	1	0	0	0	1	1	2
06:15 PM	0	0	0	2	2	0	0	0	0	0	0	0	0	0	0	0	0	0	0	0	0	2
Total Volume	0	0	0	2	2	0	1	0	0	1	0	0	0	0	0	1	0	0	0	1	1	4
% App. Total	0	0	0	100		0	100	0	0		0	0	0	0		100	0	0	0			
PHF	.000	.000	.000	.250	.250	.000	.250	.000	.000	.250	.000	.000	.000	.000	.000	.250	.000	.000	.000	.250	.500	

Peak Hour Analysis From 12:00 PM to 06:45 PM - Peak 1 of 1

Peak Hour for Entire Intersection Begins at 05:30 PM



# Sabra, Wang & Assoc, Inc

7055 Samuel Morse Dr, Suite 100  
Columbia, MD 21046  
443-741-3500

Weather: SUNNY  
Counted By: GARY & MARCIE  
Town: SILVER SPRING  
County MONTGOMERY

File Name : US 29 at Burnt Mills Ave  
Site Code : 00000000  
Start Date : 10/20/2015  
Page No : 1

Groups Printed- VEHS&PEDS

Start Time	US 29 From North					BURNT MILLS AVE From East					US 29 From South					BURNT MILLS AVE From West					Int. Total
	Right	Thru	Left	Peds	App. Total	Right	Thru	Left	Peds	App. Total	Right	Thru	Left	Peds	App. Total	Right	Thru	Left	Peds	App. Total	
06:00 AM	0	617	2	1	620	0	0	2	0	2	1	110	1	0	112	11	3	4	0	18	752
06:15 AM	0	782	0	0	782	1	1	1	0	3	0	163	0	0	163	4	5	1	0	10	958
06:30 AM	2	915	3	0	920	1	1	2	0	4	1	179	2	0	182	9	1	4	0	14	1120
06:45 AM	0	870	0	0	870	0	1	1	0	2	0	252	1	0	253	8	1	3	0	12	1137
Total	2	3184	5	1	3192	2	3	6	0	11	2	704	4	0	710	32	10	12	0	54	3967
07:00 AM	2	745	0	0	747	2	7	3	0	12	0	217	7	0	224	10	2	7	0	19	1002
07:15 AM	0	704	0	1	705	3	3	11	1	18	1	290	3	0	294	13	2	11	0	26	1043
07:30 AM	0	696	0	0	696	1	2	34	0	37	0	265	2	0	267	13	2	9	0	24	1024
07:45 AM	0	722	0	0	722	2	1	27	0	30	1	357	6	0	364	12	8	7	0	27	1143
Total	2	2867	0	1	2870	8	13	75	1	97	2	1129	18	0	1149	48	14	34	0	96	4212
08:00 AM	1	686	0	1	688	1	6	9	2	18	0	420	6	0	426	13	0	5	0	18	1150
08:15 AM	2	690	0	0	692	0	2	12	0	14	0	231	4	0	235	13	4	12	0	29	970
08:30 AM	1	613	2	2	618	1	2	1	0	4	0	241	3	0	244	9	2	16	0	27	893
08:45 AM	2	576	0	0	578	0	4	4	0	8	1	236	2	0	239	9	6	13	0	28	853
Total	6	2565	2	3	2576	2	14	26	2	44	1	1128	15	0	1144	44	12	46	0	102	3866
09:00 AM	1	564	0	0	565	0	8	5	0	13	0	228	6	0	234	13	5	15	0	33	845
09:15 AM	1	625	2	0	628	3	9	4	0	16	1	300	6	0	307	9	6	21	0	36	987
09:30 AM	1	590	1	1	593	2	3	1	0	6	2	224	4	0	230	4	11	19	0	34	863
09:45 AM	1	589	4	0	594	0	1	0	0	1	1	264	3	0	268	2	1	6	0	9	872
Total	4	2368	7	1	2380	5	21	10	0	36	4	1016	19	0	1039	28	23	61	0	112	3567
**BREAK**																					
04:00 PM	8	448	2	0	458	1	5	2	0	8	2	653	9	0	664	5	5	25	0	35	1165
04:15 PM	2	492	1	3	498	1	3	0	0	4	0	682	13	0	695	5	5	16	0	26	1223
04:30 PM	6	523	0	0	529	1	1	0	0	2	1	626	5	0	632	3	3	7	0	13	1176
04:45 PM	6	511	2	0	519	2	1	2	1	6	1	576	9	0	586	6	0	11	0	17	1128
Total	22	1974	5	3	2004	5	10	4	1	20	4	2537	36	0	2577	19	13	59	0	91	4692
05:00 PM	8	519	3	1	531	2	3	1	1	7	2	666	10	0	678	4	2	12	1	19	1235
05:15 PM	6	546	3	1	556	1	2	3	0	6	4	701	10	0	715	2	3	5	0	10	1287
05:30 PM	3	587	4	2	596	1	2	2	0	5	3	733	13	0	749	5	2	5	0	12	1362



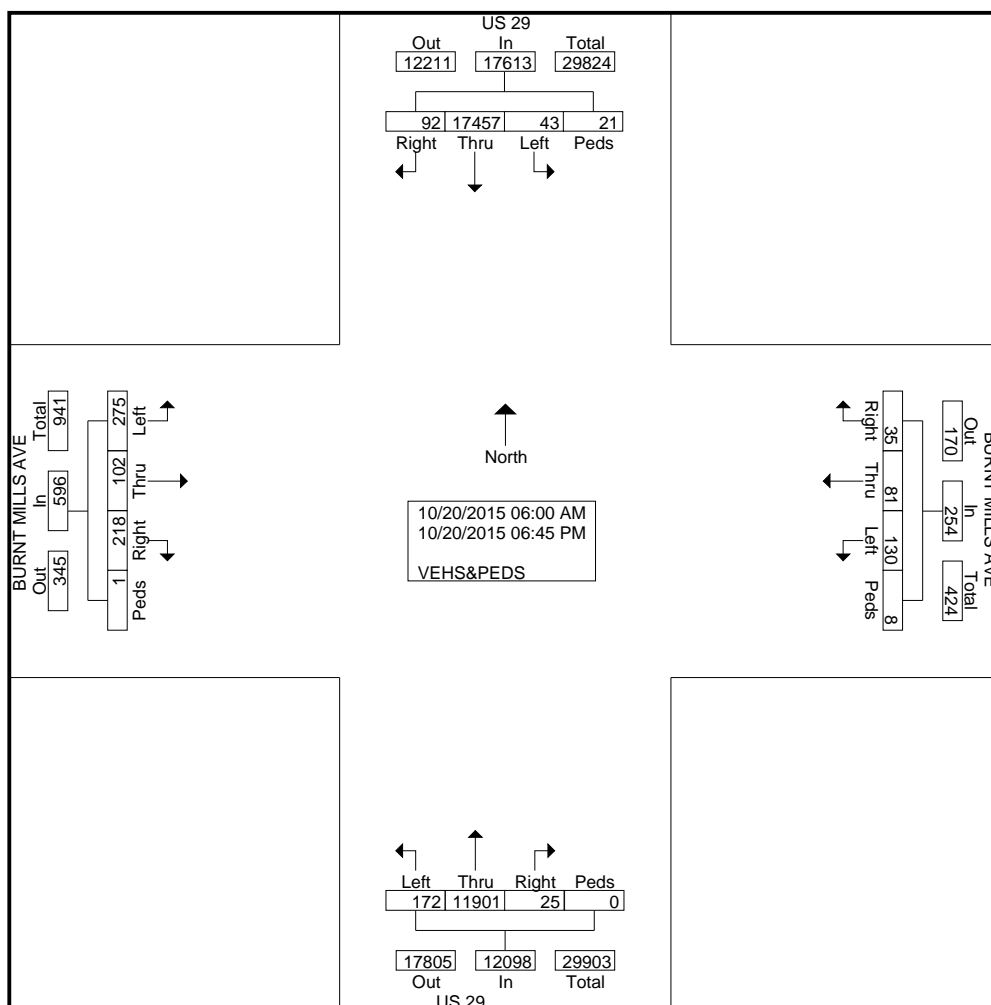
# Sabra, Wang & Assoc, Inc

7055 Samuel Morse Dr, Suite 100  
Columbia, MD 21046  
443-741-3500

File Name : US 29 at Burnt Mills Ave  
Site Code : 00000000  
Start Date : 10/20/2015  
Page No : 2

## Groups Printed- VEHS&PEDS

Start Time	US 29 From North					BURNT MILLS AVE From East					US 29 From South					BURNT MILLS AVE From West					Int. Total
	Right	Thru	Left	Peds	App. Total	Right	Thru	Left	Peds	App. Total	Right	Thru	Left	Peds	App. Total	Right	Thru	Left	Peds	App. Total	
05:45 PM	7	566	0	2	575	1	2	1	0	4	0	650	10	0	660	5	6	5	0	16	1255
Total	24	2218	10	6	2258	5	9	7	1	22	9	2750	43	0	2802	16	13	27	1	57	5139
06:00 PM	4	533	6	3	546	2	2	0	1	5	0	707	8	0	715	8	10	10	0	28	1294
06:15 PM	14	565	1	1	581	0	1	2	2	5	1	703	13	0	717	9	4	13	0	26	1329
06:30 PM	6	610	3	1	620	4	4	0	0	8	2	621	6	0	629	9	2	8	0	19	1276
06:45 PM	8	573	4	1	586	2	4	0	0	6	0	606	10	0	616	5	1	5	0	11	1219
Total	32	2281	14	6	2333	8	11	2	3	24	3	2637	37	0	2677	31	17	36	0	84	5118
Grand Total	92	17457	43	21	17613	35	81	130	8	254	25	11901	172	0	12098	218	102	275	1	596	30561
Apprch %	0.5	99.1	0.2	0.1		13.8	31.9	51.2	3.1		0.2	98.4	1.4	0		36.6	17.1	46.1	0.2		
Total %	0.3	57.1	0.1	0.1	57.6	0.1	0.3	0.4	0	0.8	0.1	38.9	0.6	0	39.6	0.7	0.3	0.9	0	2	



# Sabra, Wang & Assoc, Inc

7055 Samuel Morse Dr, Suite 100  
Columbia, MD 21046  
443-741-3500

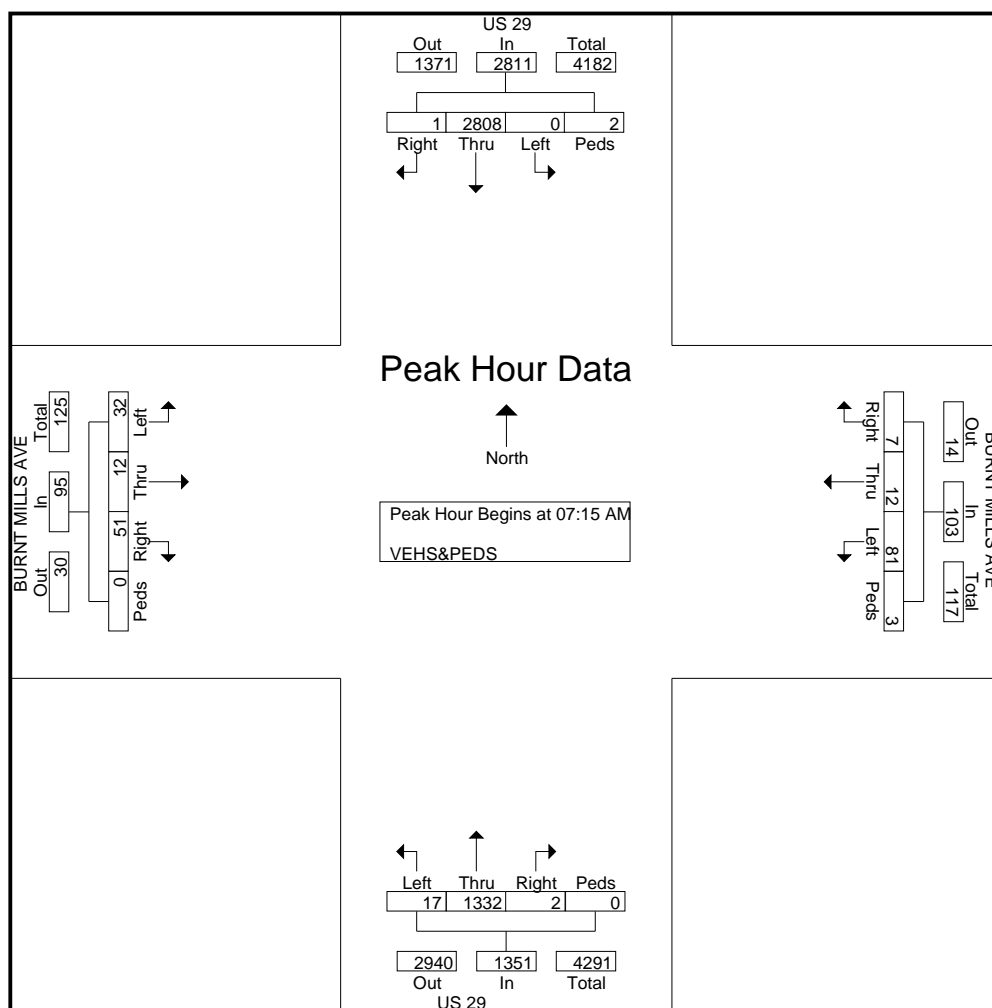
File Name : US 29 at Burnt Mills Ave  
Site Code : 00000000  
Start Date : 10/20/2015  
Page No : 3

Start Time	US 29 From North					BURNT MILLS AVE From East					US 29 From South					BURNT MILLS AVE From West					Int. Total
	Right	Thru	Left	Peds	App. Total	Right	Thru	Left	Peds	App. Total	Right	Thru	Left	Peds	App. Total	Right	Thru	Left	Peds	App. Total	

Peak Hour Analysis From 06:00 AM to 11:45 AM - Peak 1 of 1

Peak Hour for Entire Intersection Begins at 07:15 AM

07:15 AM	0	704	0	1	705	3	3	11	1	18	1	290	3	0	294	13	2	11	0	26	1043
07:30 AM	0	696	0	0	696	1	2	34	0	37	0	265	2	0	267	13	2	9	0	24	1024
07:45 AM	0	<b>722</b>	0	0	<b>722</b>	2	1	27	0	30	1	357	6	0	364	12	8	7	0	<b>27</b>	1143
08:00 AM	1	686	0	1	688	1	6	9	2	18	0	<b>420</b>	6	0	<b>426</b>	13	0	5	0	18	<b>1150</b>
Total Volume	1	2808	0	2	2811	7	12	81	3	103	2	1332	17	0	1351	51	12	32	0	95	4360
% App. Total	0	99.9	0	0.1		6.8	11.7	78.6	2.9		0.1	98.6	1.3	0		53.7	12.6	33.7	0		
PHF	.250	.972	.000	.500	.973	.583	.500	.596	.375	.696	.500	.793	.708	.000	.793	.981	.375	.727	.000	.880	.948



# Sabra, Wang & Assoc, Inc

7055 Samuel Morse Dr, Suite 100  
Columbia, MD 21046

443-741-3500

File Name : US 29 at Burnt Mills Ave

Site Code : 00000000

Start Date : 10/20/2015

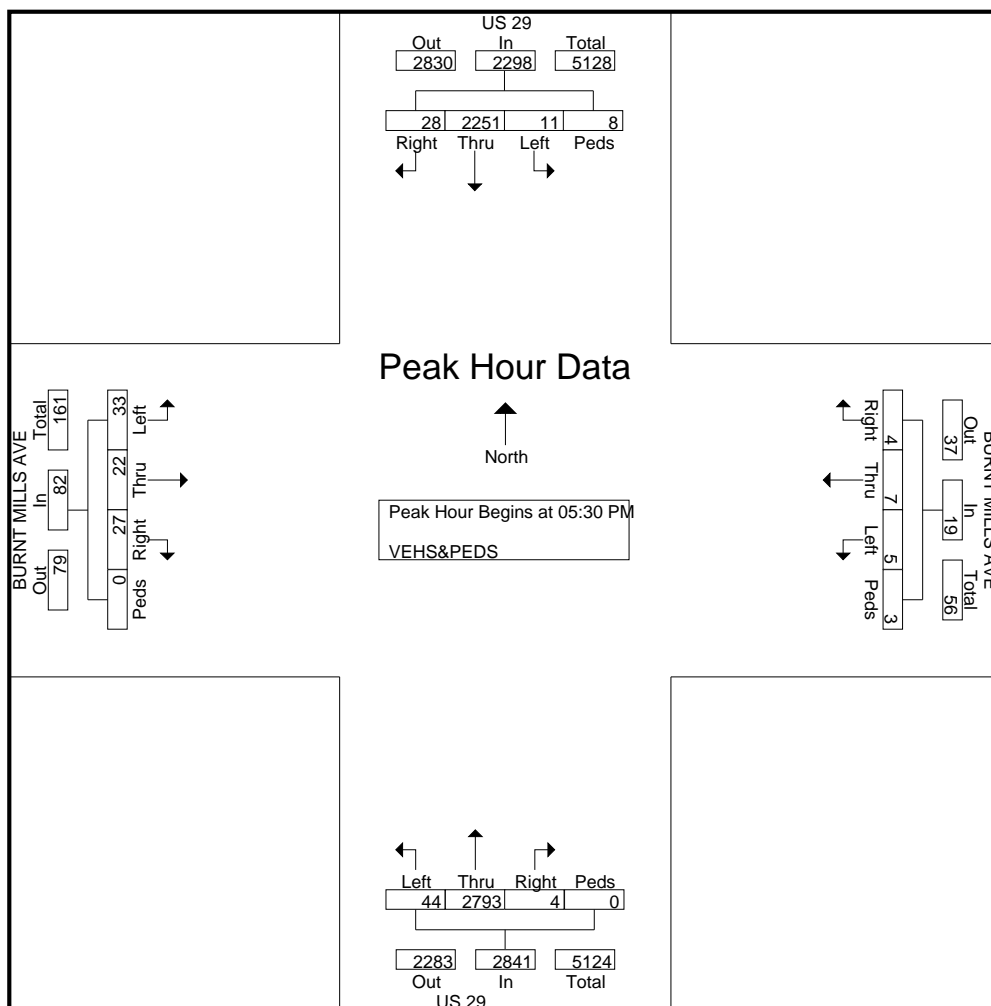
Page No : 4

Start Time	US 29 From North					BURNT MILLS AVE From East					US 29 From South					BURNT MILLS AVE From West					Int. Total
	Right	Thru	Left	Peds	App. Total	Right	Thru	Left	Peds	App. Total	Right	Thru	Left	Peds	App. Total	Right	Thru	Left	Peds	App. Total	

Peak Hour Analysis From 12:00 PM to 06:45 PM - Peak 1 of 1

Peak Hour for Entire Intersection Begins at 05:30 PM

05:30 PM	3	<b>587</b>	4	2	<b>596</b>	1	<b>2</b>	2	0	<b>5</b>	3	<b>733</b>	13	0	<b>749</b>	5	2	5	0	12	<b>1362</b>
05:45 PM	7	566	0	2	575	1	2	1	0	4	0	650	10	0	660	5	6	5	0	16	1255
06:00 PM	4	533	<b>6</b>	<b>3</b>	546	<b>2</b>	2	0	1	5	0	707	8	0	715	8	<b>10</b>	10	0	<b>28</b>	1294
06:15 PM	<b>14</b>	565	1	1	581	0	1	2	<b>2</b>	5	1	703	13	0	717	<b>9</b>	4	<b>13</b>	0	26	1329
Total Volume	28	2251	11	8	2298	4	7	5	3	19	4	2793	44	0	2841	27	22	33	0	82	5240
% App. Total	1.2	98	0.5	0.3		21.1	36.8	26.3	15.8		0.1	98.3	1.5	0		32.9	26.8	40.2	0		
PHF	.500	.959	.458	.667	.964	.500	.875	.625	.375	.950	.333	.953	.846	.000	.948	.750	.550	.635	.000	.732	.962



# Sabra, Wang & Assoc, Inc

7055 Samuel Morse Dr, Suite 100  
Columbia, MD 21046  
443-741-3500

Weather: SUNNY  
Counted By: GARY & MARCIE  
Town: SILVER SPRING  
County MONTGOMERY

File Name : US 29 at Burnt Mills Ave  
Site Code : 00000000  
Start Date : 10/20/2015  
Page No : 1

Groups Printed- UTRNS

Start Time	US 29 From North					BURNT MILLS AVE From East					US 29 From South					BURNT MILLS AVE From West					Int. Total
	Right	Thru	Left	Peds	App. Total	Right	Thru	Left	Peds	App. Total	Right	Thru	Left	Peds	App. Total	Right	Thru	Left	Peds	App. Total	
**BREAK**																					
07:00 AM	0	0	1	0	1	0	0	0	0	0	0	0	0	0	0	0	0	0	0	0	1
07:15 AM	0	0	1	0	1	0	0	0	0	0	0	0	1	0	1	0	0	0	0	0	2
**BREAK**																					
Total	0	0	2	0	2	0	0	0	0	0	0	0	1	0	1	0	0	0	0	0	3
08:00 AM	0	0	0	0	0	0	0	0	0	0	0	0	1	0	1	0	0	0	0	0	1
**BREAK**																					
Total	0	0	0	0	0	0	0	0	0	0	0	0	1	0	1	0	0	0	0	0	1
**BREAK**																					
09:15 AM	0	0	1	0	1	0	0	0	0	0	0	0	0	0	0	0	0	0	0	0	1
09:30 AM	0	0	1	0	1	0	0	0	0	0	0	0	0	0	0	0	0	0	0	0	1
09:45 AM	0	0	0	0	0	0	0	0	0	0	0	0	3	0	3	0	0	0	0	0	3
Total	0	0	2	0	2	0	0	0	0	0	0	0	3	0	3	0	0	0	0	0	5
**BREAK**																					
04:00 PM	0	0	2	0	2	0	0	0	0	0	0	0	1	0	1	0	0	0	0	0	3
**BREAK**																					
04:30 PM	0	0	0	0	0	0	0	0	0	0	0	0	1	0	1	0	0	0	0	0	1
04:45 PM	0	0	1	0	1	0	0	0	0	0	0	0	0	0	0	0	0	0	0	0	1
Total	0	0	3	0	3	0	0	0	0	0	0	0	2	0	2	0	0	0	0	0	5
05:00 PM	0	0	0	0	0	0	0	0	0	0	0	0	2	0	2	0	0	0	0	0	2
**BREAK**																					
05:30 PM	0	1	0	0	1	0	0	0	0	0	0	0	1	0	1	0	0	0	0	0	2
05:45 PM	0	0	1	0	1	0	0	0	0	0	0	0	0	0	0	0	0	0	0	0	1
Total	0	1	1	0	2	0	0	0	0	0	0	0	3	0	3	0	0	0	0	0	5
06:00 PM	0	0	1	0	1	0	0	0	0	0	0	0	1	0	1	0	0	0	0	0	2
06:15 PM	0	0	0	0	0	0	0	0	0	0	0	0	1	0	1	0	0	0	0	0	1
06:30 PM	0	0	1	0	1	0	0	0	0	0	0	0	0	0	0	0	0	0	0	0	1
**BREAK**																					
Total	0	0	2	0	2	0	0	0	0	0	0	0	2	0	2	0	0	0	0	0	4
Grand Total	0	1	10	0	11	0	0	0	0	0	0	0	12	0	12	0	0	0	0	0	23
Apprch %	0	9.1	90.9	0		0	0	0	0		0	0	100	0		0	0	0	0		
Total %	0	4.3	43.5	0	47.8	0	0	0	0		0	0	52.2	0	52.2	0	0	0	0		

# Sabra, Wang & Assoc, Inc

7055 Samuel Morse Dr, Suite 100  
Columbia, MD 21046

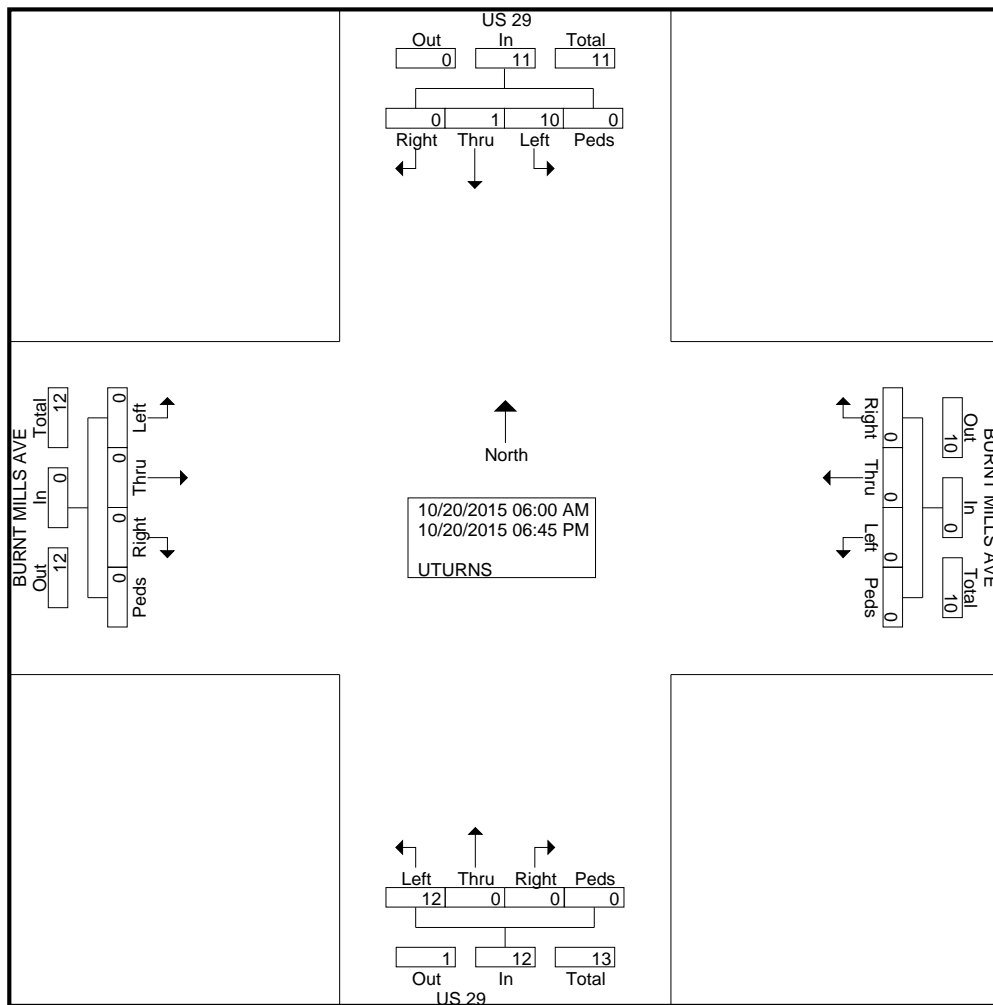
443-741-3500

File Name : US 29 at Burnt Mills Ave

Site Code : 00000000

Start Date : 10/20/2015

Page No : 2

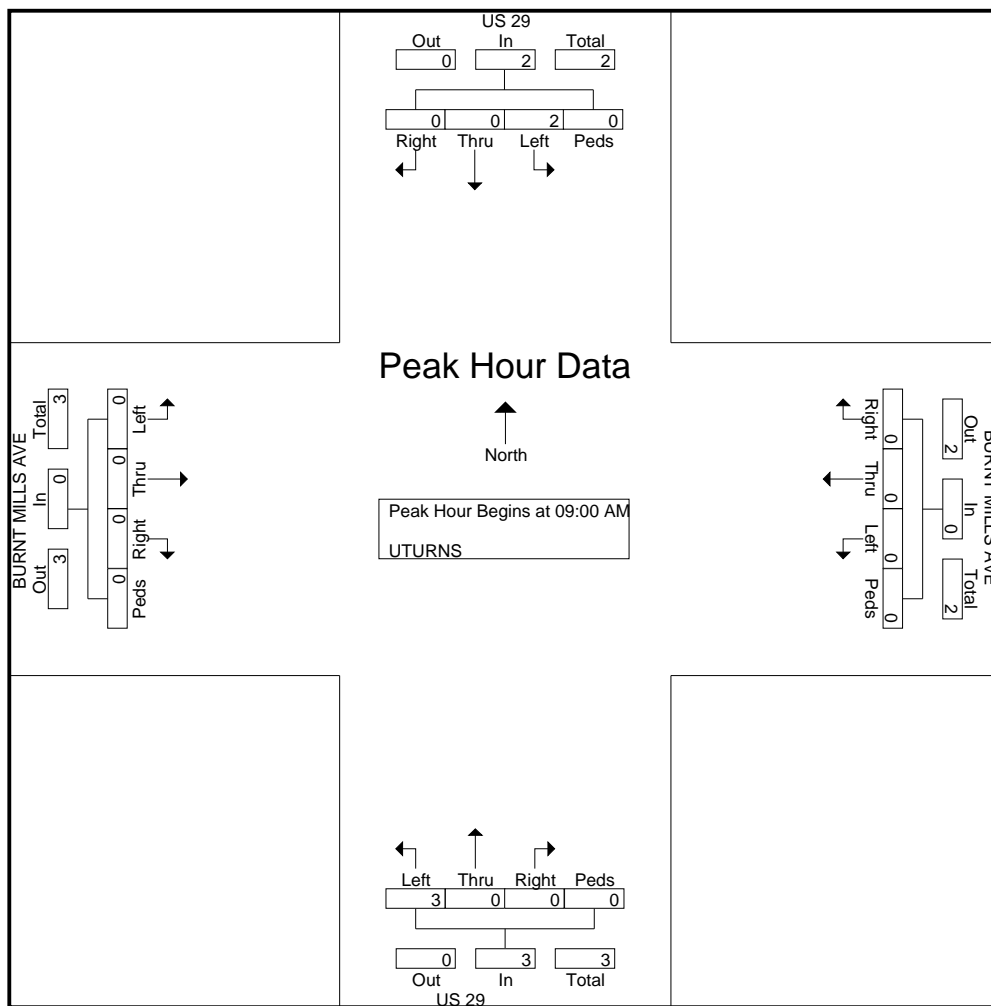


# Sabra, Wang & Assoc, Inc

7055 Samuel Morse Dr, Suite 100  
Columbia, MD 21046  
443-741-3500

File Name : US 29 at Burnt Mills Ave  
Site Code : 00000000  
Start Date : 10/20/2015  
Page No : 3

Start Time	US 29 From North					BURNT MILLS AVE From East					US 29 From South					BURNT MILLS AVE From West					Int. Total
	Right	Thru	Left	Peds	App. Total	Right	Thru	Left	Peds	App. Total	Right	Thru	Left	Peds	App. Total	Right	Thru	Left	Peds	App. Total	
Peak Hour Analysis From 06:00 AM to 11:45 AM - Peak 1 of 1																					
Peak Hour for Entire Intersection Begins at 09:00 AM																					
09:00 AM	0	0	0	0	0	0	0	0	0	0	0	0	0	0	0	0	0	0	0	0	0
09:15 AM	0	0	1	0	1	0	0	0	0	0	0	0	0	0	0	0	0	0	0	0	1
09:30 AM	0	0	1	0	1	0	0	0	0	0	0	0	0	0	0	0	0	0	0	0	1
09:45 AM	0	0	0	0	0	0	0	0	0	0	0	0	3	0	3	0	0	0	0	0	3
Total Volume	0	0	2	0	2	0	0	0	0	0	0	0	3	0	3	0	0	0	0	0	5
% App. Total	0	0	100	0		0	0	0	0		0	0	100	0		0	0	0	0		
PHF	.000	.000	.500	.000	.500	.000	.000	.000	.000	.000	.000	.000	.250	.000	.250	.000	.000	.000	.000	.000	.417



# Sabra, Wang & Assoc, Inc

7055 Samuel Morse Dr, Suite 100  
Columbia, MD 21046

443-741-3500

File Name : US 29 at Burnt Mills Ave

Site Code : 00000000

Start Date : 10/20/2015

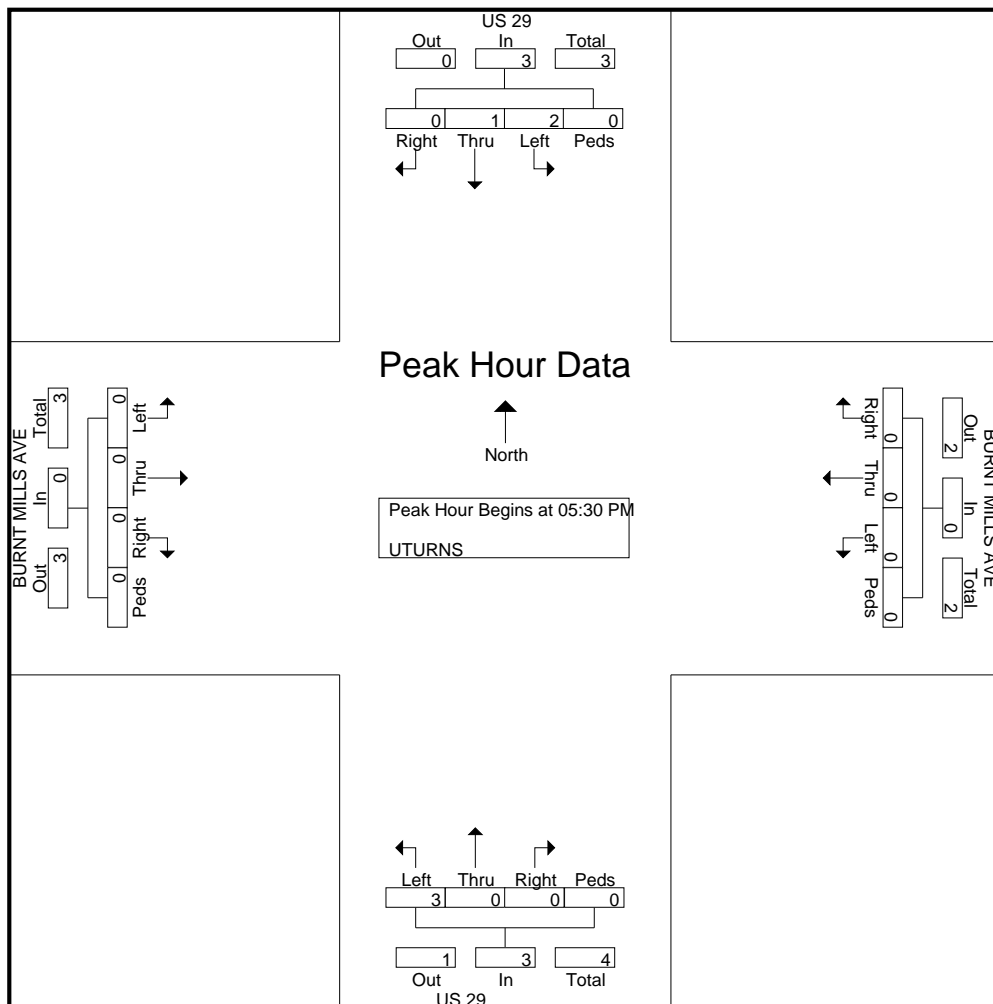
Page No : 4

Start Time	US 29 From North					BURNT MILLS AVE From East					US 29 From South					BURNT MILLS AVE From West					Int. Total
	Right	Thru	Left	Peds	App. Total	Right	Thru	Left	Peds	App. Total	Right	Thru	Left	Peds	App. Total	Right	Thru	Left	Peds	App. Total	

Peak Hour Analysis From 12:00 PM to 06:45 PM - Peak 1 of 1

Peak Hour for Entire Intersection Begins at 05:30 PM

05:30 PM	0	1	0	0	1	0	0	0	0	0	0	0	1	0	1	0	0	0	0	0	0	2
05:45 PM	0	0	1	0	1	0	0	0	0	0	0	0	0	0	0	0	0	0	0	0	0	1
06:00 PM	0	0	1	0	1	0	0	0	0	0	0	0	1	0	1	0	0	0	0	0	0	2
06:15 PM	0	0	0	0	0	0	0	0	0	0	0	0	1	0	1	0	0	0	0	0	0	1
Total Volume	0	1	2	0	3	0	0	0	0	0	0	0	3	0	3	0	0	0	0	0	0	6
% App. Total	0	33.3	66.7	0		0	0	0	0		0	0	100	0		0	0	0	0			
PHF	.000	.250	.500	.000	.750	.000	.000	.000	.000	.000	.000	.000	.750	.000	.750	.000	.000	.000	.000	.000	.000	.750



# Sabra, Wang & Assoc, Inc

7055 Samuel Morse Dr, Suite 100  
Columbia, MD 21046  
443-741-3500

Weather: SUNNY  
Counted By: GARY & MARCIE  
Town: SILVER SPRING  
County MONTGOMERY

File Name : US 29 at Burnt Mills Ave  
Site Code : 00000000  
Start Date : 10/20/2015  
Page No : 1

Groups Printed- BICYCLES

Start Time	US 29 From North					BURNT MILLS AVE From East					US 29 From South					BURNT MILLS AVE From West					Int. Total
	Right	Thru	Left	Peds	App. Total	Right	Thru	Left	Peds	App. Total	Right	Thru	Left	Peds	App. Total	Right	Thru	Left	Peds	App. Total	
**BREAK**																					
06:15 AM	0	0	0	0	0	0	0	0	0	0	0	0	0	0	0	0	1	0	0	1	1
**BREAK**																					
Total	0	0	0	0	0	0	0	0	0	0	0	0	0	0	0	0	1	0	0	1	1
**BREAK**																					
07:15 AM	0	1	0	0	1	0	0	0	0	0	0	0	0	0	0	0	0	0	0	0	1
**BREAK**																					
Total	0	1	0	0	1	0	0	0	0	0	0	0	0	0	0	0	0	0	0	0	1
**BREAK**																					
04:00 PM	0	0	0	0	0	0	1	0	0	1	0	0	0	0	0	0	0	0	0	0	1
**BREAK**																					
Total	0	0	0	0	0	0	1	0	0	1	0	0	0	0	0	0	0	0	0	0	1
**BREAK**																					
05:45 PM	0	0	0	0	0	0	0	0	0	0	0	1	0	0	1	0	0	0	0	0	1
Total	0	0	0	0	0	0	0	0	0	0	0	1	0	0	1	0	0	0	0	0	1
**BREAK**																					
06:15 PM	0	0	0	0	0	0	0	0	0	0	0	1	0	0	1	0	0	0	0	0	1
06:30 PM	0	1	0	0	1	0	0	0	0	0	0	0	0	0	0	0	0	0	0	0	1
**BREAK**																					
Total	0	1	0	0	1	0	0	0	0	0	0	1	0	0	1	0	0	0	0	0	2
Grand Total	0	2	0	0	2	0	1	0	0	1	0	2	0	0	2	0	1	0	0	1	6
Apprch %	0	100	0	0		0	100	0	0		0	100	0	0		0	100	0	0		
Total %	0	33.3	0	0	33.3	0	16.7	0	0	16.7	0	33.3	0	0	33.3	0	16.7	0	0	16.7	



# Sabra, Wang & Assoc, Inc

7055 Samuel Morse Dr, Suite 100  
Columbia, MD 21046

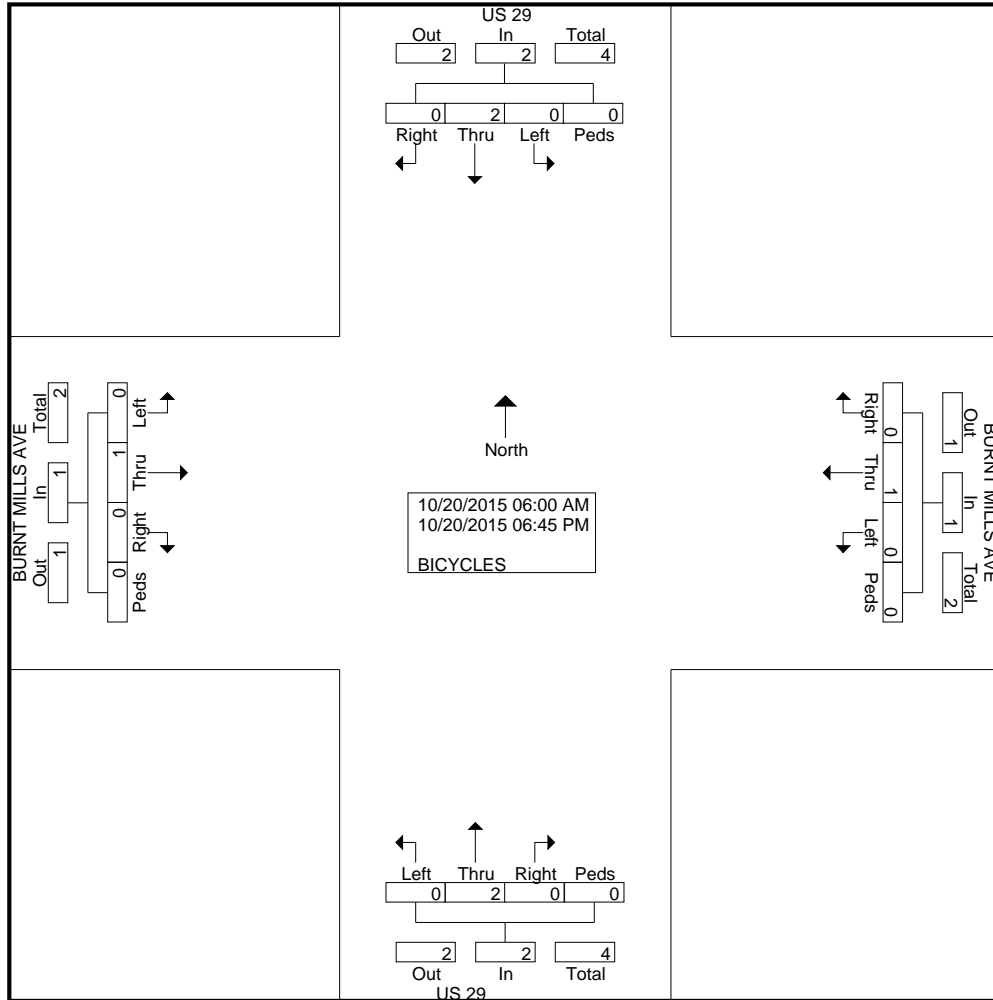
443-741-3500

File Name : US 29 at Burnt Mills Ave

Site Code : 00000000

Start Date : 10/20/2015

Page No : 2



# Sabra, Wang & Assoc, Inc

7055 Samuel Morse Dr, Suite 100  
Columbia, MD 21046

443-741-3500

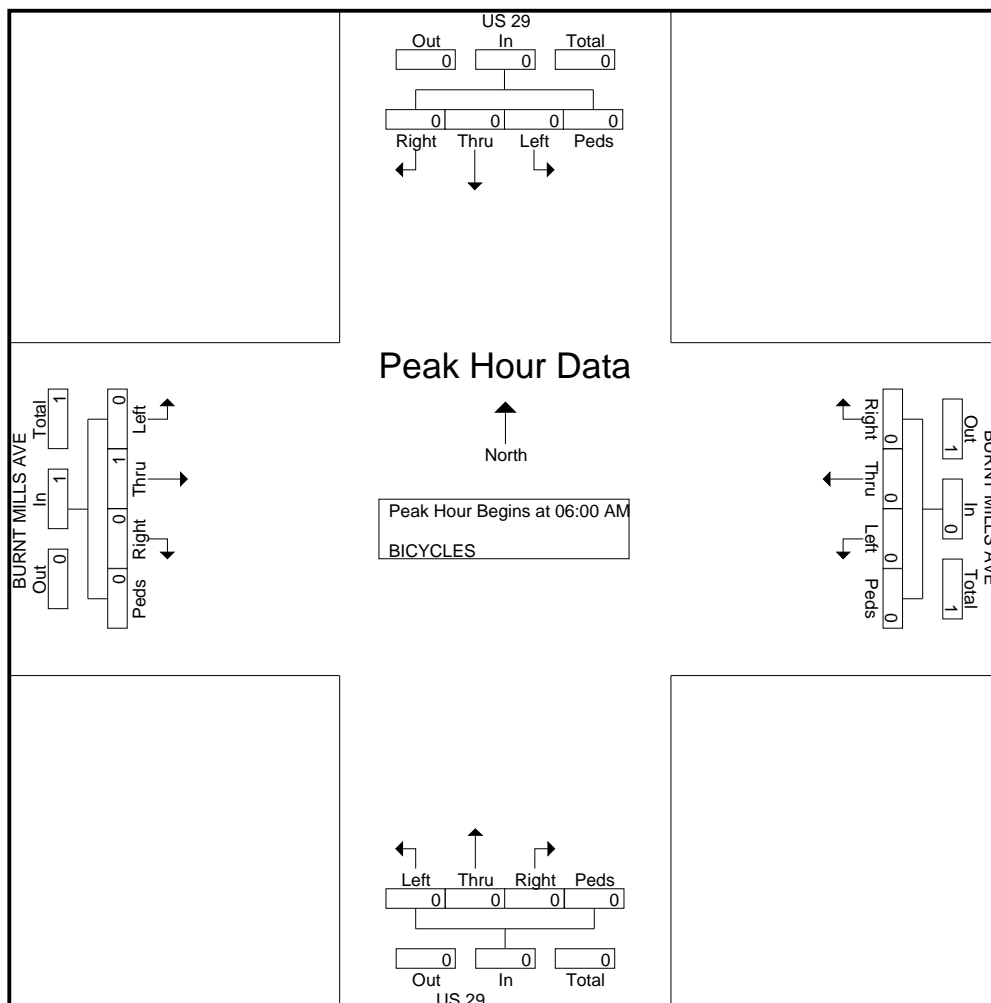
File Name : US 29 at Burnt Mills Ave

Site Code : 00000000

Start Date : 10/20/2015

Page No : 3

Start Time	US 29 From North					BURNT MILLS AVE From East					US 29 From South					BURNT MILLS AVE From West					Int. Total	
	Right	Thru	Left	Peds	App. Total	Right	Thru	Left	Peds	App. Total	Right	Thru	Left	Peds	App. Total	Right	Thru	Left	Peds	App. Total		
Peak Hour Analysis From 06:00 AM to 11:45 AM - Peak 1 of 1																						
Peak Hour for Entire Intersection Begins at 06:00 AM																						
06:00 AM	0	0	0	0	0	0	0	0	0	0	0	0	0	0	0	0	0	0	0	0	0	0
06:15 AM	0	0	0	0	0	0	0	0	0	0	0	0	0	0	0	0	1	0	0	1	1	1
06:30 AM	0	0	0	0	0	0	0	0	0	0	0	0	0	0	0	0	0	0	0	0	0	0
06:45 AM	0	0	0	0	0	0	0	0	0	0	0	0	0	0	0	0	0	0	0	0	0	0
Total Volume	0	0	0	0	0	0	0	0	0	0	0	0	0	0	0	0	1	0	0	1	1	1
% App. Total	0	0	0	0	0	0	0	0	0	0	0	0	0	0	0	0	100	0	0	0	0	0
PHF	.000	.000	.000	.000	.000	.000	.000	.000	.000	.000	.000	.000	.000	.000	.000	.000	.250	.000	.000	.250	.250	.250



# Sabra, Wang & Assoc, Inc

7055 Samuel Morse Dr, Suite 100  
Columbia, MD 21046

443-741-3500

File Name : US 29 at Burnt Mills Ave

Site Code : 00000000

Start Date : 10/20/2015

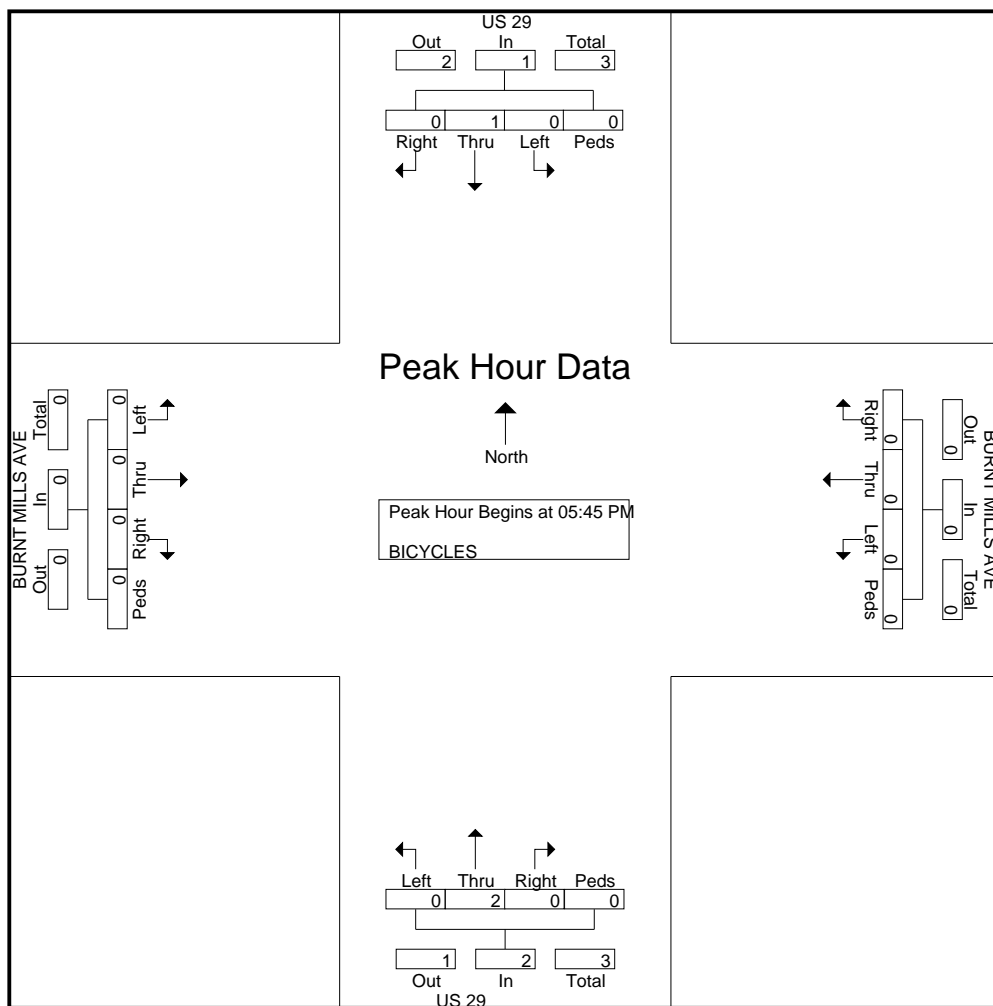
Page No : 4

Start Time	US 29 From North					BURNT MILLS AVE From East					US 29 From South					BURNT MILLS AVE From West					Int. Total
	Right	Thru	Left	Peds	App. Total	Right	Thru	Left	Peds	App. Total	Right	Thru	Left	Peds	App. Total	Right	Thru	Left	Peds	App. Total	

Peak Hour Analysis From 12:00 PM to 06:45 PM - Peak 1 of 1

Peak Hour for Entire Intersection Begins at 05:45 PM

05:45 PM	0	0	0	0	0	0	0	0	0	0	0	1	0	0	1	0	0	0	0	0	0	1
06:00 PM	0	0	0	0	0	0	0	0	0	0	0	0	0	0	0	0	0	0	0	0	0	0
06:15 PM	0	0	0	0	0	0	0	0	0	0	0	1	0	0	1	0	0	0	0	0	0	1
06:30 PM	0	1	0	0	1	0	0	0	0	0	0	0	0	0	0	0	0	0	0	0	0	1
Total Volume	0	1	0	0	1	0	0	0	0	0	0	2	0	0	2	0	0	0	0	0	0	3
% App. Total	0	100	0	0		0	0	0	0		0	100	0	0		0	0	0	0		0	
PHF	.000	.250	.000	.000	.250	.000	.000	.000	.000	.000	.000	.500	.000	.000	.500	.000	.000	.000	.000	.000	.000	.750



# Sabra, Wang & Assoc, Inc

7055 Samuel Morse Dr, Suite 100  
Columbia, MD 21046  
*443-741-3500*

Weather: SUNNY  
Counted By: GARY & MARCIE  
Town: SILVER SPRING  
County MONTGOMERY

File Name : US 29 at Burnt Mills Ave  
Site Code : 00000000  
Start Date : 10/20/2015  
Page No : 1

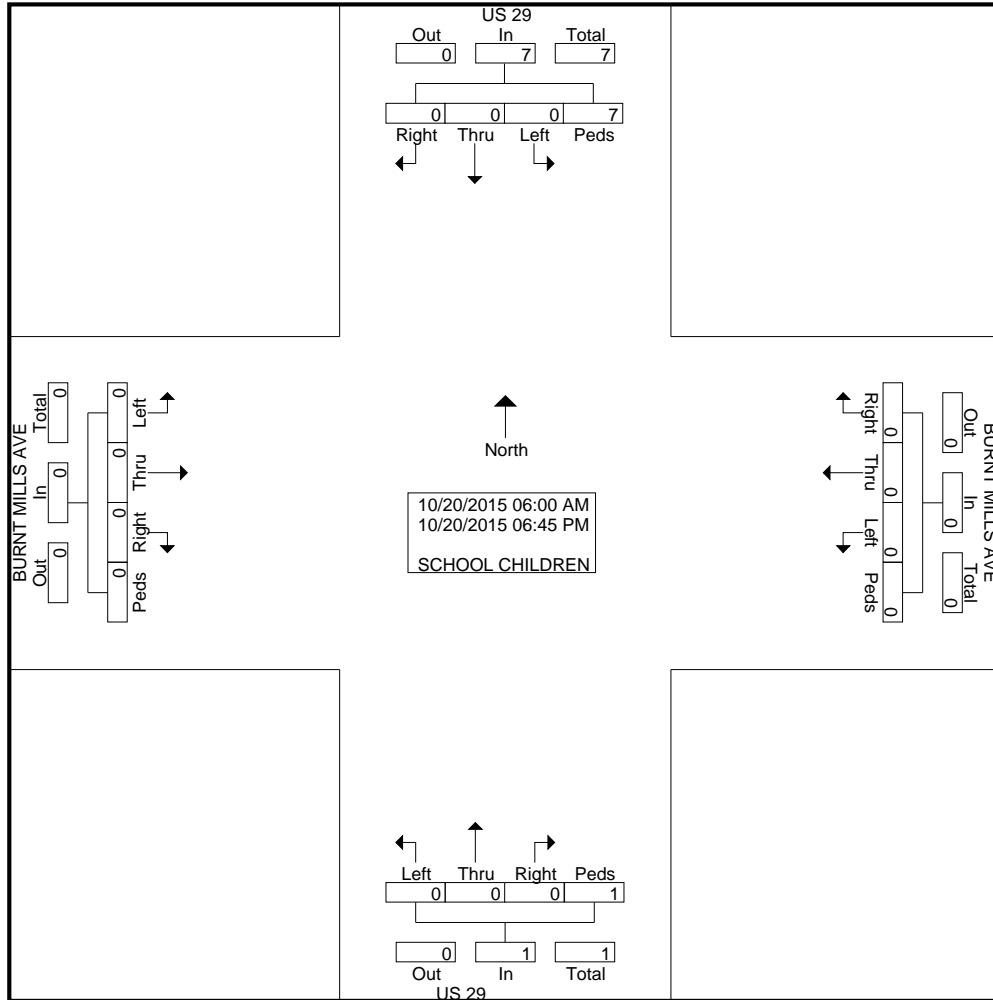
Groups Printed- SCHOOL CHILDREN

Start Time	US 29 From North					BURNT MILLS AVE From East					US 29 From South					BURNT MILLS AVE From West					Int. Total
	Right	Thru	Left	Peds	App. Total	Right	Thru	Left	Peds	App. Total	Right	Thru	Left	Peds	App. Total	Right	Thru	Left	Peds	App. Total	
**BREAK**																					
07:15 AM	0	0	0	1	1	0	0	0	0	0	0	0	0	0	0	0	0	0	0	0	1
**BREAK**																					
Total	0	0	0	1	1	0	0	0	0	0	0	0	0	0	0	0	0	0	0	0	1
08:00 AM	0	0	0	0	0	0	0	0	0	0	0	0	0	1	1	0	0	0	0	0	1
**BREAK**																					
Total	0	0	0	0	0	0	0	0	0	0	0	0	0	1	1	0	0	0	0	0	1
**BREAK**																					
06:00 PM	0	0	0	6	6	0	0	0	0	0	0	0	0	0	0	0	0	0	0	0	6
**BREAK**																					
Total	0	0	0	6	6	0	0	0	0	0	0	0	0	0	0	0	0	0	0	0	6
Grand Total	0	0	0	7	7	0	0	0	0	0	0	0	0	1	1	0	0	0	0	0	8
Apprch %	0	0	0	100		0	0	0	0		0	0	0	100		0	0	0	0		
Total %	0	0	0	87.5	87.5	0	0	0	0	0	0	0	0	12.5	12.5	0	0	0	0	0	

# Sabra, Wang & Assoc, Inc

7055 Samuel Morse Dr, Suite 100  
 Columbia, MD 21046  
 443-741-3500

File Name : US 29 at Burnt Mills Ave  
 Site Code : 00000000  
 Start Date : 10/20/2015  
 Page No : 2

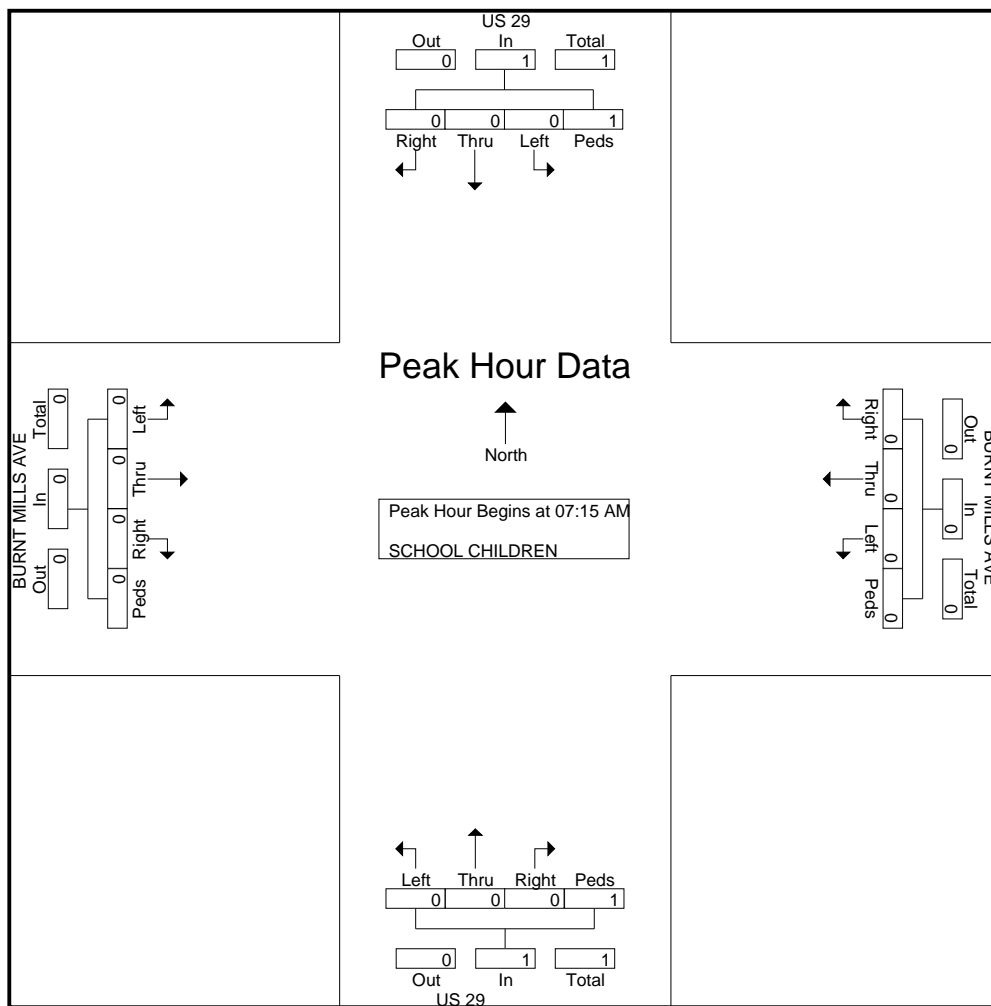


# Sabra, Wang & Assoc, Inc

7055 Samuel Morse Dr, Suite 100  
Columbia, MD 21046  
443-741-3500

File Name : US 29 at Burnt Mills Ave  
Site Code : 00000000  
Start Date : 10/20/2015  
Page No : 3

Start Time	US 29 From North					BURNT MILLS AVE From East					US 29 From South					BURNT MILLS AVE From West					Int. Total	
	Right	Thru	Left	Peds	App. Total	Right	Thru	Left	Peds	App. Total	Right	Thru	Left	Peds	App. Total	Right	Thru	Left	Peds	App. Total		
Peak Hour Analysis From 06:00 AM to 11:45 AM - Peak 1 of 1																						
Peak Hour for Entire Intersection Begins at 07:15 AM																						
07:15 AM	0	0	0	1	1	0	0	0	0	0	0	0	0	0	0	0	0	0	0	0	0	1
07:30 AM	0	0	0	0	0	0	0	0	0	0	0	0	0	0	0	0	0	0	0	0	0	0
07:45 AM	0	0	0	0	0	0	0	0	0	0	0	0	0	0	0	0	0	0	0	0	0	0
08:00 AM	0	0	0	0	0	0	0	0	0	0	0	0	0	1	1	0	0	0	0	0	0	1
Total Volume	0	0	0	1	1	0	0	0	0	0	0	0	0	1	1	0	0	0	0	0	0	2
% App. Total	0	0	0	100		0	0	0	0		0	0	0	100		0	0	0	0			
PHF	.000	.000	.000	.250	.250	.000	.000	.000	.000	.000	.000	.000	.000	.250	.250	.000	.000	.000	.000	.000	.000	.500



# Sabra, Wang & Assoc, Inc

7055 Samuel Morse Dr, Suite 100  
Columbia, MD 21046

443-741-3500

File Name : US 29 at Burnt Mills Ave

Site Code : 00000000

Start Date : 10/20/2015

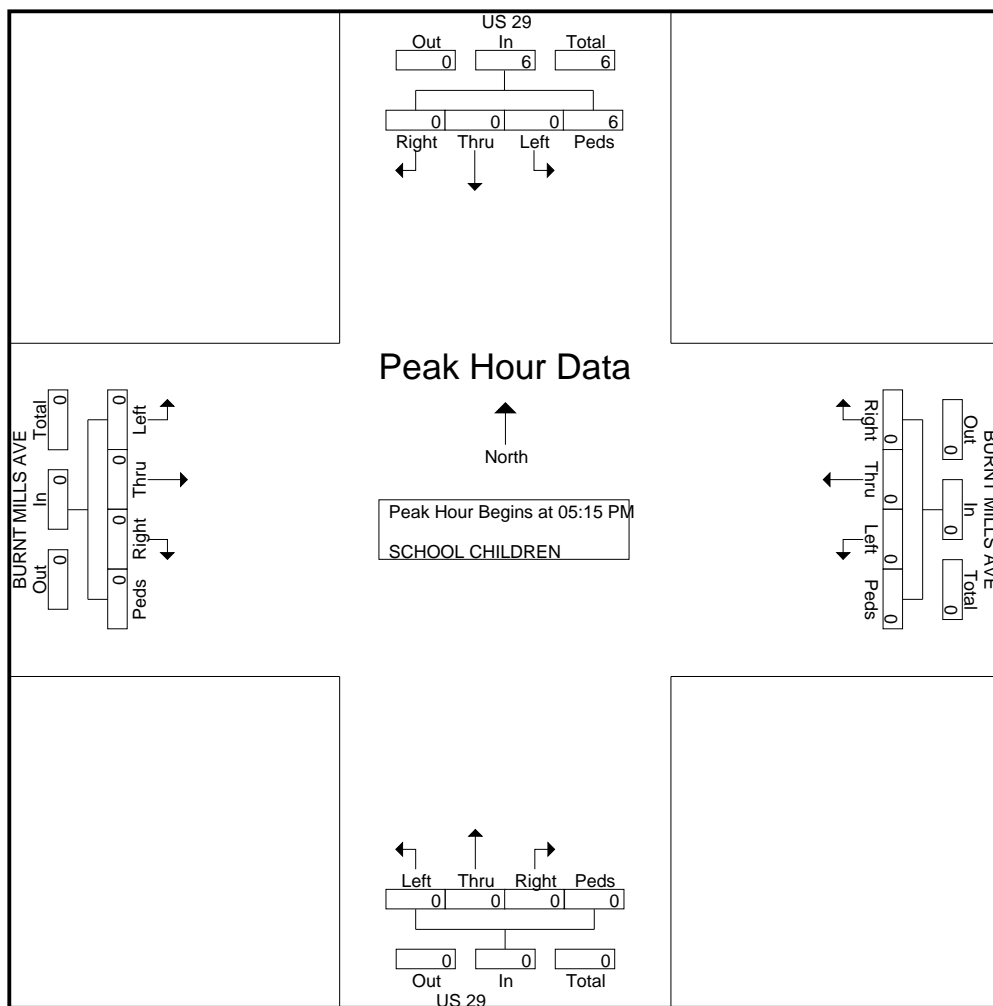
Page No : 4

Start Time	US 29 From North					BURNT MILLS AVE From East					US 29 From South					BURNT MILLS AVE From West					Int. Total
	Right	Thru	Left	Peds	App. Total	Right	Thru	Left	Peds	App. Total	Right	Thru	Left	Peds	App. Total	Right	Thru	Left	Peds	App. Total	

Peak Hour Analysis From 12:00 PM to 06:45 PM - Peak 1 of 1

Peak Hour for Entire Intersection Begins at 05:15 PM

05:15 PM	0	0	0	0	0	0	0	0	0	0	0	0	0	0	0	0	0	0	0	0	0
05:30 PM	0	0	0	0	0	0	0	0	0	0	0	0	0	0	0	0	0	0	0	0	0
05:45 PM	0	0	0	0	0	0	0	0	0	0	0	0	0	0	0	0	0	0	0	0	0
06:00 PM	0	0	0	6	6	0	0	0	0	0	0	0	0	0	0	0	0	0	0	0	6
Total Volume	0	0	0	6	6	0	0	0	0	0	0	0	0	0	0	0	0	0	0	0	6
% App. Total	0	0	0	100		0	0	0	0		0	0	0	0		0	0	0	0		
PHF	.000	.000	.000	.250	.250	.000	.000	.000	.000	.000	.000	.000	.000	.000	.000	.000	.000	.000	.000	.000	.250



# Sabra, Wang & Assoc, Inc

7055 Samuel Morse Dr, Suite 100  
Columbia, MD 21046  
443-741-3500

Weather: SUNNY  
Counted By: MIKE & HORACE  
Town: SILVER SPRING  
County: MONTGOMERY

File Name : US 29 at Industrial Pkwy  
Site Code : 00000000  
Start Date : 10/20/2015  
Page No : 1

Groups Printed- VEHS&PEDS

Start Time	US 29 From North					INDUSTRIAL PKWY From East					US 29 From South					INDUSTRIAL PKWY From West					Int. Total
	Right	Thru	Left	Peds	App. Total	Right	Thru	Left	Peds	App. Total	Right	Thru	Left	Peds	App. Total	Right	Thru	Left	Peds	App. Total	
06:00 AM	0	618	3	1	622	5	0	21	0	26	14	155	0	0	169	0	0	0	0	0	817
06:15 AM	0	720	2	0	722	5	0	34	0	39	30	181	0	0	211	0	0	0	1	1	973
06:30 AM	0	796	6	0	802	6	0	50	0	56	13	239	0	0	252	0	0	0	0	0	1110
06:45 AM	0	742	5	0	747	1	0	25	0	26	88	255	0	7	350	0	0	0	0	0	1123
Total	0	2876	16	1	2893	17	0	130	0	147	145	830	0	7	982	0	0	0	1	1	4023
07:00 AM	0	699	9	1	709	13	0	67	0	80	28	325	0	2	355	0	0	0	0	0	1144
07:15 AM	0	588	12	1	601	17	0	25	1	43	30	315	0	0	345	0	0	0	0	0	989
07:30 AM	0	476	10	1	487	9	0	41	0	50	42	343	0	0	385	0	0	0	0	0	922
07:45 AM	0	501	16	1	518	5	0	25	0	30	33	346	0	0	379	0	0	0	0	0	927
Total	0	2264	47	4	2315	44	0	158	1	203	133	1329	0	2	1464	0	0	0	0	0	3982
08:00 AM	0	497	15	0	512	9	0	25	0	34	68	437	0	0	505	0	0	0	0	0	1051
08:15 AM	0	536	26	1	563	8	0	21	0	29	83	449	0	0	532	0	0	0	0	0	1124
08:30 AM	0	528	24	0	552	14	0	44	0	58	89	379	0	0	468	0	0	0	0	0	1078
08:45 AM	0	497	25	1	523	20	0	54	0	74	83	359	0	0	442	0	0	0	0	0	1039
Total	0	2058	90	2	2150	51	0	144	0	195	323	1624	0	0	1947	0	0	0	0	0	4292
09:00 AM	0	440	28	1	469	16	0	41	0	57	69	346	0	0	415	0	0	0	0	0	941
09:15 AM	0	427	32	2	461	21	0	28	0	49	113	368	0	0	481	0	0	0	0	0	991
09:30 AM	0	465	26	0	491	14	0	54	0	68	73	336	0	1	410	0	0	0	0	0	969
09:45 AM	0	464	26	1	491	22	0	40	0	62	65	306	0	0	371	0	0	0	2	2	926
Total	0	1796	112	4	1912	73	0	163	0	236	320	1356	0	1	1677	0	0	0	2	2	3827
**BREAK**																					
04:00 PM	0	433	17	0	450	26	0	91	0	117	93	660	0	1	754	0	0	0	0	0	1321
04:15 PM	0	462	12	1	475	17	0	64	0	81	101	654	0	3	758	0	0	0	0	0	1314
04:30 PM	0	441	21	1	463	28	0	80	0	108	90	667	0	1	758	0	0	0	0	0	1329
04:45 PM	0	504	16	0	520	21	0	59	0	80	64	644	0	2	710	0	0	0	0	0	1310
Total	0	1840	66	2	1908	92	0	294	0	386	348	2625	0	7	2980	0	0	0	0	0	5274
05:00 PM	0	524	21	0	545	34	0	64	0	98	73	677	0	1	751	0	0	0	0	0	1394
05:15 PM	0	539	19	2	560	22	0	73	0	95	83	654	0	1	738	0	0	0	0	0	1393
05:30 PM	0	557	14	1	572	35	0	66	0	101	86	670	0	0	756	0	0	0	0	0	1429



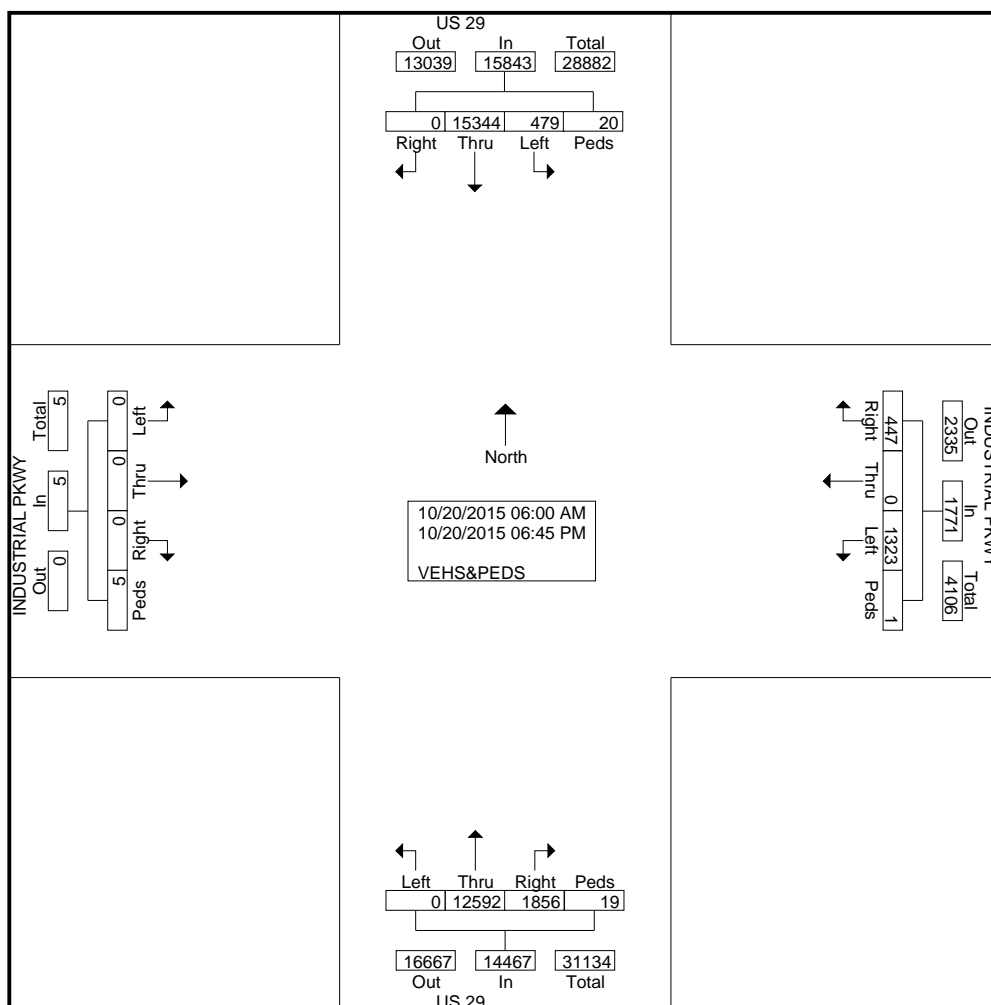
# Sabra, Wang & Assoc, Inc

7055 Samuel Morse Dr, Suite 100  
Columbia, MD 21046  
443-741-3500

File Name : US 29 at Industrial Pkwy  
Site Code : 00000000  
Start Date : 10/20/2015  
Page No : 2

## Groups Printed- VEHS&PEDS

Start Time	US 29 From North					INDUSTRIAL PKWY From East					US 29 From South					INDUSTRIAL PKWY From West					Int. Total
	Right	Thru	Left	Peds	App. Total	Right	Thru	Left	Peds	App. Total	Right	Thru	Left	Peds	App. Total	Right	Thru	Left	Peds	App. Total	
05:45 PM	0	563	14	0	577	12	0	61	0	73	75	658	0	0	733	0	0	0	0	0	1383
Total	0	2183	68	3	2254	103	0	264	0	367	317	2659	0	2	2978	0	0	0	0	0	5599
06:00 PM	0	570	25	0	595	20	0	65	0	85	67	599	0	0	666	0	0	0	0	0	1346
06:15 PM	0	580	23	2	605	20	0	25	0	45	88	589	0	0	677	0	0	0	0	0	1327
06:30 PM	0	616	15	0	631	22	0	53	0	75	57	452	0	0	509	0	0	0	2	2	1217
06:45 PM	0	561	17	2	580	5	0	27	0	32	58	529	0	0	587	0	0	0	0	0	1199
Total	0	2327	80	4	2411	67	0	170	0	237	270	2169	0	0	2439	0	0	0	2	2	5089
Grand Total	0	15344	479	20	15843	447	0	1323	1	1771	1856	12592	0	19	14467	0	0	0	5	5	32086
Apprch %	0	96.9	3	0.1		25.2	0	74.7	0.1		12.8	87	0	0.1		0	0	0	100		
Total %	0	47.8	1.5	0.1	49.4	1.4	0	4.1	0	5.5	5.8	39.2	0	0.1	45.1	0	0	0	0	0	



# Sabra, Wang & Assoc, Inc

7055 Samuel Morse Dr, Suite 100  
Columbia, MD 21046

443-741-3500

File Name : US 29 at Industrial Pkwy

Site Code : 00000000

Start Date : 10/20/2015

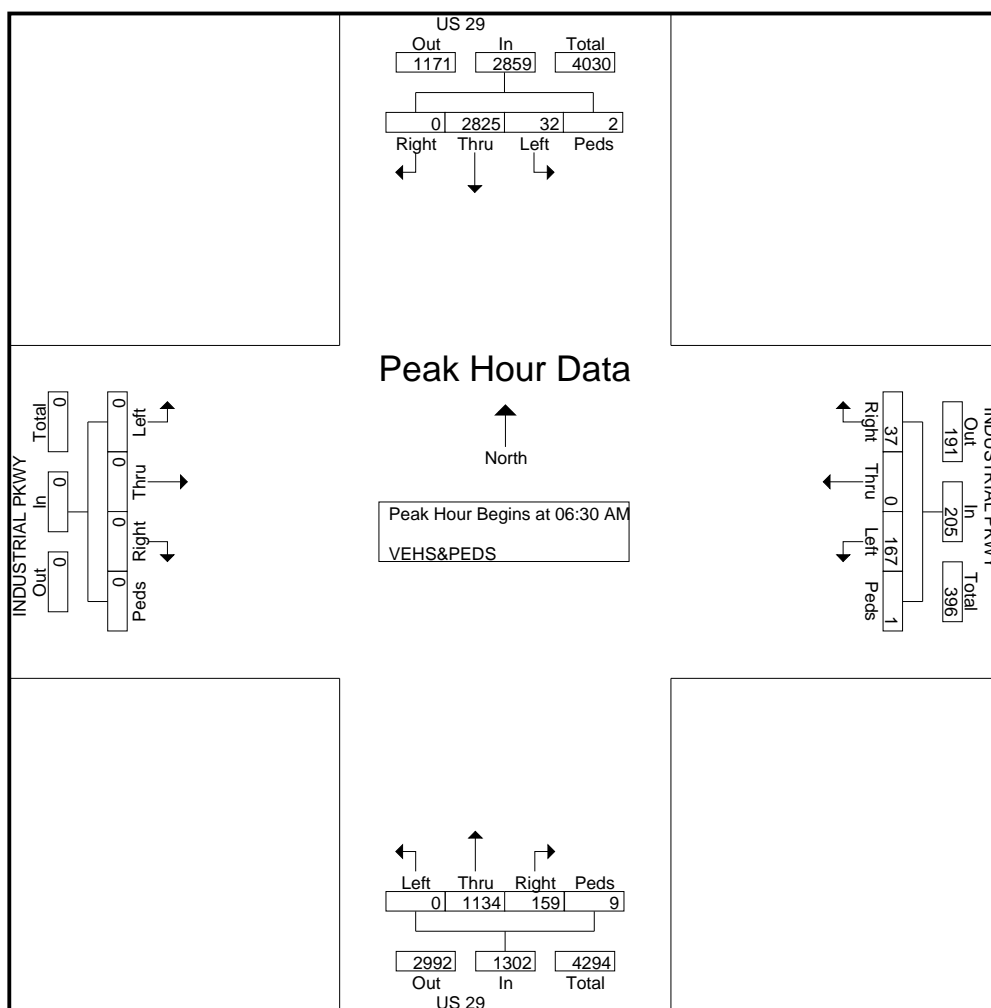
Page No : 3

Start Time	US 29 From North					INDUSTRIAL PKWY From East					US 29 From South					INDUSTRIAL PKWY From West					Int. Total
	Right	Thru	Left	Peds	App. Total	Right	Thru	Left	Peds	App. Total	Right	Thru	Left	Peds	App. Total	Right	Thru	Left	Peds	App. Total	

Peak Hour Analysis From 06:00 AM to 11:45 AM - Peak 1 of 1

Peak Hour for Entire Intersection Begins at 06:30 AM

06:30 AM	0	<b>796</b>	6	0	<b>802</b>	6	0	50	0	56	13	239	0	0	252	0	0	0	0	0	1110
06:45 AM	0	742	5	0	747	1	0	25	0	26	<b>88</b>	255	0	<b>7</b>	350	0	0	0	0	0	1123
07:00 AM	0	699	9	<b>1</b>	709	13	0	<b>67</b>	0	<b>80</b>	28	<b>325</b>	0	<b>2</b>	<b>355</b>	0	0	0	0	0	<b>1144</b>
07:15 AM	0	588	<b>12</b>	<b>1</b>	601	<b>17</b>	0	25	<b>1</b>	43	30	315	0	0	345	0	0	0	0	0	989
Total Volume	0	2825	32	2	2859	37	0	167	1	205	159	1134	0	9	1302	0	0	0	0	0	4366
% App. Total	0	98.8	1.1	0.1		18	0	81.5	0.5		12.2	87.1	0	0.7		0	0	0	0		
PHF	.000	.887	.667	.500	.891	.544	.000	.623	.250	.641	.452	.872	.000	.321	.917	.000	.000	.000	.000	.000	.954



# Sabra, Wang & Assoc, Inc

7055 Samuel Morse Dr, Suite 100  
Columbia, MD 21046

443-741-3500

File Name : US 29 at Industrial Pkwy

Site Code : 00000000

Start Date : 10/20/2015

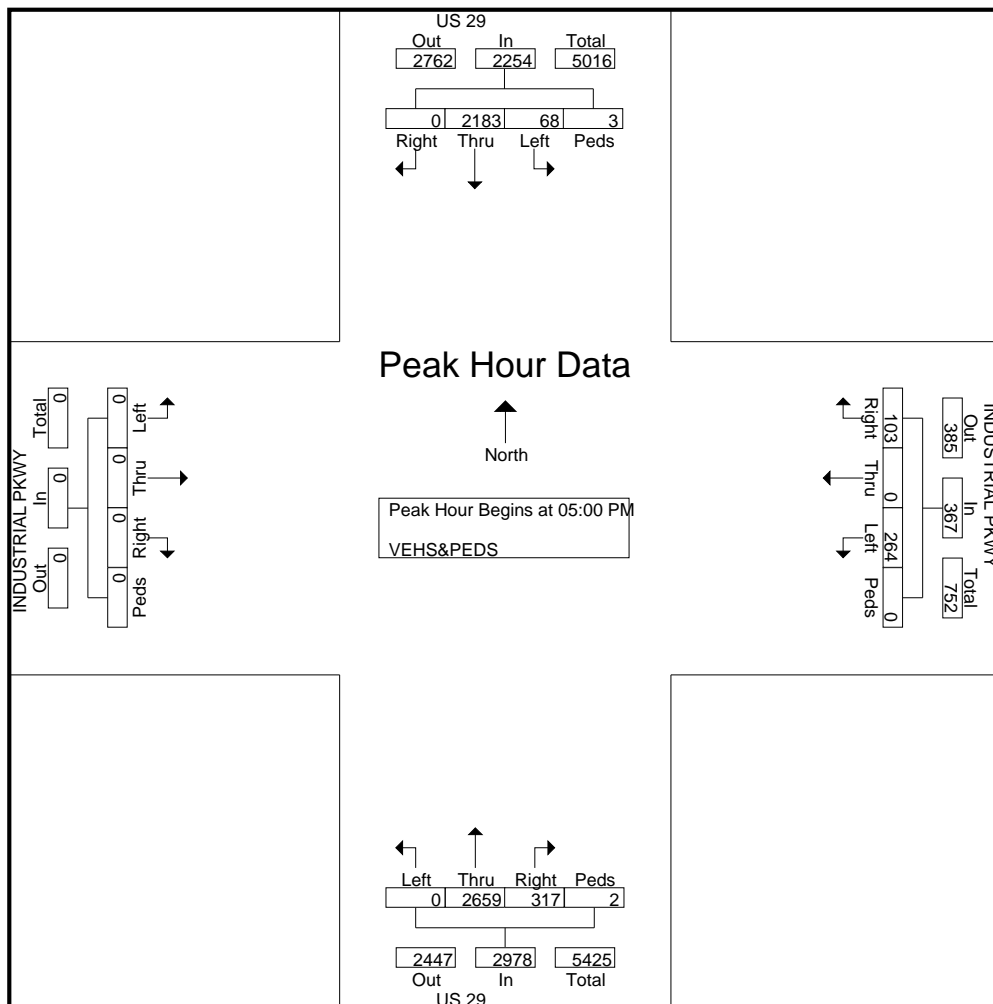
Page No : 4

Start Time	US 29 From North					INDUSTRIAL PKWY From East					US 29 From South					INDUSTRIAL PKWY From West					Int. Total
	Right	Thru	Left	Peds	App. Total	Right	Thru	Left	Peds	App. Total	Right	Thru	Left	Peds	App. Total	Right	Thru	Left	Peds	App. Total	

Peak Hour Analysis From 12:00 PM to 06:45 PM - Peak 1 of 1

Peak Hour for Entire Intersection Begins at 05:00 PM

05:00 PM	0	524	<b>21</b>	0	545	34	0	64	0	98	73	<b>677</b>	0	<b>1</b>	751	0	0	0	0	0	1394
05:15 PM	0	539	19	<b>2</b>	560	22	0	<b>73</b>	0	95	83	654	0	1	738	0	0	0	0	0	1393
05:30 PM	0	557	14	1	572	<b>35</b>	0	66	0	<b>101</b>	<b>86</b>	670	0	0	<b>756</b>	0	0	0	0	0	<b>1429</b>
05:45 PM	0	<b>563</b>	14	0	<b>577</b>	12	0	61	0	73	75	658	0	0	733	0	0	0	0	0	1383
Total Volume	0	2183	68	3	2254	103	0	264	0	367	317	2659	0	2	2978	0	0	0	0	0	5599
% App. Total	0	96.9	3	0.1		28.1	0	71.9	0		10.6	89.3	0	0.1		0	0	0	0		
PHF	.000	.969	.810	.375	.977	.736	.000	.904	.000	.908	.922	.982	.000	.500	.985	.000	.000	.000	.000	.000	.980



# Sabra, Wang & Assoc, Inc

7055 Samuel Morse Dr, Suite 100  
Columbia, MD 21046  
443-741-3500

Weather: SUNNY  
Counted By: MIKE & HORACE  
Town: SILVER SPRING  
County: MONTGOMERY

File Name : US 29 at Industrial Pkwy  
Site Code : 00000000  
Start Date : 10/20/2015  
Page No : 1

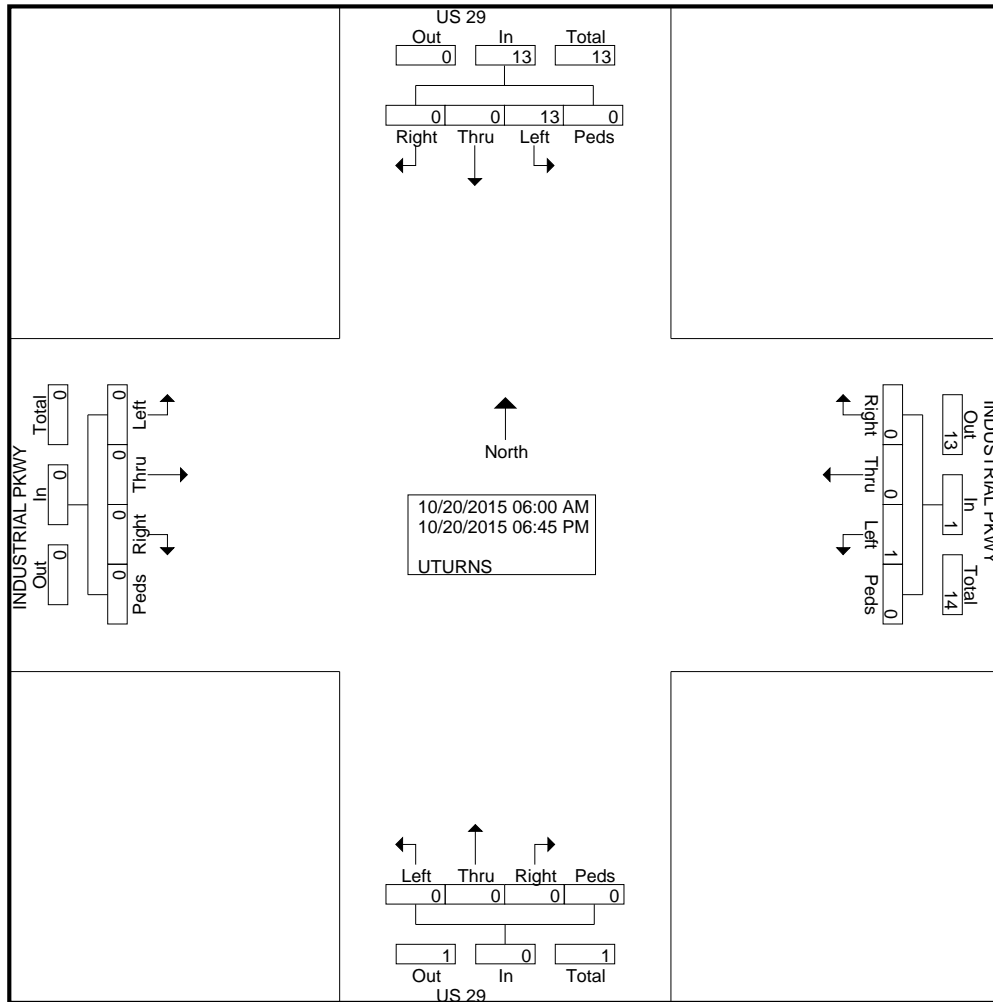
### Groups Printed- UTRNS

Start Time	US 29 From North					INDUSTRIAL PKWY From East					US 29 From South					INDUSTRIAL PKWY From West					Int. Total
	Right	Thru	Left	Peds	App. Total	Right	Thru	Left	Peds	App. Total	Right	Thru	Left	Peds	App. Total	Right	Thru	Left	Peds	App. Total	
06:00 AM	0	0	1	0	1	0	0	0	0	0	0	0	0	0	0	0	0	0	0	0	0
**BREAK**																					
Total	0	0	1	0	1	0	0	0	0	0	0	0	0	0	0	0	0	0	0	0	0
**BREAK**																					
07:30 AM	0	0	1	0	1	0	0	0	0	0	0	0	0	0	0	0	0	0	0	0	0
07:45 AM	0	0	2	0	2	0	0	0	0	0	0	0	0	0	0	0	0	0	0	0	0
Total	0	0	3	0	3	0	0	0	0	0	0	0	0	0	0	0	0	0	0	0	0
**BREAK**																					
09:00 AM	0	0	1	0	1	0	0	0	0	0	0	0	0	0	0	0	0	0	0	0	0
**BREAK**																					
Total	0	0	1	0	1	0	0	0	0	0	0	0	0	0	0	0	0	0	0	0	0
**BREAK**																					
04:00 PM	0	0	3	0	3	0	0	0	0	0	0	0	0	0	0	0	0	0	0	0	0
04:15 PM	0	0	1	0	1	0	0	0	0	0	0	0	0	0	0	0	0	0	0	0	0
04:30 PM	0	0	1	0	1	0	0	0	0	0	0	0	0	0	0	0	0	0	0	0	0
**BREAK**																					
Total	0	0	5	0	5	0	0	0	0	0	0	0	0	0	0	0	0	0	0	0	0
**BREAK**																					
05:15 PM	0	0	1	0	1	0	0	0	0	0	0	0	0	0	0	0	0	0	0	0	0
**BREAK**																					
05:45 PM	0	0	2	0	2	0	0	0	0	0	0	0	0	0	0	0	0	0	0	0	0
Total	0	0	3	0	3	0	0	0	0	0	0	0	0	0	0	0	0	0	0	0	0
**BREAK**																					
06:15 PM	0	0	0	0	0	0	0	1	0	1	0	0	0	0	0	0	0	0	0	0	0
**BREAK**																					
Total	0	0	0	0	0	0	0	1	0	1	0	0	0	0	0	0	0	0	0	0	0
Grand Total	0	0	13	0	13	0	0	1	0	1	0	0	0	0	0	0	0	0	0	0	14
Apprch %	0	0	100	0		0	0	100	0		0	0	0	0		0	0	0	0		
Total %	0	0	92.9	0	92.9	0	0	7.1	0	7.1	0	0	0	0	0	0	0	0	0	0	

# Sabra, Wang & Assoc, Inc

7055 Samuel Morse Dr, Suite 100  
 Columbia, MD 21046  
 443-741-3500

File Name : US 29 at Industrial Pkwy  
 Site Code : 00000000  
 Start Date : 10/20/2015  
 Page No : 2



# Sabra, Wang & Assoc, Inc

7055 Samuel Morse Dr, Suite 100  
Columbia, MD 21046

443-741-3500

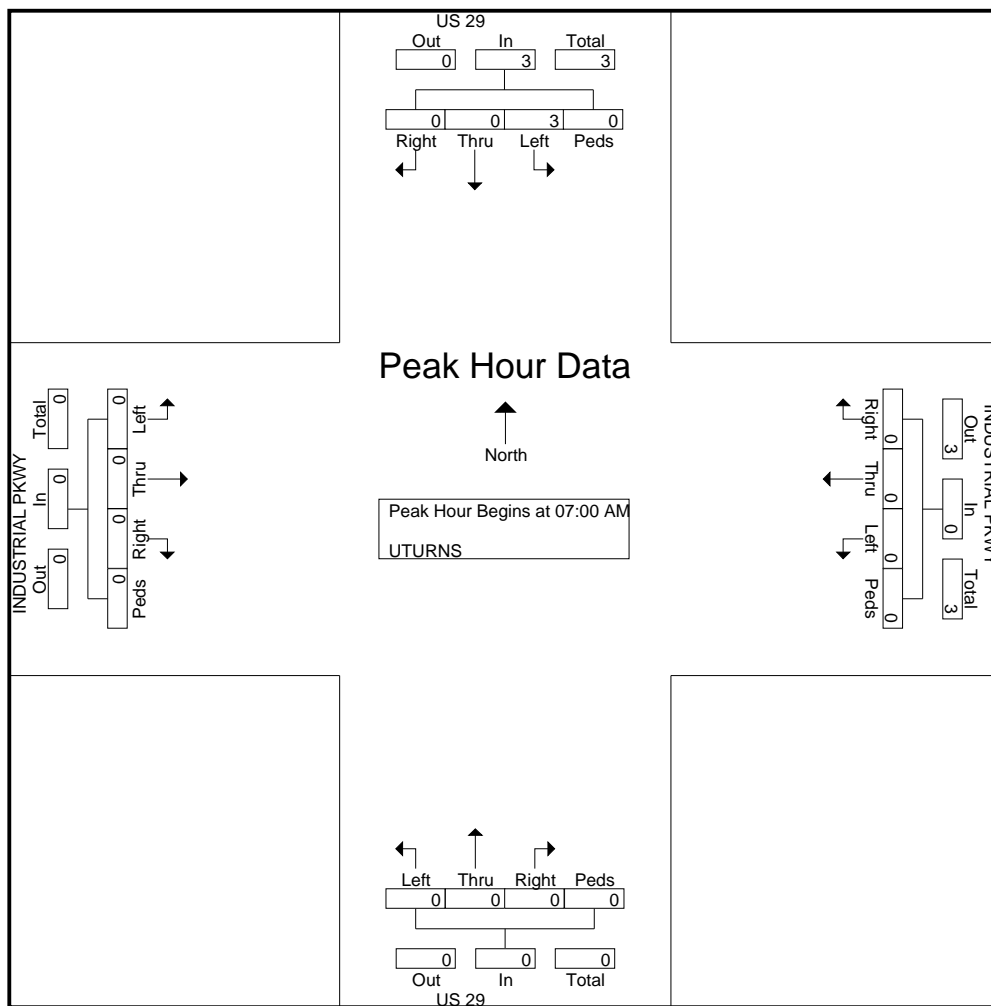
File Name : US 29 at Industrial Pkwy

Site Code : 00000000

Start Date : 10/20/2015

Page No : 3

Start Time	US 29 From North					INDUSTRIAL PKWY From East					US 29 From South					INDUSTRIAL PKWY From West					Int. Total
	Right	Thru	Left	Peds	App. Total	Right	Thru	Left	Peds	App. Total	Right	Thru	Left	Peds	App. Total	Right	Thru	Left	Peds	App. Total	
Peak Hour Analysis From 06:00 AM to 11:45 AM - Peak 1 of 1																					
Peak Hour for Entire Intersection Begins at 07:00 AM																					
07:00 AM	0	0	0	0	0	0	0	0	0	0	0	0	0	0	0	0	0	0	0	0	0
07:15 AM	0	0	0	0	0	0	0	0	0	0	0	0	0	0	0	0	0	0	0	0	0
07:30 AM	0	0	1	0	1	0	0	0	0	0	0	0	0	0	0	0	0	0	0	0	0
07:45 AM	0	0	2	0	2	0	0	0	0	0	0	0	0	0	0	0	0	0	0	0	0
Total Volume	0	0	3	0	3	0	0	0	0	0	0	0	0	0	0	0	0	0	0	0	0
% App. Total	0	0	100	0		0	0	0	0		0	0	0	0		0	0	0	0		
PHF	.000	.000	.375	.000	.375	.000	.000	.000	.000	.000	.000	.000	.000	.000	.000	.000	.000	.000	.000	.000	.375



# Sabra, Wang & Assoc, Inc

7055 Samuel Morse Dr, Suite 100  
Columbia, MD 21046

443-741-3500

File Name : US 29 at Industrial Pkwy

Site Code : 00000000

Start Date : 10/20/2015

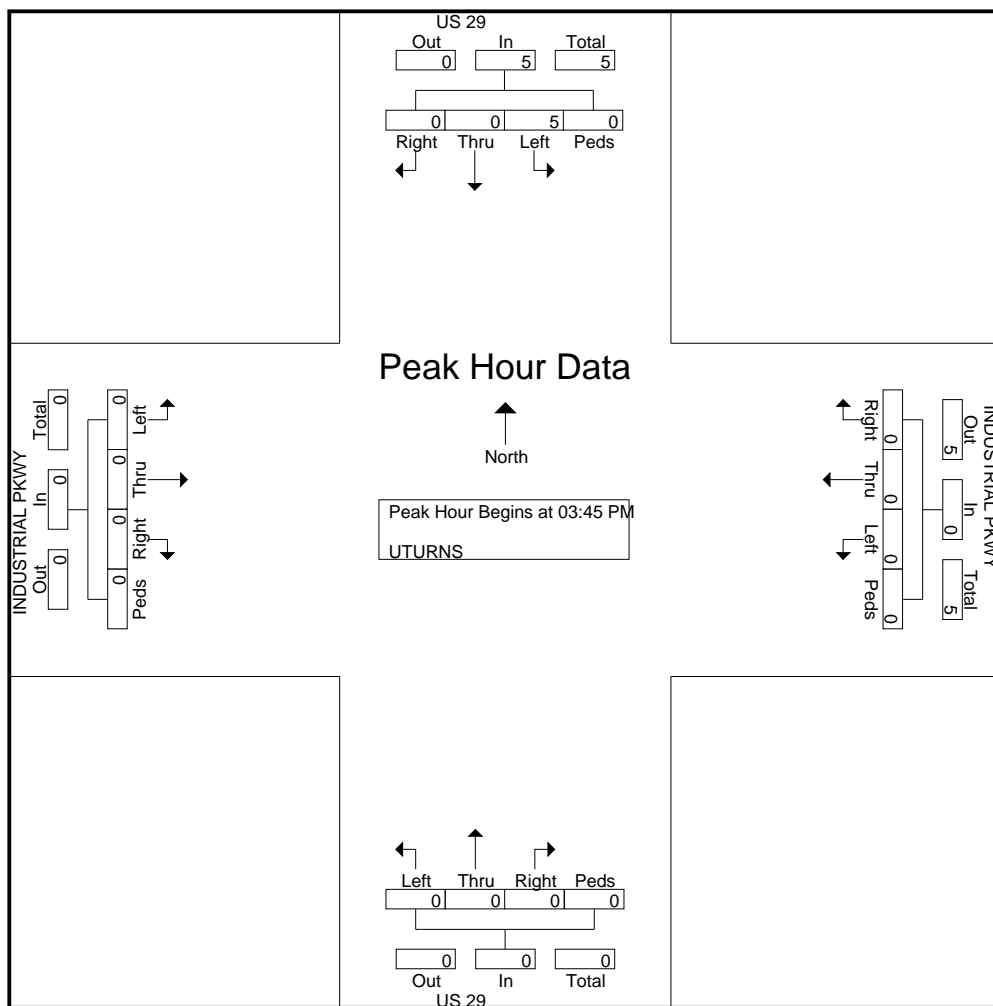
Page No : 4

Start Time	US 29 From North					INDUSTRIAL PKWY From East					US 29 From South					INDUSTRIAL PKWY From West					Int. Total
	Right	Thru	Left	Peds	App. Total	Right	Thru	Left	Peds	App. Total	Right	Thru	Left	Peds	App. Total	Right	Thru	Left	Peds	App. Total	

Peak Hour Analysis From 12:00 PM to 06:45 PM - Peak 1 of 1

Peak Hour for Entire Intersection Begins at 03:45 PM

03:45 PM	0	0	0	0	0	0	0	0	0	0	0	0	0	0	0	0	0	0	0	0	0
04:00 PM	0	0	3	0	3	0	0	0	0	0	0	0	0	0	0	0	0	0	0	0	3
04:15 PM	0	0	1	0	1	0	0	0	0	0	0	0	0	0	0	0	0	0	0	0	1
04:30 PM	0	0	1	0	1	0	0	0	0	0	0	0	0	0	0	0	0	0	0	0	1
Total Volume	0	0	5	0	5	0	0	0	0	0	0	0	0	0	0	0	0	0	0	0	5
% App. Total	0	0	100	0		0	0	0	0		0	0	0	0		0	0	0	0		
PHF	.000	.000	.417	.000	.417	.000	.000	.000	.000	.000	.000	.000	.000	.000	.000	.000	.000	.000	.000	.000	.417



# Sabra, Wang & Assoc, Inc

7055 Samuel Morse Dr, Suite 100  
Columbia, MD 21046  
443-741-3500

Weather: SUNNY  
Counted By: MIKE & HORACE  
Town: SILVER SPRING  
County: MONTGOMERY

File Name : US 29 at Industrial Pkwy  
Site Code : 00000000  
Start Date : 10/20/2015  
Page No : 1

Groups Printed- BICYCLES

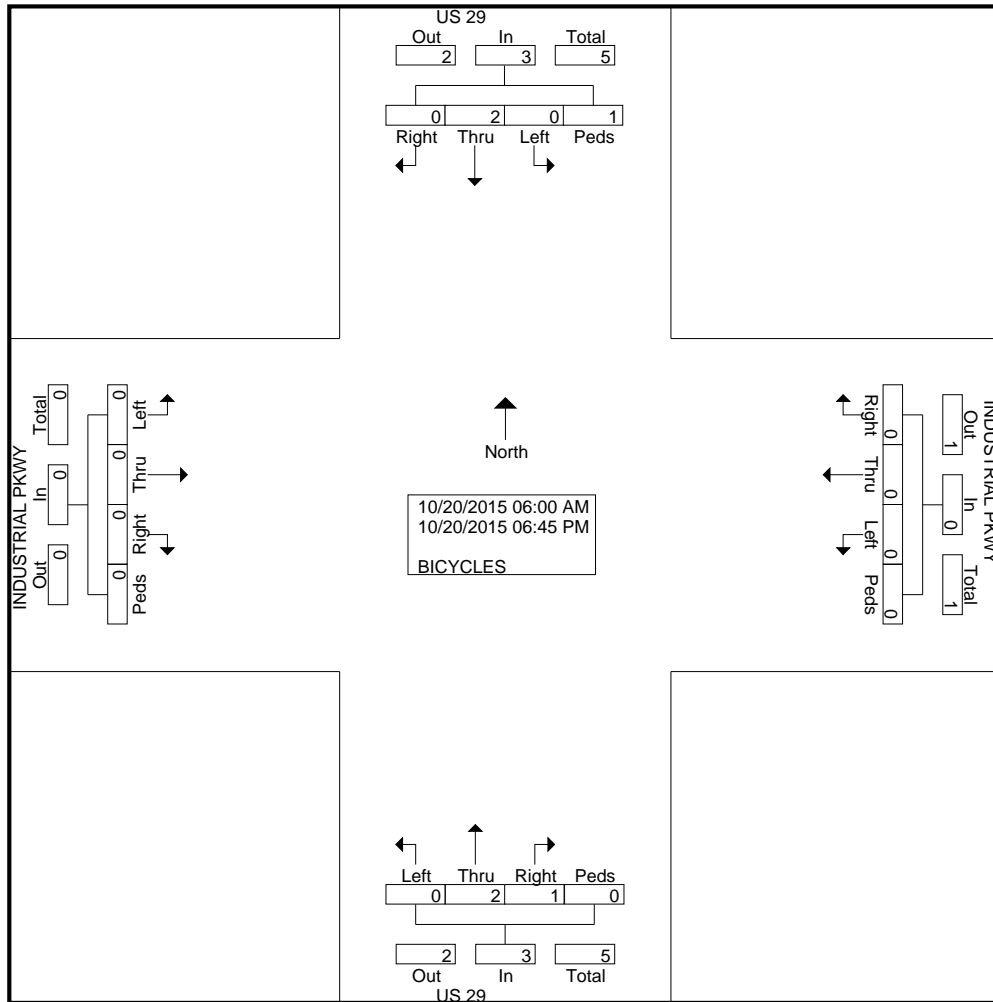
Start Time	US 29 From North					INDUSTRIAL PKWY From East					US 29 From South					INDUSTRIAL PKWY From West					Int. Total
	Right	Thru	Left	Peds	App. Total	Right	Thru	Left	Peds	App. Total	Right	Thru	Left	Peds	App. Total	Right	Thru	Left	Peds	App. Total	
**BREAK**																					
06:15 AM	0	0	0	1	1	0	0	0	0	0	1	1	0	0	2	0	0	0	0	0	3
**BREAK**																					
Total	0	0	0	1	1	0	0	0	0	0	1	1	0	0	2	0	0	0	0	0	3
**BREAK**																					
07:15 AM	0	1	0	0	1	0	0	0	0	0	0	0	0	0	0	0	0	0	0	0	1
**BREAK**																					
Total	0	1	0	0	1	0	0	0	0	0	0	0	0	0	0	0	0	0	0	0	1
**BREAK**																					
04:30 PM	0	0	0	0	0	0	0	0	0	0	0	1	0	0	1	0	0	0	0	0	1
**BREAK**																					
Total	0	0	0	0	0	0	0	0	0	0	0	1	0	0	1	0	0	0	0	0	1
**BREAK**																					
06:30 PM	0	1	0	0	1	0	0	0	0	0	0	0	0	0	0	0	0	0	0	0	1
**BREAK**																					
Total	0	1	0	0	1	0	0	0	0	0	0	0	0	0	0	0	0	0	0	0	1
Grand Total	0	2	0	1	3	0	0	0	0	0	1	2	0	0	3	0	0	0	0	0	6
Apprch %	0	66.7	0	33.3		0	0	0	0		33.3	66.7	0	0		0	0	0	0		
Total %	0	33.3	0	16.7	50	0	0	0	0	0	16.7	33.3	0	0	50	0	0	0	0	0	



# Sabra, Wang & Assoc, Inc

7055 Samuel Morse Dr, Suite 100  
Columbia, MD 21046  
443-741-3500

File Name : US 29 at Industrial Pkwy  
Site Code : 00000000  
Start Date : 10/20/2015  
Page No : 2



# Sabra, Wang & Assoc, Inc

7055 Samuel Morse Dr, Suite 100  
Columbia, MD 21046

443-741-3500

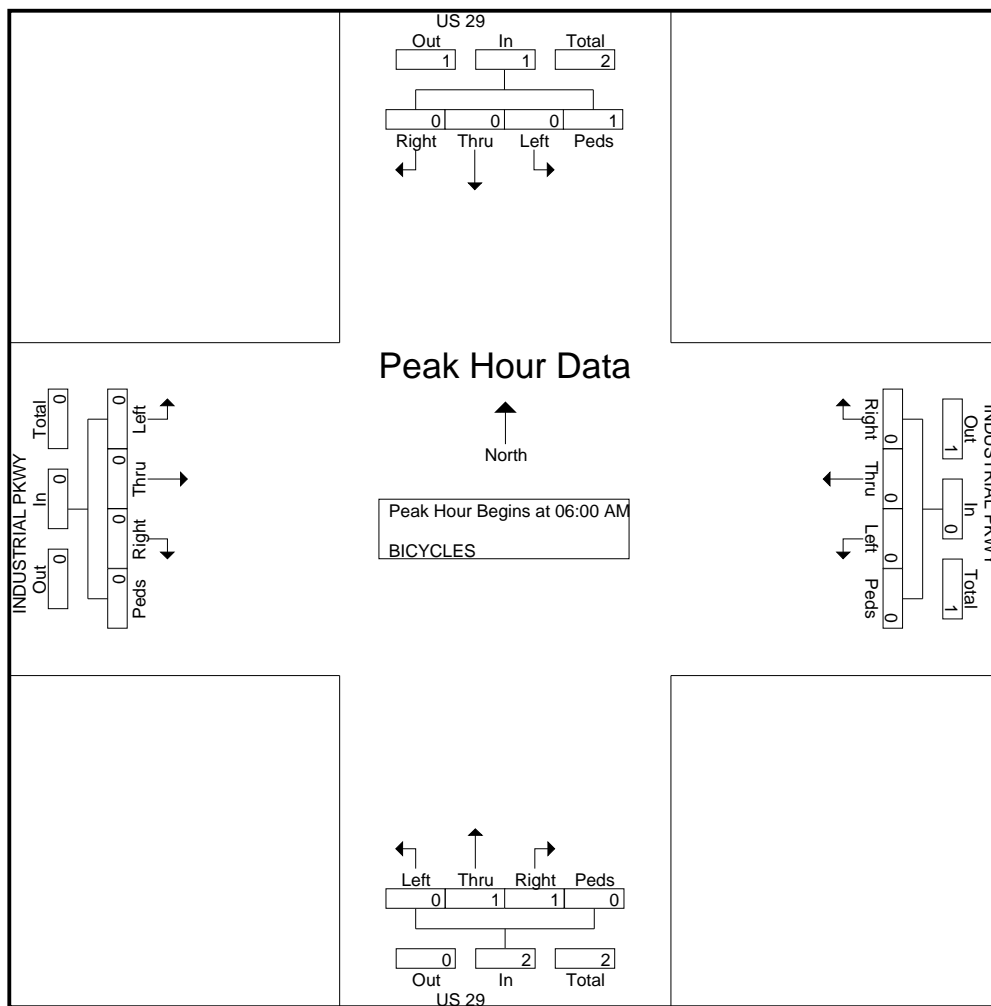
File Name : US 29 at Industrial Pkwy

Site Code : 00000000

Start Date : 10/20/2015

Page No : 3

Start Time	US 29 From North					INDUSTRIAL PKWY From East					US 29 From South					INDUSTRIAL PKWY From West					Int. Total
	Right	Thru	Left	Peds	App. Total	Right	Thru	Left	Peds	App. Total	Right	Thru	Left	Peds	App. Total	Right	Thru	Left	Peds	App. Total	
Peak Hour Analysis From 06:00 AM to 11:45 AM - Peak 1 of 1																					
Peak Hour for Entire Intersection Begins at 06:00 AM																					
06:00 AM	0	0	0	0	0	0	0	0	0	0	0	0	0	0	0	0	0	0	0	0	0
06:15 AM	0	0	0	1	1	0	0	0	0	0	1	1	0	0	2	0	0	0	0	0	0
06:30 AM	0	0	0	0	0	0	0	0	0	0	0	0	0	0	0	0	0	0	0	0	0
06:45 AM	0	0	0	0	0	0	0	0	0	0	0	0	0	0	0	0	0	0	0	0	0
Total Volume	0	0	0	1	1	0	0	0	0	0	1	1	0	0	2	0	0	0	0	0	0
% App. Total	0	0	0	100		0	0	0	0		50	50	0	0		0	0	0	0		
PHF	.000	.000	.000	.250	.250	.000	.000	.000	.000	.000	.250	.250	.000	.000	.250	.000	.000	.000	.000	.000	.250



# Sabra, Wang & Assoc, Inc

7055 Samuel Morse Dr, Suite 100  
Columbia, MD 21046

443-741-3500

File Name : US 29 at Industrial Pkwy

Site Code : 00000000

Start Date : 10/20/2015

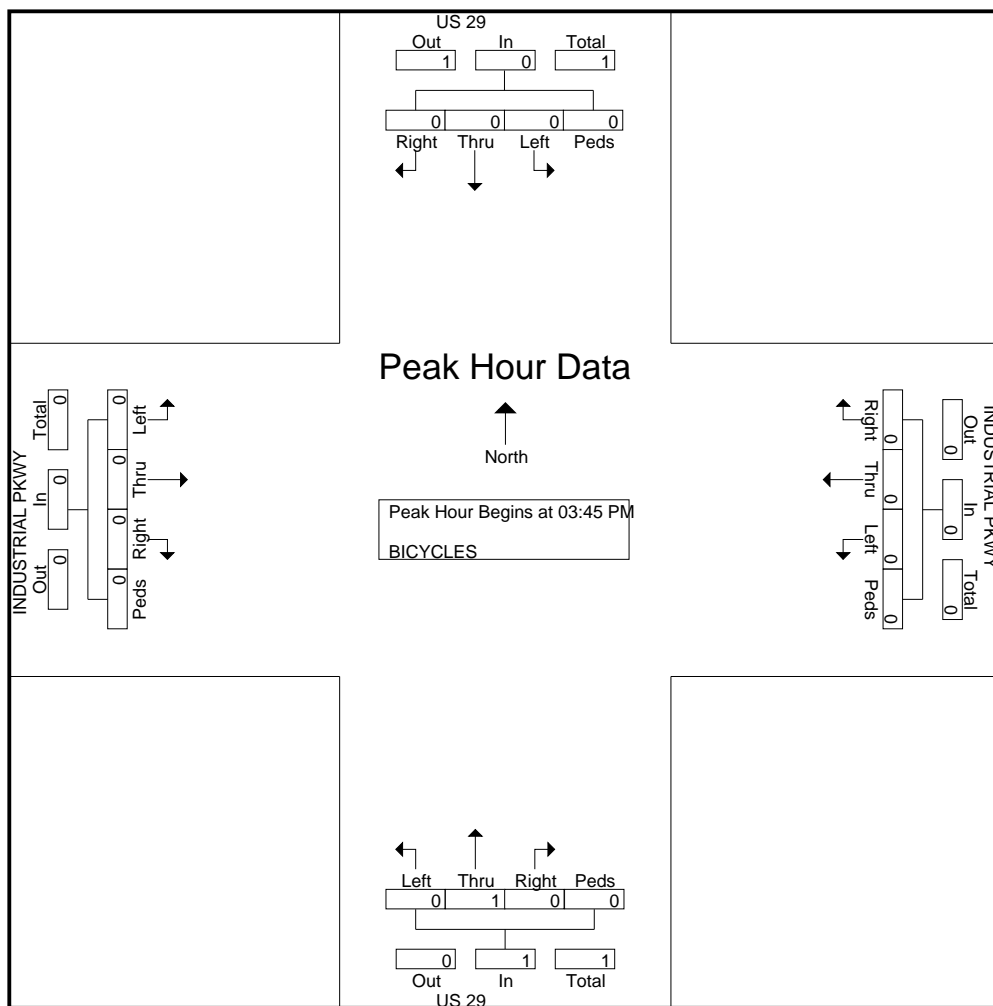
Page No : 4

Start Time	US 29 From North					INDUSTRIAL PKWY From East					US 29 From South					INDUSTRIAL PKWY From West					Int. Total
	Right	Thru	Left	Peds	App. Total	Right	Thru	Left	Peds	App. Total	Right	Thru	Left	Peds	App. Total	Right	Thru	Left	Peds	App. Total	

Peak Hour Analysis From 12:00 PM to 06:45 PM - Peak 1 of 1

Peak Hour for Entire Intersection Begins at 03:45 PM

03:45 PM	0	0	0	0	0	0	0	0	0	0	0	0	0	0	0	0	0	0	0	0	0
04:00 PM	0	0	0	0	0	0	0	0	0	0	0	0	0	0	0	0	0	0	0	0	0
04:15 PM	0	0	0	0	0	0	0	0	0	0	0	0	0	0	0	0	0	0	0	0	0
04:30 PM	0	0	0	0	0	0	0	0	0	0	0	1	0	0	1	0	0	0	0	0	1
Total Volume	0	0	0	0	0	0	0	0	0	0	0	1	0	0	1	0	0	0	0	0	1
% App. Total	0	0	0	0	0	0	0	0	0	0	0	100	0	0	0	0	0	0	0	0	0
PHF	.000	.000	.000	.000	.000	.000	.000	.000	.000	.000	.000	.250	.000	.000	.250	.000	.000	.000	.000	.000	.250



# Sabra, Wang & Assoc, Inc

7055 Samuel Morse Dr, Suite 100  
Columbia, MD 21046  
443-741-3500

Weather: SUNNY  
Counted By: MIKE & HORACE  
Town: SILVER SPRING  
County: MONTGOMERY

File Name : US 29 at Industrial Pkwy  
Site Code : 00000000  
Start Date : 10/20/2015  
Page No : 1

## Groups Printed- SCHOOL CHILDREN

Start Time	US 29 From North					INDUSTRIAL PKWY From East					US 29 From South					INDUSTRIAL PKWY From West					Int. Total
	Right	Thru	Left	Peds	App. Total	Right	Thru	Left	Peds	App. Total	Right	Thru	Left	Peds	App. Total	Right	Thru	Left	Peds	App. Total	
**BREAK**																					
04:45 PM	0	0	0	1	1	0	0	0	0	0	0	0	0	0	0	0	0	0	0	0	1
Total	0	0	0	1	1	0	0	0	0	0	0	0	0	0	0	0	0	0	0	0	1
**BREAK**																					
05:15 PM	0	0	0	2	2	0	0	0	0	0	0	0	0	0	0	0	0	0	0	0	2
05:30 PM	0	0	0	1	1	0	0	0	0	0	0	0	0	0	0	0	0	0	0	0	1
**BREAK**																					
Total	0	0	0	3	3	0	0	0	0	0	0	0	0	0	0	0	0	0	0	0	3
**BREAK**																					
Grand Total	0	0	0	4	4	0	0	0	0	0	0	0	0	0	0	0	0	0	0	0	4
Apprch %	0	0	0	100		0	0	0	0		0	0	0	0		0	0	0	0		
Total %	0	0	0	100	100	0	0	0	0	0	0	0	0	0	0	0	0	0	0	0	

# Sabra, Wang & Assoc, Inc

7055 Samuel Morse Dr, Suite 100  
Columbia, MD 21046

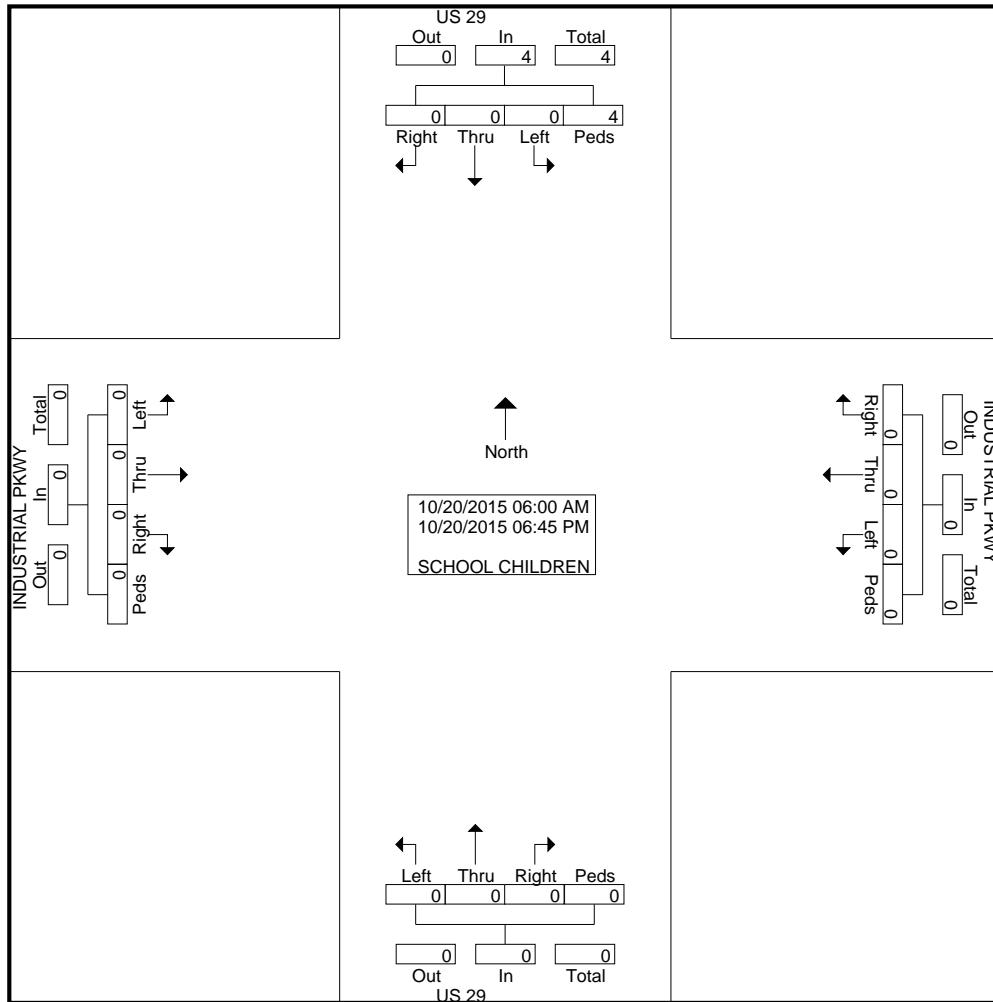
443-741-3500

File Name : US 29 at Industrial Pkwy

Site Code : 00000000

Start Date : 10/20/2015

Page No : 2



# Sabra, Wang & Assoc, Inc

7055 Samuel Morse Dr, Suite 100  
Columbia, MD 21046

443-741-3500

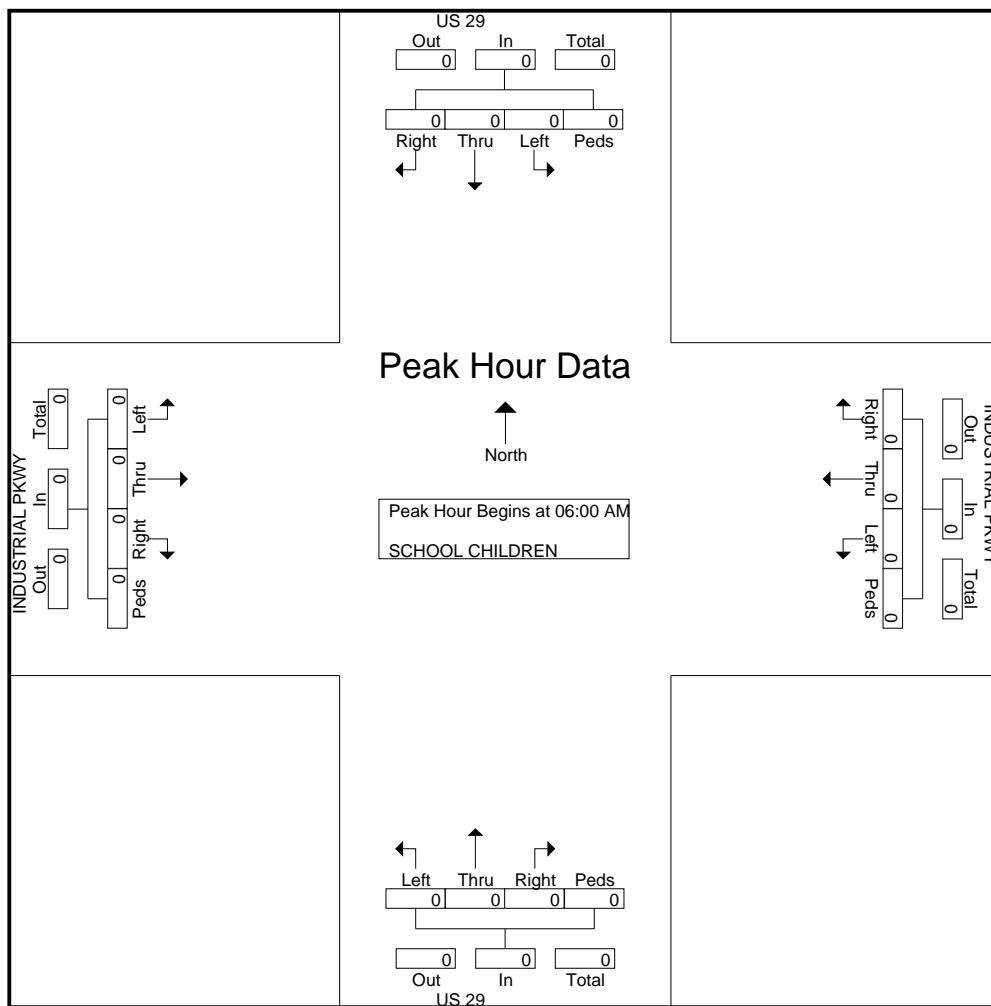
File Name : US 29 at Industrial Pkwy

Site Code : 00000000

Start Date : 10/20/2015

Page No : 3

Start Time	US 29 From North					INDUSTRIAL PKWY From East					US 29 From South					INDUSTRIAL PKWY From West					Int. Total
	Right	Thru	Left	Peds	App. Total	Right	Thru	Left	Peds	App. Total	Right	Thru	Left	Peds	App. Total	Right	Thru	Left	Peds	App. Total	
Peak Hour Analysis From 06:00 AM to 11:45 AM - Peak 1 of 1																					
Peak Hour for Entire Intersection Begins at 06:00 AM																					
06:00 AM	0	0	0	0	0	0	0	0	0	0	0	0	0	0	0	0	0	0	0	0	0
06:15 AM	0	0	0	0	0	0	0	0	0	0	0	0	0	0	0	0	0	0	0	0	0
06:30 AM	0	0	0	0	0	0	0	0	0	0	0	0	0	0	0	0	0	0	0	0	0
06:45 AM	0	0	0	0	0	0	0	0	0	0	0	0	0	0	0	0	0	0	0	0	0
Total Volume	0	0	0	0	0	0	0	0	0	0	0	0	0	0	0	0	0	0	0	0	0
% App. Total	0	0	0	0	0	0	0	0	0	0	0	0	0	0	0	0	0	0	0	0	0
PHF	.000	.000	.000	.000	.000	.000	.000	.000	.000	.000	.000	.000	.000	.000	.000	.000	.000	.000	.000	.000	.000



# Sabra, Wang & Assoc, Inc

7055 Samuel Morse Dr, Suite 100  
Columbia, MD 21046

443-741-3500

File Name : US 29 at Industrial Pkwy

Site Code : 00000000

Start Date : 10/20/2015

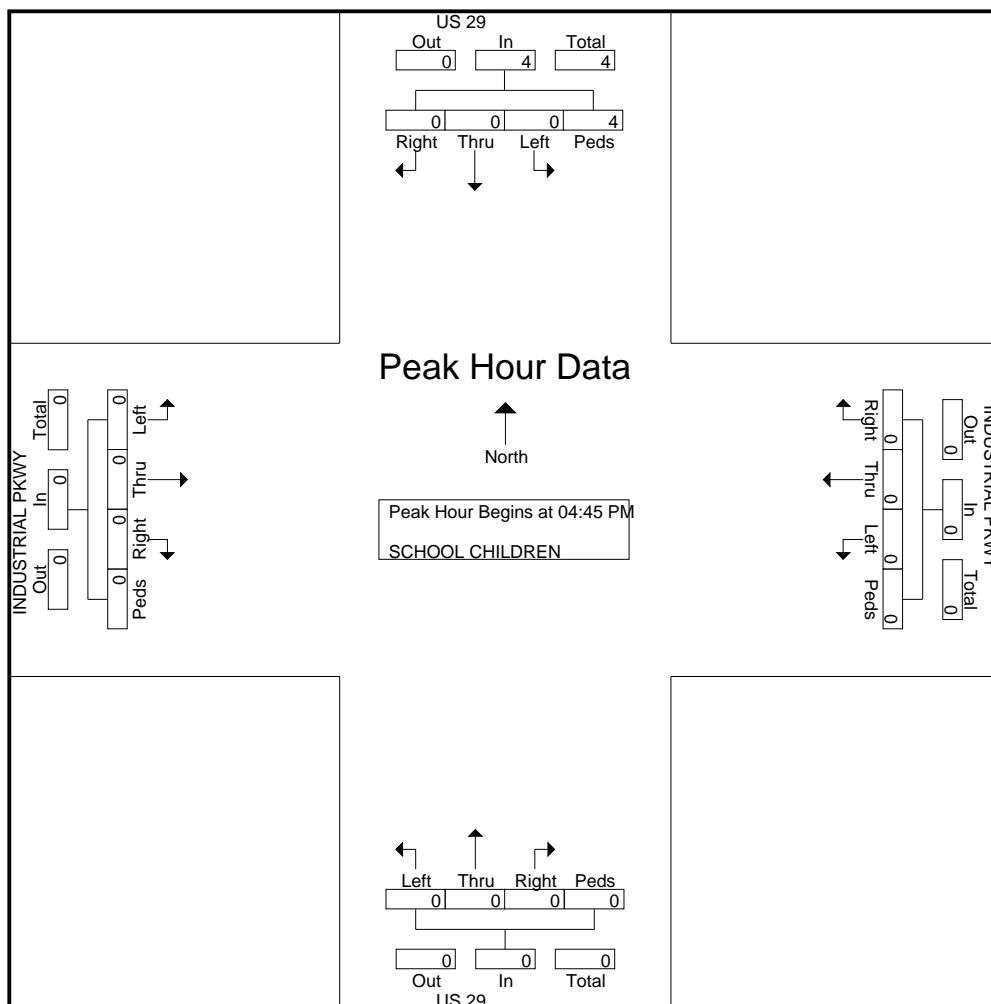
Page No : 4

Start Time	US 29 From North					INDUSTRIAL PKWY From East					US 29 From South					INDUSTRIAL PKWY From West					Int. Total
	Right	Thru	Left	Peds	App. Total	Right	Thru	Left	Peds	App. Total	Right	Thru	Left	Peds	App. Total	Right	Thru	Left	Peds	App. Total	

Peak Hour Analysis From 12:00 PM to 06:45 PM - Peak 1 of 1

Peak Hour for Entire Intersection Begins at 04:45 PM

04:45 PM	0	0	0	1	1	0	0	0	0	0	0	0	0	0	0	0	0	0	0	0	0	0	0	0	0	1
05:00 PM	0	0	0	0	0	0	0	0	0	0	0	0	0	0	0	0	0	0	0	0	0	0	0	0	0	0
05:15 PM	0	0	0	2	2	0	0	0	0	0	0	0	0	0	0	0	0	0	0	0	0	0	0	0	0	2
05:30 PM	0	0	0	1	1	0	0	0	0	0	0	0	0	0	0	0	0	0	0	0	0	0	0	0	0	1
Total Volume	0	0	0	4	4	0	0	0	0	0	0	0	0	0	0	0	0	0	0	0	0	0	0	0	0	4
% App. Total	0	0	0	100		0	0	0	0		0	0	0	0		0	0	0	0		0	0	0	0		
PHF	.000	.000	.000	.500	.500	.000	.000	.000	.000	.000	.000	.000	.000	.000	.000	.000	.000	.000	.000	.000	.000	.000	.000	.000	.500	



# Sabra, Wang & Assoc, Inc

7055 Samuel Morse Dr, Suite 100

Columbia, MD 21046

443-741-3500

Weather: SUNNY  
 Counted By: DON & DEVRIN  
 Town: SILVER SPRING  
 County: MONTGOMERY

File Name : US 29 at Lorain Ave  
 Site Code : 00000000  
 Start Date : 5/28/2015  
 Page No : 1

## Groups Printed- VEHS&PEDS

Start Time	US 29 From North					LORAIN AVE From East					US 29 From South					LORAIN AVE From West					Int. Total
	Right	Thru	Left	Peds	App. Total	Right	Thru	Left	Peds	App. Total	Right	Thru	Left	Peds	App. Total	Right	Thru	Left	Peds	App. Total	
06:00 AM	2	620	3	0	625	3	0	3	0	6	1	90	0	0	91	2	0	0	1	3	725
06:15 AM	7	805	4	0	816	2	0	0	0	2	2	149	3	0	154	1	0	1	1	3	975
06:30 AM	7	803	5	0	815	3	0	3	0	6	1	208	0	0	209	3	0	0	2	5	1035
06:45 AM	8	767	3	0	778	3	0	4	0	7	0	238	1	0	239	3	1	2	0	6	1030
Total	24	2995	15	0	3034	11	0	10	0	21	4	685	4	0	693	9	1	3	4	17	3765
07:00 AM	1	775	2	0	778	7	1	4	1	13	0	286	2	0	288	2	0	3	0	5	1084
07:15 AM	6	803	6	0	815	16	1	2	1	20	0	371	4	0	375	9	0	5	0	14	1224
07:30 AM	7	777	6	0	790	7	0	4	1	12	1	458	5	0	464	10	2	1	0	13	1279
07:45 AM	3	843	7	0	853	11	1	5	0	17	1	455	2	0	458	4	0	2	0	6	1334
Total	17	3198	21	0	3236	41	3	15	3	62	2	1570	13	0	1585	25	2	11	0	38	4921
08:00 AM	2	857	6	0	865	10	0	1	0	11	0	399	4	0	403	13	2	4	1	20	1299
08:15 AM	0	813	0	0	813	7	0	2	0	9	3	389	2	0	394	13	0	2	0	15	1231
08:30 AM	3	728	3	0	734	5	0	3	0	8	2	441	3	0	446	2	0	2	2	6	1194
08:45 AM	18	800	5	0	823	6	0	2	0	8	1	464	8	0	473	4	0	1	0	5	1309
Total	23	3198	14	0	3235	28	0	8	0	36	6	1693	17	0	1716	32	2	9	3	46	5033
09:00 AM	2	836	3	0	841	13	0	2	2	17	1	384	7	0	392	4	1	0	0	5	1255
09:15 AM	15	884	2	0	901	8	0	1	1	10	1	406	5	0	412	5	1	1	0	7	1330
09:30 AM	11	706	12	0	729	3	0	1	1	5	1	376	4	0	381	1	0	0	0	1	1116
09:45 AM	14	684	3	0	701	6	0	2	1	9	3	393	5	0	401	5	0	0	0	5	1116
Total	42	3110	20	0	3172	30	0	6	5	41	6	1559	21	0	1586	15	2	1	0	18	4817
**BREAK**																					
04:00 PM	3	588	4	0	595	10	0	1	0	11	6	708	6	0	720	3	0	0	0	3	1329
04:15 PM	7	559	6	0	572	6	0	0	0	6	1	708	7	0	716	4	0	1	1	6	1300
04:30 PM	2	490	3	0	495	8	0	1	1	10	2	743	9	0	754	3	0	2	1	6	1265
04:45 PM	2	608	4	0	614	9	0	1	1	11	0	761	7	0	768	5	0	2	0	7	1400
Total	14	2245	17	0	2276	33	0	3	2	38	9	2920	29	0	2958	15	0	5	2	22	5294
05:00 PM	7	491	8	0	506	2	0	0	0	2	3	682	9	0	694	3	0	3	1	7	1209
05:15 PM	4	628	7	0	639	10	0	0	3	13	3	775	6	0	784	1	0	5	0	6	1442
05:30 PM	4	653	9	0	666	5	0	0	1	6	2	775	7	0	784	4	0	2	0	6	1462



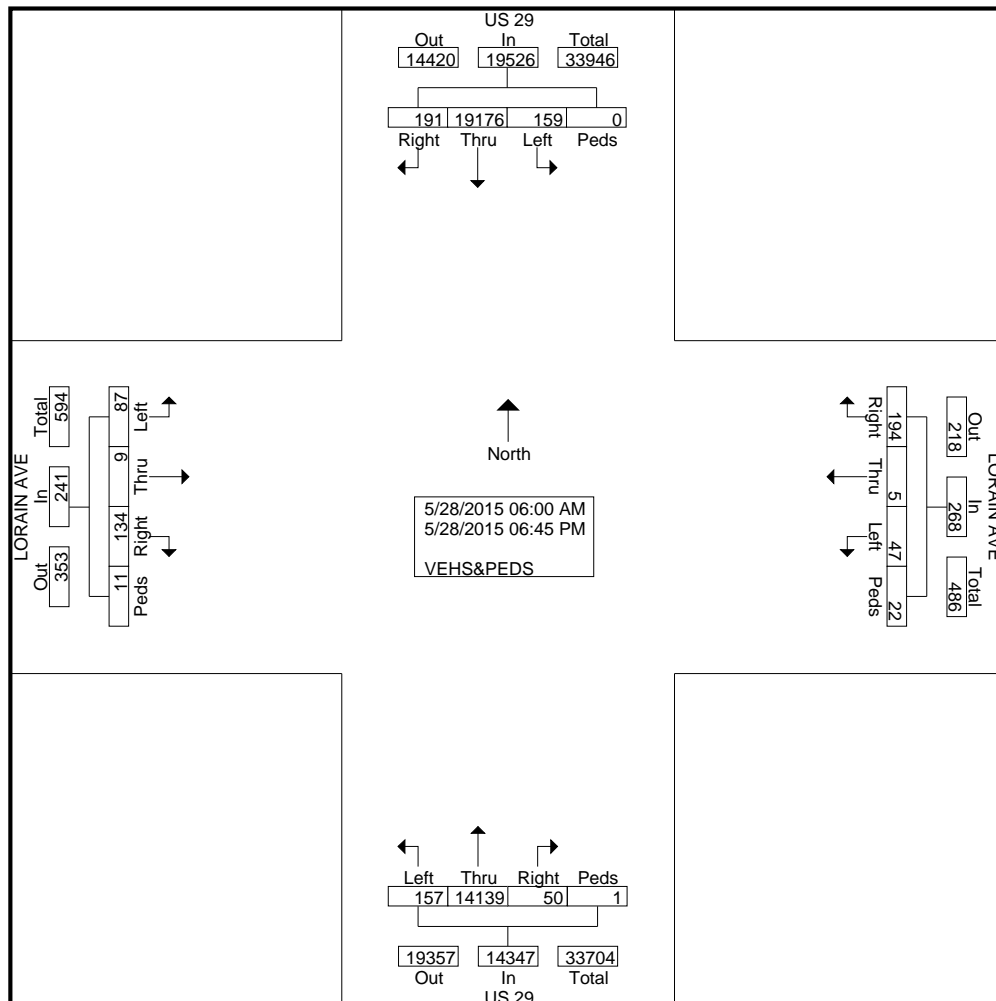
# Sabra, Wang & Assoc, Inc

7055 Samuel Morse Dr, Suite 100  
Columbia, MD 21046  
443-741-3500

File Name : US 29 at Lorain Ave  
Site Code : 00000000  
Start Date : 5/28/2015  
Page No : 2

Groups Printed- VEHS&PEDS

Start Time	US 29 From North					LORAIN AVE From East					US 29 From South					LORAIN AVE From West					Int. Total
	Right	Thru	Left	Peds	App. Total	Right	Thru	Left	Peds	App. Total	Right	Thru	Left	Peds	App. Total	Right	Thru	Left	Peds	App. Total	
05:45 PM	3	589	10	0	602	11	0	1	1	13	2	758	8	0	768	8	0	6	1	15	1398
Total	18	2361	34	0	2413	28	0	1	5	34	10	2990	30	0	3030	16	0	16	2	34	5511
06:00 PM	42	466	4	0	512	6	0	2	6	14	4	766	14	0	784	7	0	8	0	15	1325
06:15 PM	5	561	14	0	580	10	2	1	1	14	2	738	11	0	751	3	1	2	0	6	1351
06:30 PM	4	498	9	0	511	2	0	0	0	2	4	674	10	0	688	8	1	29	0	38	1239
06:45 PM	2	544	11	0	557	5	0	1	0	6	3	544	8	1	556	4	0	3	0	7	1126
Total	53	2069	38	0	2160	23	2	4	7	36	13	2722	43	1	2779	22	2	42	0	66	5041
Grand Total	191	19176	159	0	19526	194	5	47	22	268	50	14139	157	1	14347	134	9	87	11	241	34382
Apprch %	1	98.2	0.8	0		72.4	1.9	17.5	8.2		0.3	98.6	1.1	0		55.6	3.7	36.1	4.6		
Total %	0.6	55.8	0.5	0	56.8	0.6	0	0.1	0.1	0.8	0.1	41.1	0.5	0	41.7	0.4	0	0.3	0	0.7	



# Sabra, Wang & Assoc, Inc

7055 Samuel Morse Dr, Suite 100  
Columbia, MD 21046  
443-741-3500

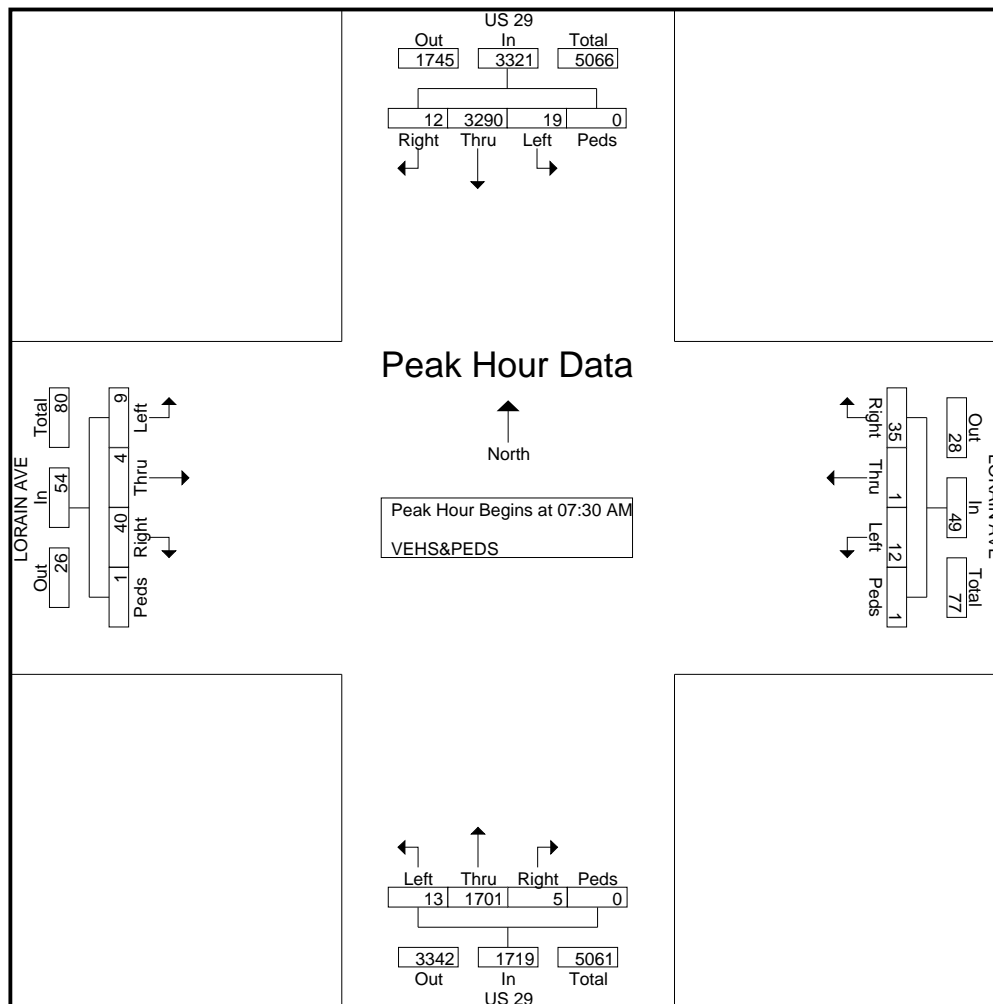
File Name : US 29 at Lorain Ave  
Site Code : 00000000  
Start Date : 5/28/2015  
Page No : 3

Start Time	US 29 From North					LORAIN AVE From East					US 29 From South					LORAIN AVE From West					Int. Total
	Right	Thru	Left	Peds	App. Total	Right	Thru	Left	Peds	App. Total	Right	Thru	Left	Peds	App. Total	Right	Thru	Left	Peds	App. Total	

Peak Hour Analysis From 06:00 AM to 11:45 AM - Peak 1 of 1

Peak Hour for Entire Intersection Begins at 07:30 AM

07:30 AM	7	777	6	0	790	7	0	4	1	12	1	458	5	0	464	10	2	1	0	13	1279
07:45 AM	3	843	7	0	853	11	1	5	0	17	1	455	2	0	458	4	0	2	0	6	1334
08:00 AM	2	857	6	0	865	10	0	1	0	11	0	399	4	0	403	13	2	4	1	20	1299
08:15 AM	0	813	0	0	813	7	0	2	0	9	3	389	2	0	394	13	0	2	0	15	1231
Total Volume	12	3290	19	0	3321	35	1	12	1	49	5	1701	13	0	1719	40	4	9	1	54	5143
% App. Total	0.4	99.1	0.6	0		71.4	2	24.5	2		0.3	99	0.8	0		74.1	7.4	16.7	1.9		
PHF	.429	.960	.679	.000	.960	.795	.250	.600	.250	.721	.417	.928	.650	.000	.926	.769	.500	.563	.250	.675	.964

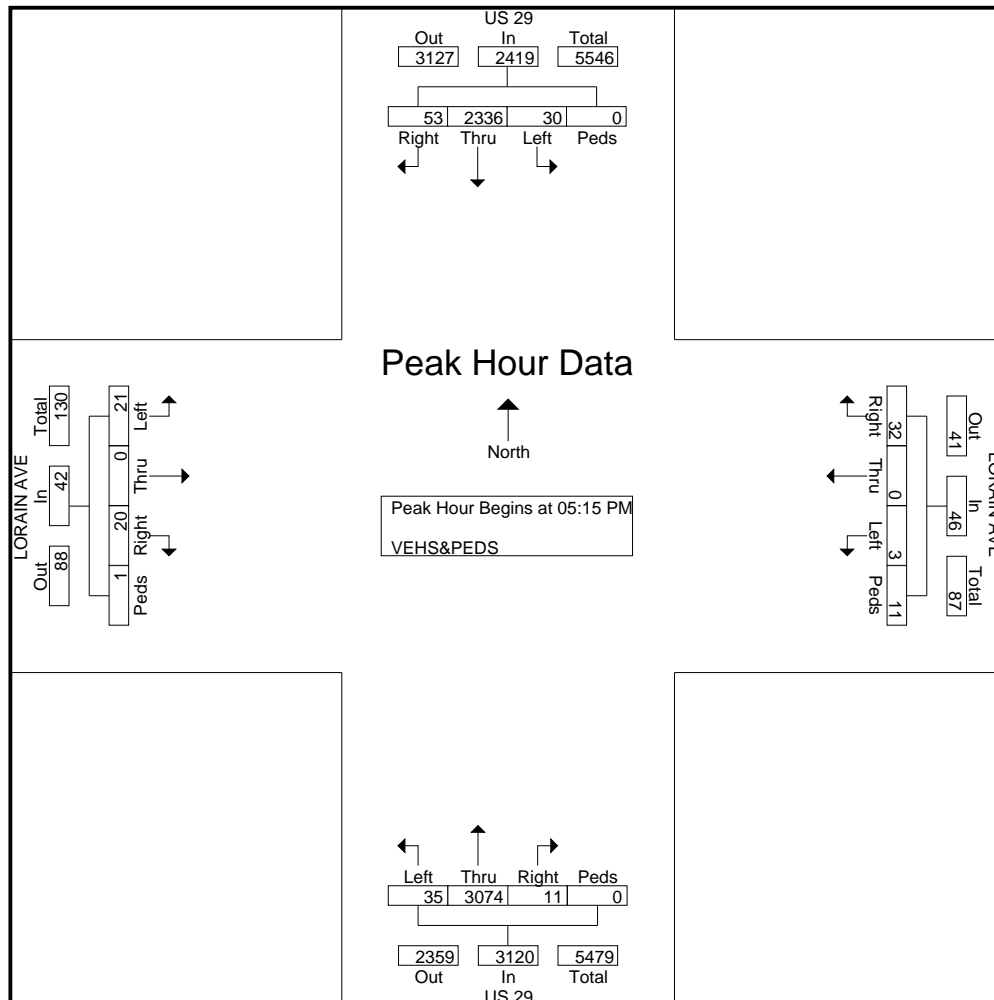


# Sabra, Wang & Assoc, Inc

7055 Samuel Morse Dr, Suite 100  
Columbia, MD 21046  
443-741-3500

File Name : US 29 at Lorain Ave  
Site Code : 00000000  
Start Date : 5/28/2015  
Page No : 4

Start Time	US 29 From North					LORAIN AVE From East					US 29 From South					LORAIN AVE From West					Int. Total
	Right	Thru	Left	Peds	App. Total	Right	Thru	Left	Peds	App. Total	Right	Thru	Left	Peds	App. Total	Right	Thru	Left	Peds	App. Total	
Peak Hour Analysis From 12:00 PM to 06:45 PM - Peak 1 of 1																					
Peak Hour for Entire Intersection Begins at 05:15 PM																					
05:15 PM	4	628	7	0	639	10	0	0	3	13	3	775	6	0	784	1	0	5	0	6	1442
05:30 PM	4	653	9	0	666	5	0	0	1	6	2	775	7	0	784	4	0	2	0	6	1462
05:45 PM	3	589	10	0	602	11	0	1	1	13	2	758	8	0	768	8	0	6	1	15	1398
06:00 PM	42	466	4	0	512	6	0	2	6	14	4	766	14	0	784	7	0	8	0	15	1325
Total Volume	53	2336	30	0	2419	32	0	3	11	46	11	3074	35	0	3120	20	0	21	1	42	5627
% App. Total	2.2	96.6	1.2	0		69.6	0	6.5	23.9		0.4	98.5	1.1	0		47.6	0	50	2.4		
PHF	.315	.894	.750	.000	.908	.727	.000	.375	.458	.821	.688	.992	.625	.000	.995	.625	.000	.656	.250	.700	.962



# Sabra, Wang & Assoc, Inc

7055 Samuel Morse Dr, Suite 100  
Columbia, MD 21046  
443-741-3500

Weather: SUNNY  
Counted By: DON & DEVRIN  
Town: SILVER SPRING  
County: MONTGOMERY

File Name : US 29 at Lorain Ave  
Site Code : 00000000  
Start Date : 5/28/2015  
Page No : 1

## Groups Printed- UTurns

Start Time	US 29 From North					LORAIN AVE From East					US 29 From South					LORAIN AVE From West					Int. Total
	Right	Thru	Left	Peds	App. Total	Right	Thru	Left	Peds	App. Total	Right	Thru	Left	Peds	App. Total	Right	Thru	Left	Peds	App. Total	
**BREAK**																					
06:30 AM	0	0	0	0	0	0	0	0	0	0	0	0	1	0	1	0	0	0	0	0	1
**BREAK**																					
Total	0	0	0	0	0	0	0	0	0	0	0	0	1	0	1	0	0	0	0	0	1
07:00 AM	0	0	0	0	0	0	0	0	0	0	0	0	1	0	1	0	0	0	0	0	1
**BREAK**																					
07:30 AM	0	0	0	0	0	0	0	0	0	0	0	0	1	0	1	0	0	0	0	0	1
**BREAK**																					
Total	0	0	0	0	0	0	0	0	0	0	0	0	2	0	2	0	0	0	0	0	2
08:00 AM	0	0	1	0	1	0	0	0	0	0	0	0	0	0	0	0	0	0	0	0	1
08:15 AM	0	0	0	0	0	0	0	0	0	0	0	0	1	0	1	0	0	0	0	0	1
**BREAK**																					
08:45 AM	0	0	1	0	1	0	0	0	0	0	0	0	2	0	2	0	0	0	0	0	3
Total	0	0	2	0	2	0	0	0	0	0	0	0	3	0	3	0	0	0	0	0	5
**BREAK**																					
09:15 AM	0	0	0	0	0	0	0	0	0	0	0	0	1	0	1	0	0	0	0	0	1
09:30 AM	0	0	0	0	0	0	0	0	0	0	0	0	1	0	1	0	0	0	0	0	1
**BREAK**																					
Total	0	0	0	0	0	0	0	0	0	0	0	0	2	0	2	0	0	0	0	0	2
**BREAK**																					
04:00 PM	0	0	0	0	0	0	0	0	0	0	0	0	2	0	2	0	0	0	0	0	2
04:15 PM	0	0	0	0	0	0	0	0	0	0	0	0	1	0	1	0	0	0	0	0	1
04:30 PM	0	0	0	0	0	0	0	0	0	0	0	0	2	0	2	0	0	0	0	0	2
04:45 PM	0	0	0	0	0	0	0	0	0	0	0	0	3	0	3	0	0	0	0	0	3
Total	0	0	0	0	0	0	0	0	0	0	0	0	8	0	8	0	0	0	0	0	8
05:00 PM	0	0	0	0	0	0	0	0	0	0	0	0	2	0	2	0	0	0	0	0	2
05:15 PM	0	0	0	0	0	0	0	0	0	0	0	0	1	0	1	0	0	0	0	0	1
05:30 PM	0	0	0	0	0	0	0	0	0	0	0	0	1	0	1	0	0	0	0	0	1
05:45 PM	0	0	0	0	0	0	0	0	0	0	0	0	3	0	3	0	0	0	0	0	3
Total	0	0	0	0	0	0	0	0	0	0	0	0	7	0	7	0	0	0	0	0	7

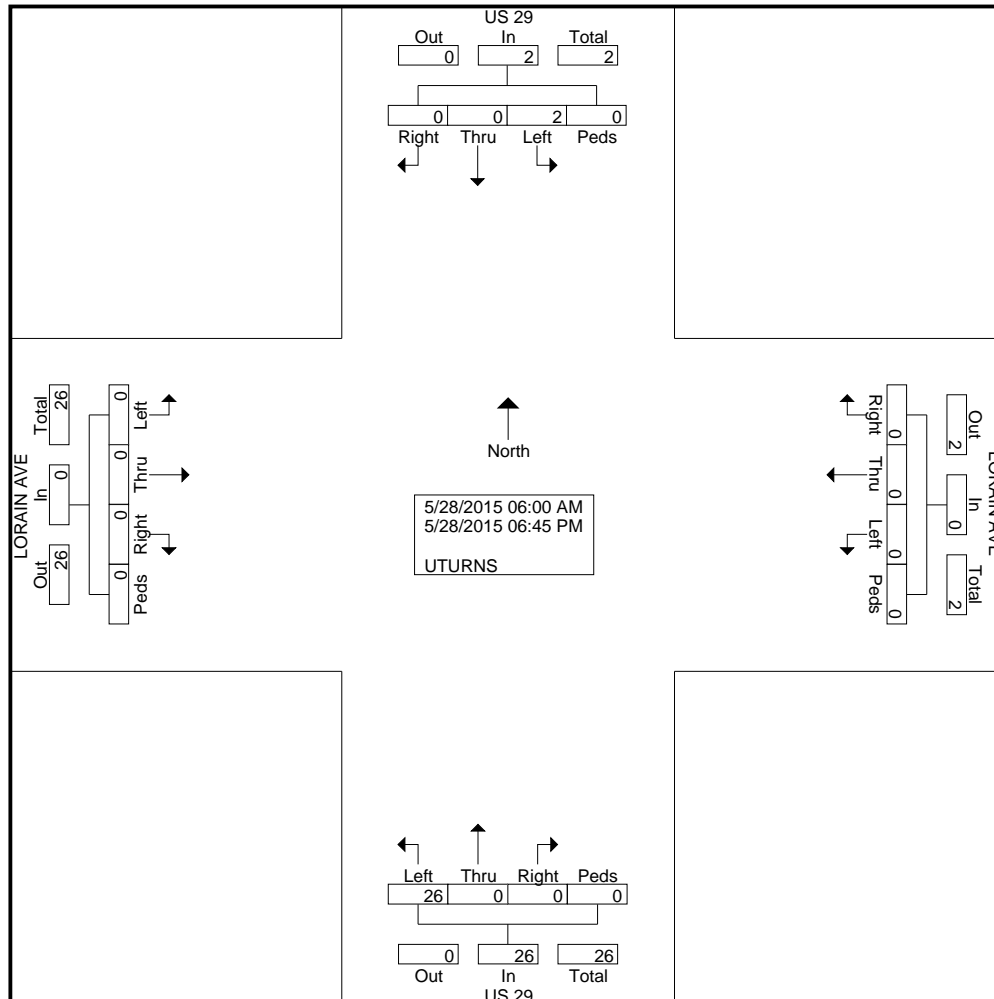
# Sabra, Wang & Assoc, Inc

7055 Samuel Morse Dr, Suite 100  
Columbia, MD 21046  
443-741-3500

File Name : US 29 at Lorain Ave  
Site Code : 00000000  
Start Date : 5/28/2015  
Page No : 2

## Groups Printed- UTurns

Start Time	US 29 From North					LORAIN AVE From East					US 29 From South					LORAIN AVE From West					Int. Total	
	Right	Thru	Left	Peds	App. Total	Right	Thru	Left	Peds	App. Total	Right	Thru	Left	Peds	App. Total	Right	Thru	Left	Peds	App. Total		
06:00 PM	0	0	0	0	0	0	0	0	0	0	0	0	1	0	1	0	0	0	0	0	0	1
06:15 PM	0	0	0	0	0	0	0	0	0	0	0	0	1	0	1	0	0	0	0	0	0	1
06:30 PM	0	0	0	0	0	0	0	0	0	0	0	0	1	0	1	0	0	0	0	0	0	1
**BREAK**																						
Total	0	0	0	0	0	0	0	0	0	0	0	0	3	0	3	0	0	0	0	0	0	3
Grand Total	0	0	2	0	2	0	0	0	0	0	0	0	26	0	26	0	0	0	0	0	0	28
Apprch %	0	0	100	0		0	0	0	0		0	0	100	0		0	0	0	0	0		
Total %	0	0	7.1	0	7.1	0	0	0	0	0	0	0	92.9	0	92.9	0	0	0	0	0		



# Sabra, Wang & Assoc, Inc

7055 Samuel Morse Dr, Suite 100  
Columbia, MD 21046  
443-741-3500

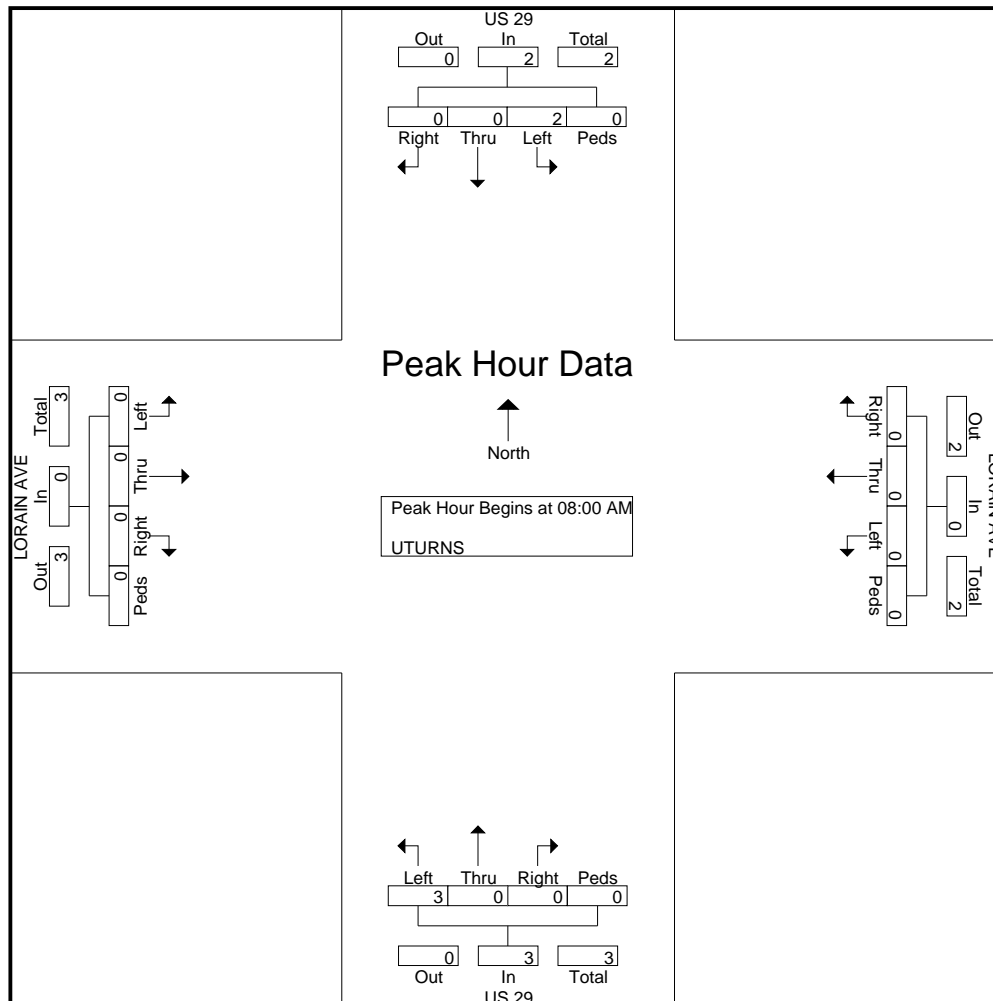
File Name : US 29 at Lorain Ave  
Site Code : 00000000  
Start Date : 5/28/2015  
Page No : 3

Start Time	US 29 From North					LORAIN AVE From East					US 29 From South					LORAIN AVE From West					Int. Total
	Right	Thru	Left	Peds	App. Total	Right	Thru	Left	Peds	App. Total	Right	Thru	Left	Peds	App. Total	Right	Thru	Left	Peds	App. Total	

Peak Hour Analysis From 06:00 AM to 11:45 AM - Peak 1 of 1

Peak Hour for Entire Intersection Begins at 08:00 AM

08:00 AM	0	0	1	0	1	0	0	0	0	0	0	0	0	0	0	0	0	0	0	0	0	1
08:15 AM	0	0	0	0	0	0	0	0	0	0	0	1	0	1	0	0	0	0	0	0	0	1
08:30 AM	0	0	0	0	0	0	0	0	0	0	0	0	0	0	0	0	0	0	0	0	0	0
08:45 AM	0	0	1	0	1	0	0	0	0	0	0	2	0	2	0	0	0	0	0	0	0	3
Total Volume	0	0	2	0	2	0	0	0	0	0	0	3	0	3	0	0	0	0	0	0	0	5
% App. Total	0	0	100	0		0	0	0	0		0	100	0		0	0	0	0				
PHF	.000	.000	.500	.000	.500	.000	.000	.000	.000	.000	.000	.375	.000	.375	.000	.000	.000	.000	.000	.000	.000	.417

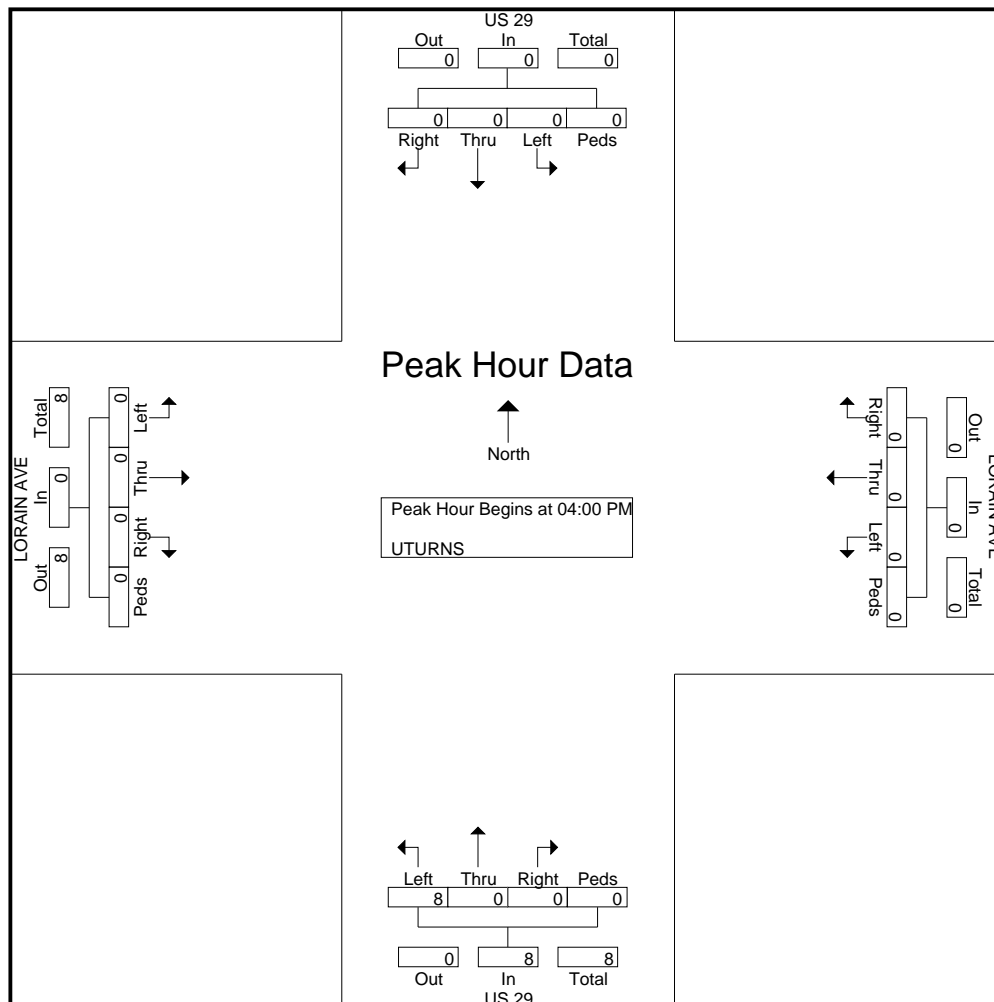


# Sabra, Wang & Assoc, Inc

7055 Samuel Morse Dr, Suite 100  
Columbia, MD 21046  
443-741-3500

File Name : US 29 at Lorain Ave  
Site Code : 00000000  
Start Date : 5/28/2015  
Page No : 4

Start Time	US 29 From North					LORAIN AVE From East					US 29 From South					LORAIN AVE From West					Int. Total	
	Right	Thru	Left	Peds	App. Total	Right	Thru	Left	Peds	App. Total	Right	Thru	Left	Peds	App. Total	Right	Thru	Left	Peds	App. Total		
Peak Hour Analysis From 12:00 PM to 06:45 PM - Peak 1 of 1																						
Peak Hour for Entire Intersection Begins at 04:00 PM																						
04:00 PM	0	0	0	0	0	0	0	0	0	0	0	0	2	0	2	0	0	0	0	0	0	2
04:15 PM	0	0	0	0	0	0	0	0	0	0	0	0	1	0	1	0	0	0	0	0	0	1
04:30 PM	0	0	0	0	0	0	0	0	0	0	0	0	2	0	2	0	0	0	0	0	0	2
04:45 PM	0	0	0	0	0	0	0	0	0	0	0	0	3	0	3	0	0	0	0	0	0	3
Total Volume	0	0	0	0	0	0	0	0	0	0	0	0	8	0	8	0	0	0	0	0	0	8
% App. Total	0	0	0	0	0	0	0	0	0	0	0	0	100	0	100	0	0	0	0	0	0	100
PHF	.000	.000	.000	.000	.000	.000	.000	.000	.000	.000	.000	.000	.667	.000	.667	.000	.000	.000	.000	.000	.000	.667



# Sabra, Wang & Assoc, Inc

7055 Samuel Morse Dr, Suite 100  
Columbia, MD 21046  
443-741-3500

Weather: SUNNY  
Counted By: DON & DEVRIN  
Town: SILVER SPRING  
County: MONTGOMERY

File Name : US 29 at Lorain Ave  
Site Code : 00000000  
Start Date : 5/28/2015  
Page No : 1

Groups Printed- BICYCLES

Start Time	US 29 From North					LORAIN AVE From East					US 29 From South					LORAIN AVE From West					Int. Total
	Right	Thru	Left	Peds	App. Total	Right	Thru	Left	Peds	App. Total	Right	Thru	Left	Peds	App. Total	Right	Thru	Left	Peds	App. Total	
**BREAK**																					
06:30 AM	0	0	0	0	0	0	0	0	0	0	0	0	0	0	0	0	0	0	1	1	1
**BREAK**																					
Total	0	0	0	0	0	0	0	0	0	0	0	0	0	0	0	0	0	0	1	1	1
07:00 AM	0	0	0	0	0	0	0	0	1	1	0	0	0	0	0	0	0	0	0	0	1
**BREAK**																					
07:30 AM	0	0	0	0	0	0	0	0	3	3	0	0	0	0	0	0	0	0	0	0	3
**BREAK**																					
Total	0	0	0	0	0	0	0	0	4	4	0	0	0	0	0	0	0	0	0	0	4
**BREAK**																					
08:45 AM	0	0	0	0	0	0	0	0	0	0	0	0	0	0	0	0	0	0	1	1	1
Total	0	0	0	0	0	0	0	0	0	0	0	0	0	0	0	0	0	0	1	1	1
**BREAK**																					
04:15 PM	0	0	0	0	0	0	0	0	0	0	0	0	0	0	0	0	0	0	1	1	1
**BREAK**																					
Total	0	0	0	0	0	0	0	0	0	0	0	0	0	0	0	0	0	0	1	1	1
**BREAK**																					
06:15 PM	0	0	0	0	0	0	0	0	1	1	0	0	0	0	0	0	0	0	0	0	1
06:30 PM	0	0	0	0	0	0	0	0	0	0	0	0	0	0	0	0	0	0	2	2	2
**BREAK**																					
Total	0	0	0	0	0	0	0	0	1	1	0	0	0	0	0	0	0	0	2	2	3
Grand Total	0	0	0	0	0	0	0	0	5	5	0	0	0	0	0	0	0	0	5	5	10
Apprch %	0	0	0	0		0	0	0	100		0	0	0	0		0	0	0	100		
Total %	0	0	0	0		0	0	0	50	50	0	0	0	0		0	0	0	50	50	



# Sabra, Wang & Assoc, Inc

7055 Samuel Morse Dr, Suite 100  
Columbia, MD 21046

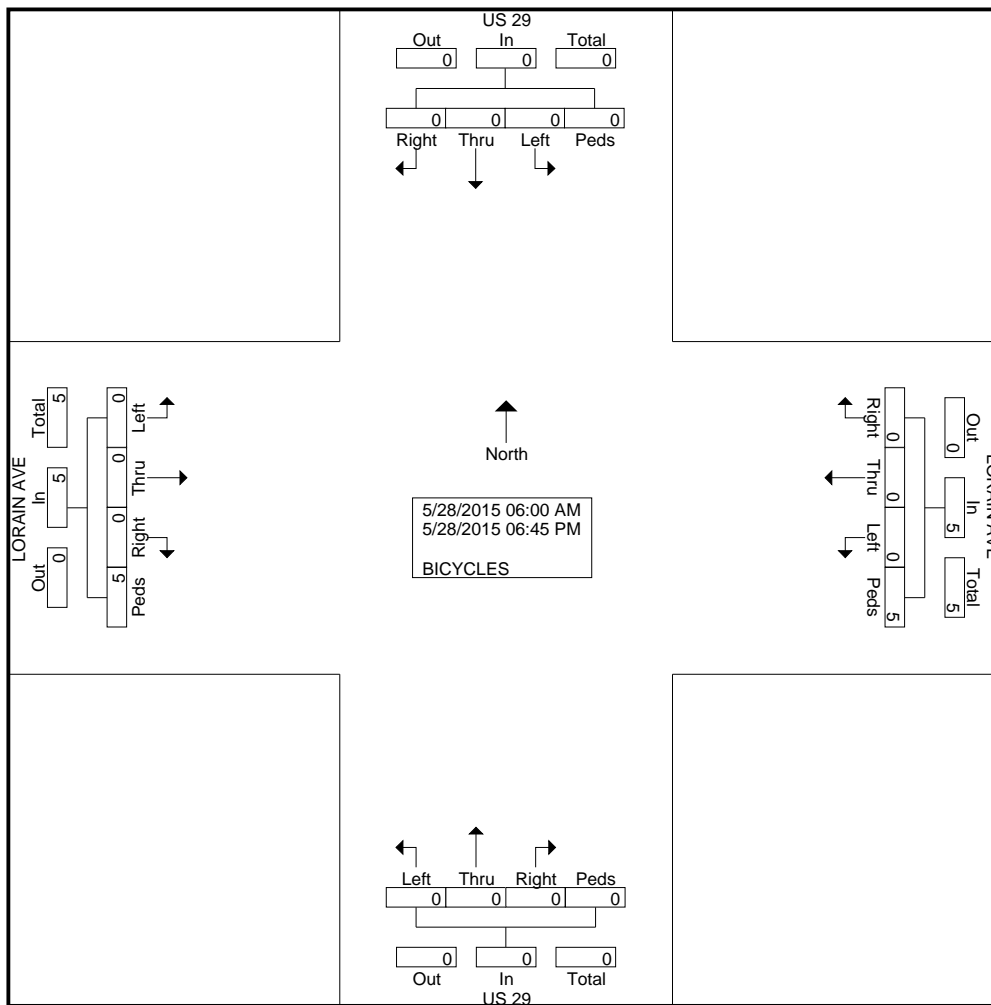
443-741-3500

File Name : US 29 at Lorain Ave

Site Code : 00000000

Start Date : 5/28/2015

Page No : 2

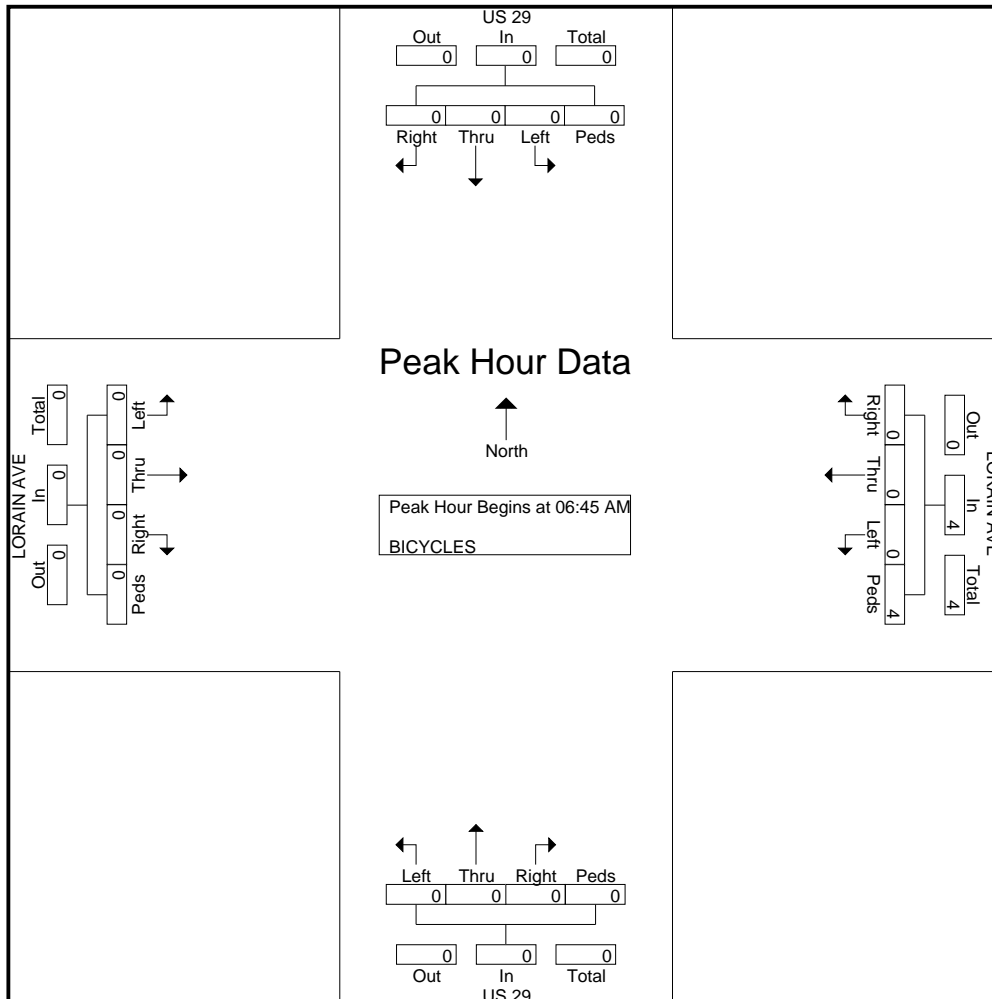


# Sabra, Wang & Assoc, Inc

7055 Samuel Morse Dr, Suite 100  
Columbia, MD 21046  
443-741-3500

File Name : US 29 at Lorain Ave  
Site Code : 00000000  
Start Date : 5/28/2015  
Page No : 3

Start Time	US 29 From North					LORAIN AVE From East					US 29 From South					LORAIN AVE From West					Int. Total
	Right	Thru	Left	Peds	App. Total	Right	Thru	Left	Peds	App. Total	Right	Thru	Left	Peds	App. Total	Right	Thru	Left	Peds	App. Total	
Peak Hour Analysis From 06:00 AM to 11:45 AM - Peak 1 of 1																					
Peak Hour for Entire Intersection Begins at 06:45 AM																					
06:45 AM	0	0	0	0	0	0	0	0	0	0	0	0	0	0	0	0	0	0	0	0	0
07:00 AM	0	0	0	0	0	0	0	0	1	1	0	0	0	0	0	0	0	0	0	0	1
07:15 AM	0	0	0	0	0	0	0	0	0	0	0	0	0	0	0	0	0	0	0	0	0
07:30 AM	0	0	0	0	0	0	0	0	3	3	0	0	0	0	0	0	0	0	0	0	3
Total Volume	0	0	0	0	0	0	0	0	4	4	0	0	0	0	0	0	0	0	0	0	4
% App. Total	0	0	0	0	0	0	0	0	100	100	0	0	0	0	0	0	0	0	0	0	0
PHF	.000	.000	.000	.000	.000	.000	.000	.000	.333	.333	.000	.000	.000	.000	.000	.000	.000	.000	.000	.000	.333



# Sabra, Wang & Assoc, Inc

7055 Samuel Morse Dr, Suite 100  
Columbia, MD 21046

443-741-3500

File Name : US 29 at Lorain Ave

Site Code : 00000000

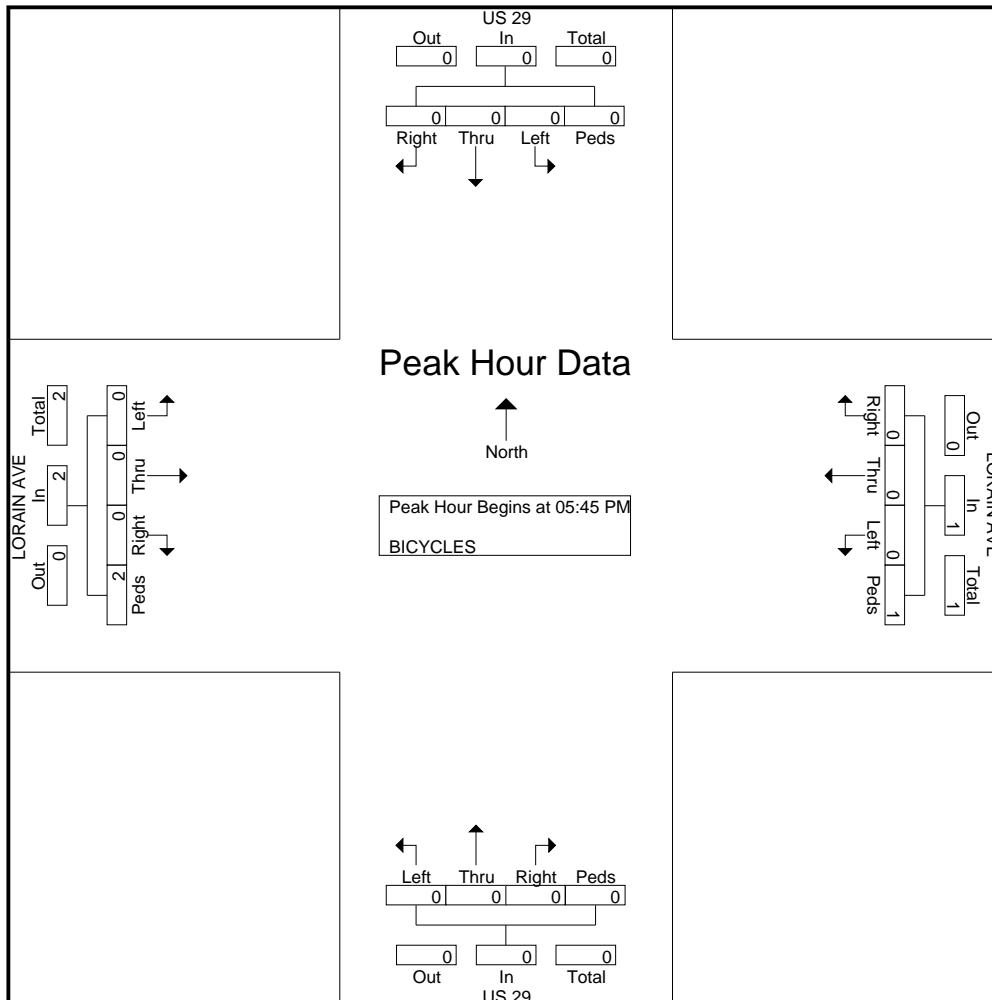
Start Date : 5/28/2015

Page No : 4

Start Time	US 29 From North					LORAIN AVE From East					US 29 From South					LORAIN AVE From West					Int. Total					
	Right	Thru	Left	Peds	App. Total	Right	Thru	Left	Peds	App. Total	Right	Thru	Left	Peds	App. Total	Right	Thru	Left	Peds	App. Total						
05:45 PM	0	0	0	0	0	0	0	0	0	0	0	0	0	0	0	0	0	0	0	0	0	0	0	0	0	0
06:00 PM	0	0	0	0	0	0	0	0	0	0	0	0	0	0	0	0	0	0	0	0	0	0	0	0	0	0
06:15 PM	0	0	0	0	0	0	0	0	1	1	0	0	0	0	0	0	0	0	0	0	0	0	0	0	0	1
06:30 PM	0	0	0	0	0	0	0	0	0	0	0	0	0	0	0	0	0	0	2	2	0	0	0	2	2	2
Total Volume	0	0	0	0	0	0	0	0	1	1	0	0	0	0	0	0	0	0	2	2	0	0	0	2	2	3
% App. Total	0	0	0	0	0	0	0	0	100		0	0	0	0		0	0	0	100							
PHF	.000	.000	.000	.000	.000	.000	.000	.000	.250	.250	.000	.000	.000	.000	.000	.000	.000	.000	.250	.250	.000	.000	.000	.250	.250	.375

Peak Hour Analysis From 12:00 PM to 06:45 PM - Peak 1 of 1

Peak Hour for Entire Intersection Begins at 05:45 PM



# Sabra, Wang & Assoc, Inc

7055 Samuel Morse Dr, Suite 100  
Columbia, MD 21046  
443-741-3500

Weather: SUNNY  
Counted By: MIKE  
Town: SILVER SPRING  
County: MONTGOMERY

File Name : US 29 at MD 193 EB  
Site Code : 00000000  
Start Date : 5/20/2015  
Page No : 1

Groups Printed- VEHS&PEDS

Start Time	US 29 From North					NO ENTRANCE From East					US 29 From South					MD 193 From West					Int. Total
	Right	Thru	Left	Peds	App. Total	Right	Thru	Left	Peds	App. Total	Right	Thru	Left	Peds	App. Total	Right	Thru	Left	Peds	App. Total	
06:00 AM	0	599	0	1	600	0	0	0	0	0	6	104	0	0	110	31	171	20	6	228	938
06:15 AM	0	795	0	0	795	0	0	0	1	1	14	136	0	1	151	47	198	31	9	285	1232
06:30 AM	0	869	0	0	869	0	0	0	2	2	15	167	0	3	185	43	218	40	8	309	1365
06:45 AM	0	877	0	7	884	0	0	0	3	3	31	238	0	7	276	44	230	44	4	322	1485
Total	0	3140	0	8	3148	0	0	0	6	6	66	645	0	11	722	165	817	135	27	1144	5020
07:00 AM	0	902	0	19	921	0	0	0	16	16	69	247	0	21	337	52	235	54	16	357	1631
07:15 AM	0	861	0	6	867	0	0	0	12	12	98	344	0	27	469	44	283	54	6	387	1735
07:30 AM	0	818	0	6	824	0	0	0	9	9	50	336	0	16	402	33	312	66	8	419	1654
07:45 AM	0	776	0	4	780	0	0	0	4	4	30	384	0	17	431	44	289	57	1	391	1606
Total	0	3357	0	35	3392	0	0	0	41	41	247	1311	0	81	1639	173	1119	231	31	1554	6626
08:00 AM	0	723	0	0	723	0	0	0	2	2	35	417	0	12	464	79	279	78	19	455	1644
08:15 AM	0	832	0	3	835	0	0	0	5	5	37	402	0	3	442	65	235	69	15	384	1666
08:30 AM	0	859	0	3	862	0	0	0	5	5	39	396	0	8	443	68	221	70	10	369	1679
08:45 AM	0	822	0	10	832	0	0	0	9	9	45	309	0	12	366	59	248	67	7	381	1588
Total	0	3236	0	16	3252	0	0	0	21	21	156	1524	0	35	1715	271	983	284	51	1589	6577
09:00 AM	0	811	0	7	818	0	0	0	15	15	67	368	0	11	446	60	248	65	12	385	1664
09:15 AM	0	826	0	5	831	0	0	0	5	5	55	311	0	10	376	52	257	63	8	380	1592
09:30 AM	0	585	0	3	588	0	0	0	3	3	56	295	0	11	362	79	270	109	5	463	1416
09:45 AM	0	573	0	8	581	0	0	0	13	13	29	294	0	7	330	70	220	70	8	368	1292
Total	0	2795	0	23	2818	0	0	0	36	36	207	1268	0	39	1514	261	995	307	33	1596	5964
**BREAK**																					
04:00 PM	0	482	0	9	491	0	0	0	21	21	61	627	0	7	695	50	327	110	12	499	1706
04:15 PM	0	483	0	9	492	0	0	0	14	14	50	653	0	20	723	51	274	110	24	459	1688
04:30 PM	0	484	0	4	488	0	0	0	4	4	47	645	0	7	699	52	299	111	12	474	1665
04:45 PM	0	452	0	9	461	0	0	0	8	8	60	635	0	28	723	57	312	109	24	502	1694
Total	0	1901	0	31	1932	0	0	0	47	47	218	2560	0	62	2840	210	1212	440	72	1934	6753
05:00 PM	0	455	0	1	456	0	0	0	7	7	57	673	0	3	733	43	321	93	5	462	1658
05:15 PM	0	589	0	2	591	0	0	0	7	7	54	632	0	4	690	57	341	94	22	514	1802
05:30 PM	0	521	0	1	522	0	0	0	4	4	68	690	0	10	768	40	321	105	14	480	1774

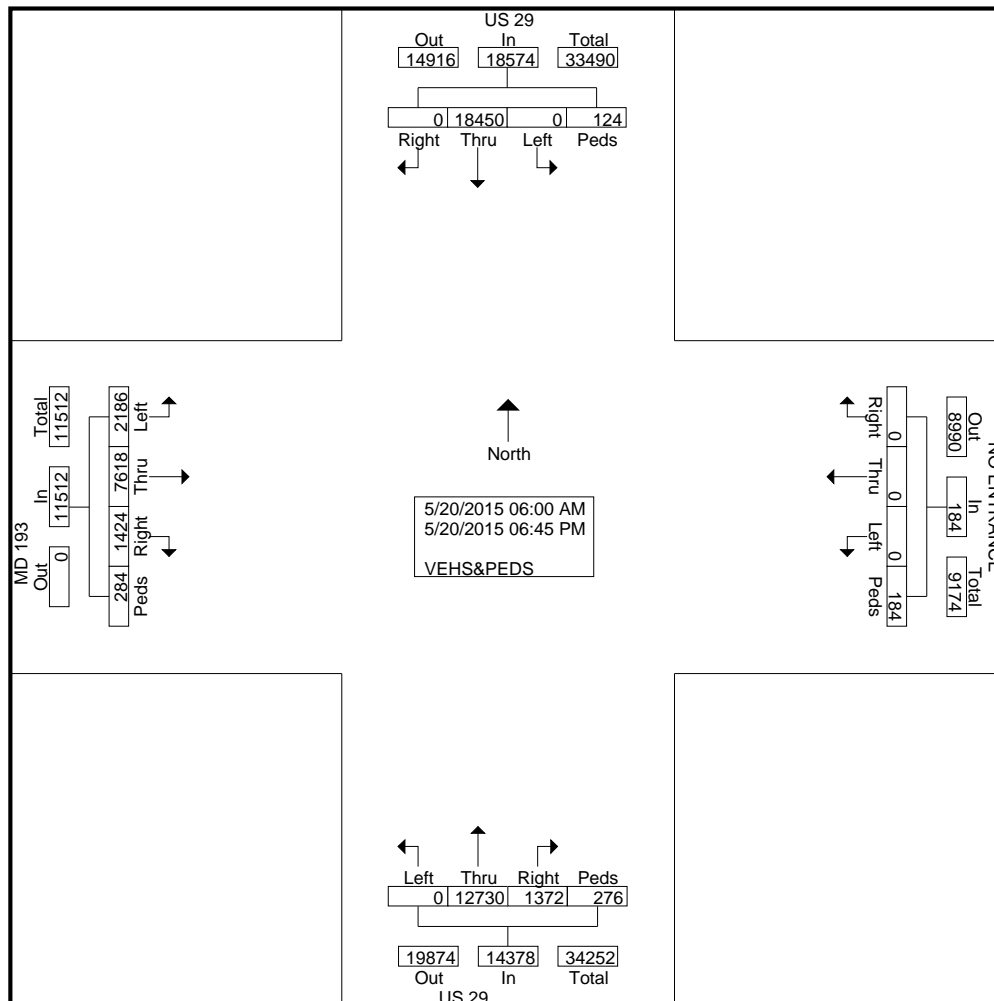
# Sabra, Wang & Assoc, Inc

7055 Samuel Morse Dr, Suite 100  
Columbia, MD 21046  
443-741-3500

File Name : US 29 at MD 193 EB  
Site Code : 00000000  
Start Date : 5/20/2015  
Page No : 2

## Groups Printed- VEHS&PEDS

Start Time	US 29 From North					NO ENTRANCE From East					US 29 From South					MD 193 From West					Int. Total
	Right	Thru	Left	Peds	App. Total	Right	Thru	Left	Peds	App. Total	Right	Thru	Left	Peds	App. Total	Right	Thru	Left	Peds	App. Total	
05:45 PM	0	490	0	3	493	0	0	0	2	2	52	632	0	15	699	43	289	93	13	438	1632
Total	0	2055	0	7	2062	0	0	0	20	20	231	2627	0	32	2890	183	1272	385	54	1894	6866
06:00 PM	0	502	0	0	502	0	0	0	3	3	54	746	0	5	805	52	312	95	7	466	1776
06:15 PM	0	486	0	3	489	0	0	0	4	4	71	689	0	4	764	38	332	108	5	483	1740
06:30 PM	0	525	0	0	525	0	0	0	1	1	64	699	0	5	768	32	295	103	3	433	1727
06:45 PM	0	453	0	1	454	0	0	0	5	5	58	661	0	2	721	39	281	98	1	419	1599
Total	0	1966	0	4	1970	0	0	0	13	13	247	2795	0	16	3058	161	1220	404	16	1801	6842
Grand Total	0	18450	0	124	18574	0	0	0	184	184	1372	12730	0	276	14378	1424	7618	2186	284	11512	44648
Apprch %	0	99.3	0	0.7		0	0	0	100		9.5	88.5	0	1.9		12.4	66.2	19	2.5		
Total %	0	41.3	0	0.3	41.6	0	0	0	0.4	0.4	3.1	28.5	0	0.6	32.2	3.2	17.1	4.9	0.6	25.8	



# Sabra, Wang & Assoc, Inc

7055 Samuel Morse Dr, Suite 100  
Columbia, MD 21046  
443-741-3500

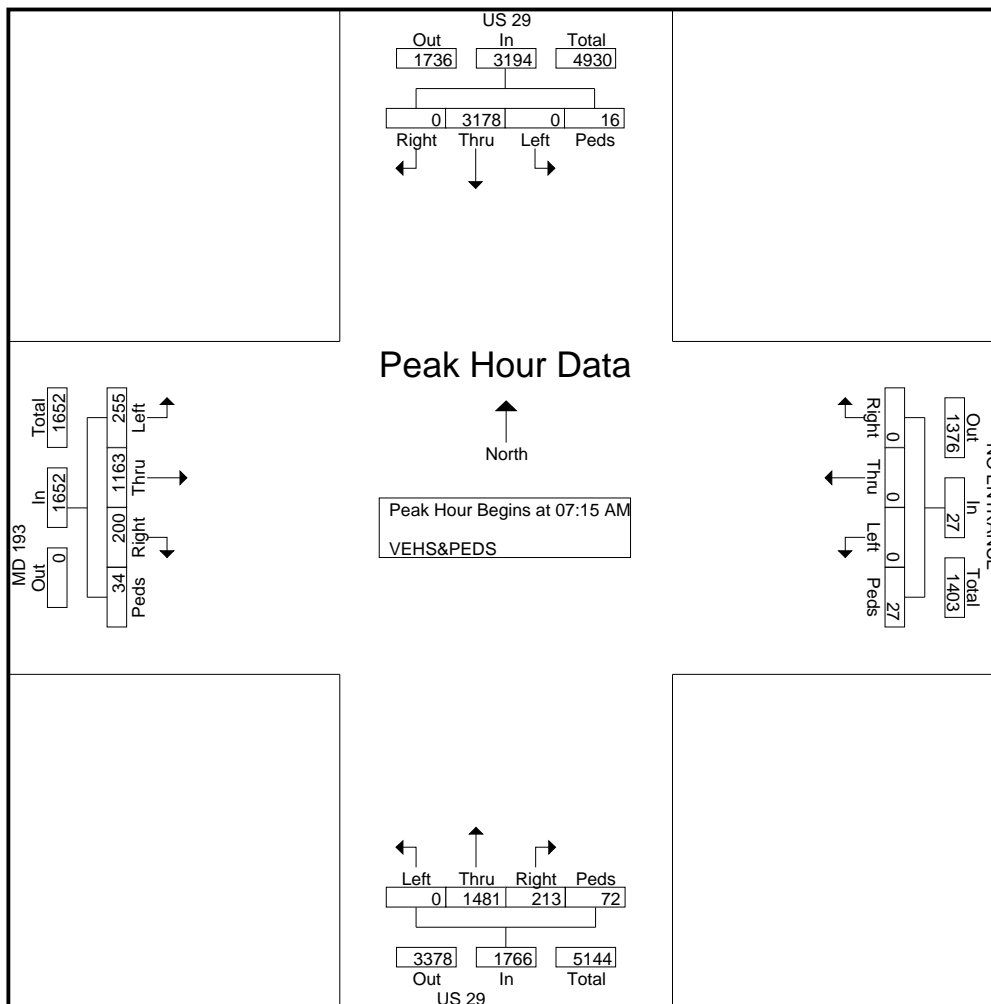
File Name : US 29 at MD 193 EB  
Site Code : 00000000  
Start Date : 5/20/2015  
Page No : 3

Start Time	US 29 From North					NO ENTRANCE From East					US 29 From South					MD 193 From West					Int. Total
	Right	Thru	Left	Peds	App. Total	Right	Thru	Left	Peds	App. Total	Right	Thru	Left	Peds	App. Total	Right	Thru	Left	Peds	App. Total	

Peak Hour Analysis From 06:00 AM to 11:45 AM - Peak 1 of 1

Peak Hour for Entire Intersection Begins at 07:15 AM

07:15 AM	0	861	0	6	867	0	0	0	12	12	98	344	0	27	469	44	283	54	6	387	1735
07:30 AM	0	818	0	6	824	0	0	0	9	9	50	336	0	16	402	33	312	66	8	419	1654
07:45 AM	0	776	0	4	780	0	0	0	4	4	30	384	0	17	431	44	289	57	1	391	1606
08:00 AM	0	723	0	0	723	0	0	0	2	2	35	417	0	12	464	79	279	78	19	455	1644
Total Volume	0	3178	0	16	3194	0	0	0	27	27	213	1481	0	72	1766	200	1163	255	34	1652	6639
% App. Total	0	99.5	0	0.5		0	0	0	100		12.1	83.9	0	4.1		12.1	70.4	15.4	2.1		
PHF	.000	.923	.000	.667	.921	.000	.000	.000	.563	.563	.543	.888	.000	.667	.941	.633	.932	.817	.447	.908	.957



# Sabra, Wang & Assoc, Inc

7055 Samuel Morse Dr, Suite 100  
Columbia, MD 21046

443-741-3500

File Name : US 29 at MD 193 EB

Site Code : 00000000

Start Date : 5/20/2015

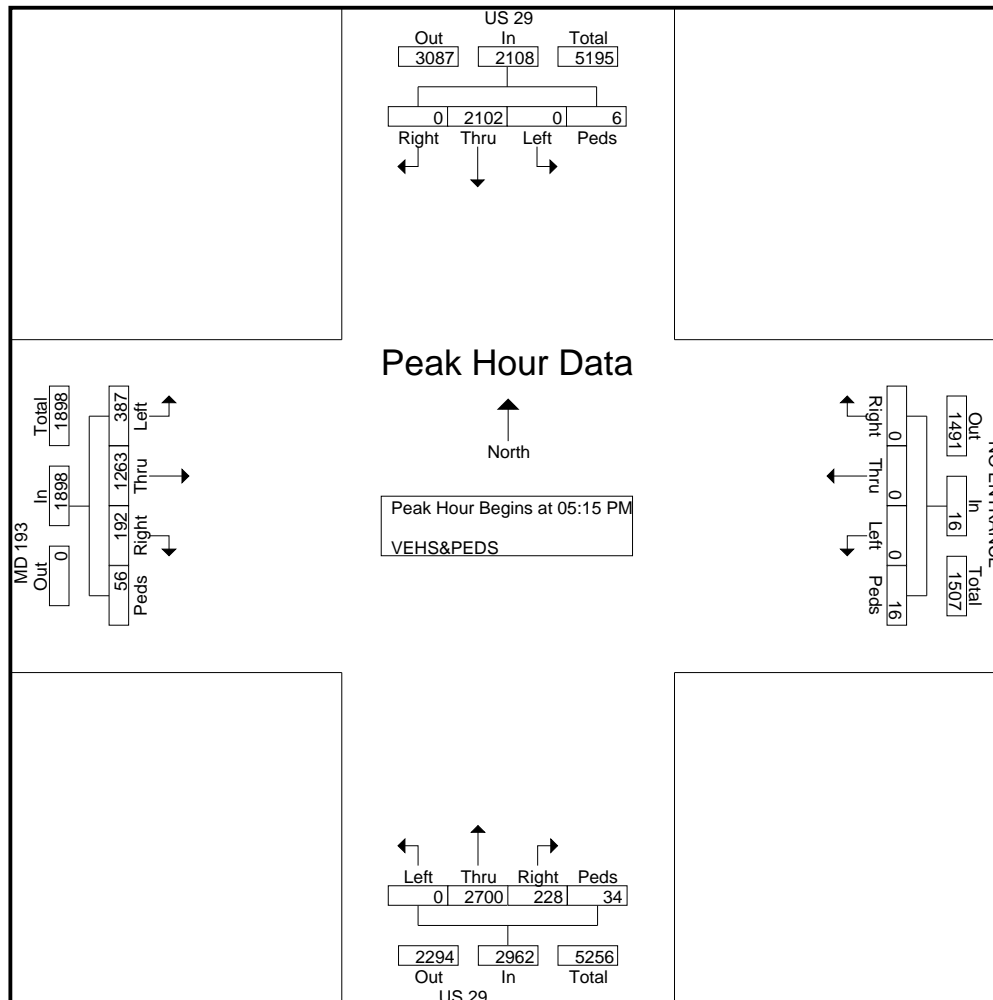
Page No : 4

Start Time	US 29 From North					NO ENTRANCE From East					US 29 From South					MD 193 From West					Int. Total
	Right	Thru	Left	Peds	App. Total	Right	Thru	Left	Peds	App. Total	Right	Thru	Left	Peds	App. Total	Right	Thru	Left	Peds	App. Total	

Peak Hour Analysis From 12:00 PM to 06:45 PM - Peak 1 of 1

Peak Hour for Entire Intersection Begins at 05:15 PM

05:15 PM	0	<b>589</b>	0	2	<b>591</b>	0	0	0	<b>7</b>	<b>7</b>	54	632	0	4	690	<b>57</b>	<b>341</b>	94	<b>22</b>	<b>514</b>	<b>1802</b>
05:30 PM	0	521	0	1	522	0	0	0	4	4	<b>68</b>	690	0	10	768	40	321	<b>105</b>	14	480	1774
05:45 PM	0	490	0	<b>3</b>	493	0	0	0	2	2	52	632	0	<b>15</b>	699	43	289	93	13	438	1632
06:00 PM	0	502	0	0	502	0	0	0	3	3	54	<b>746</b>	0	5	<b>805</b>	52	312	95	7	466	1776
Total Volume	0	2102	0	6	2108	0	0	0	16	16	228	2700	0	34	2962	192	1263	387	56	1898	6984
% App. Total	0	99.7	0	0.3		0	0	0	100		7.7	91.2	0	1.1		10.1	66.5	20.4	3		
PHF	.000	.892	.000	.500	.892	.000	.000	.000	.571	.571	.838	.905	.000	.567	.920	.842	.926	.921	.636	.923	.969



# Sabra, Wang & Assoc, Inc

7055 Samuel Morse Dr, Suite 100  
Columbia, MD 21046  
443-741-3500

Weather: SUNNY  
Counted By: MIKE  
Town: SILVER SPRING  
County: MONTGOMERY

File Name : US 29 at MD 193 EB  
Site Code : 00000000  
Start Date : 5/20/2015  
Page No : 1

## Groups Printed- BICYCLES

Start Time	US 29 From North					NO ENTRANCE From East					US 29 From South					MD 193 From West					Int. Total
	Right	Thru	Left	Peds	App. Total	Right	Thru	Left	Peds	App. Total	Right	Thru	Left	Peds	App. Total	Right	Thru	Left	Peds	App. Total	
06:00 AM	0	0	0	0	0	0	0	0	1	1	0	0	0	0	0	0	0	0	0	0	1
06:15 AM	0	0	0	0	0	0	0	0	0	0	0	0	0	1	1	0	0	0	0	0	1
**BREAK**																					
06:45 AM	0	0	0	0	0	0	0	0	0	0	0	0	0	1	1	0	0	0	1	1	2
Total	0	0	0	0	0	0	0	0	1	1	0	0	0	2	2	0	0	0	1	1	4
**BREAK**																					
07:45 AM	0	0	0	0	0	0	0	0	1	1	0	0	0	1	1	0	0	0	0	0	2
Total	0	0	0	0	0	0	0	0	1	1	0	0	0	1	1	0	0	0	0	0	2
08:00 AM	0	0	0	0	0	0	0	0	0	0	0	0	0	1	1	0	0	0	0	0	1
**BREAK**																					
08:45 AM	0	0	0	0	0	0	0	0	0	0	0	0	0	2	2	0	0	0	0	0	2
Total	0	0	0	0	0	0	0	0	0	0	0	0	0	3	3	0	0	0	0	0	3
09:00 AM	0	0	0	0	0	0	0	0	1	1	0	0	0	1	1	0	0	0	0	0	2
09:15 AM	0	0	0	0	0	0	0	0	0	0	0	0	0	1	1	0	0	0	0	0	1
**BREAK**																					
09:45 AM	0	0	0	0	0	0	0	0	0	0	0	0	0	1	1	0	0	0	0	0	1
Total	0	0	0	0	0	0	0	0	1	1	0	0	0	3	3	0	0	0	0	0	4
**BREAK**																					
04:00 PM	0	0	0	0	0	0	0	0	1	1	0	0	0	0	0	0	0	0	2	2	3
**BREAK**																					
04:30 PM	0	0	0	0	0	0	0	0	1	1	0	0	0	2	2	0	0	0	0	0	3
04:45 PM	0	0	0	0	0	0	0	0	0	0	0	0	0	2	2	0	0	0	1	1	3
Total	0	0	0	0	0	0	0	0	2	2	0	0	0	4	4	0	0	0	3	3	9
05:00 PM	0	0	0	0	0	0	0	0	1	1	0	0	0	0	0	0	0	0	0	0	1
05:15 PM	0	0	0	0	0	0	0	0	0	0	0	0	0	0	0	0	0	0	2	2	2
**BREAK**																					
05:45 PM	0	0	0	0	0	0	0	0	0	0	0	0	0	1	1	0	0	0	0	0	1
Total	0	0	0	0	0	0	0	0	1	1	0	0	0	1	1	0	0	0	2	2	4
**BREAK**																					
06:30 PM	0	0	0	1	1	0	0	0	1	1	0	0	0	0	0	0	0	0	0	0	2
**BREAK**																					
Total	0	0	0	1	1	0	0	0	1	1	0	0	0	0	0	0	0	0	0	0	2



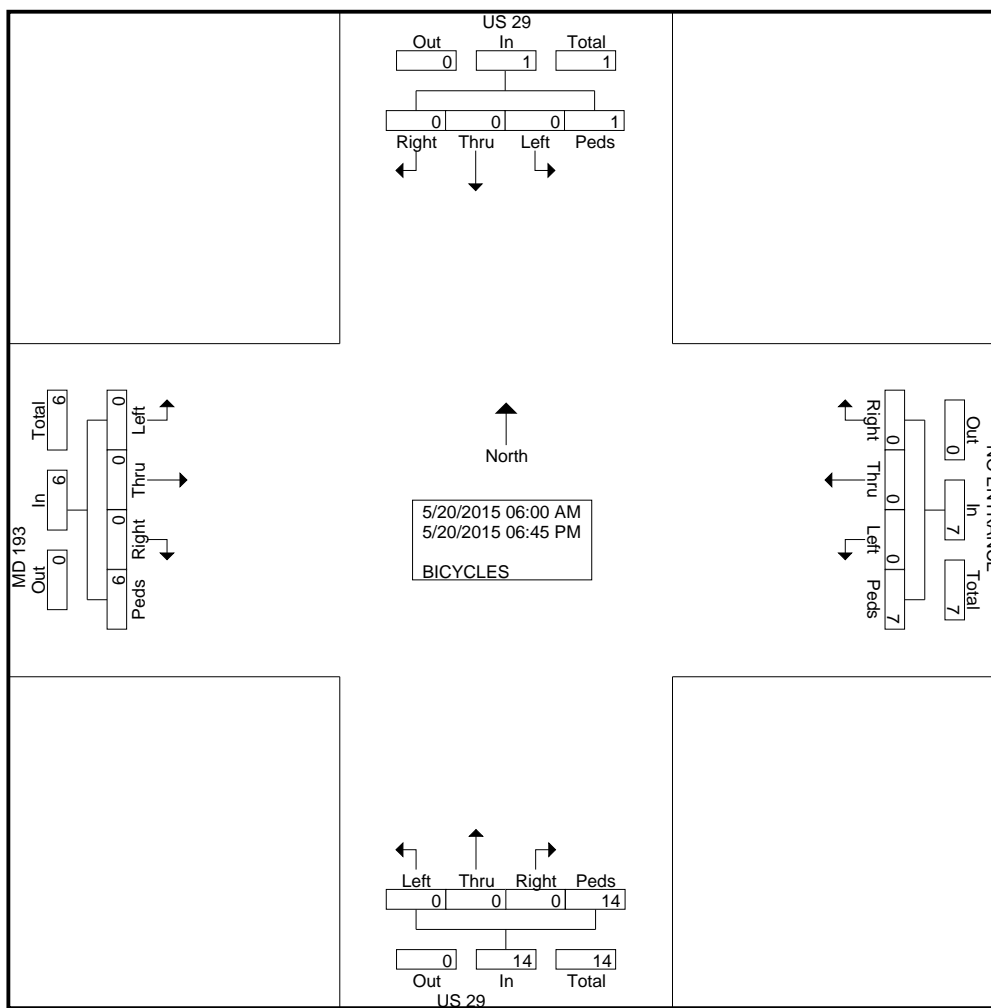
# Sabra, Wang & Assoc, Inc

7055 Samuel Morse Dr, Suite 100  
Columbia, MD 21046  
443-741-3500

File Name : US 29 at MD 193 EB  
Site Code : 00000000  
Start Date : 5/20/2015  
Page No : 2

## Groups Printed- BICYCLES

	US 29 From North					NO ENTRANCE From East					US 29 From South					MD 193 From West					Int. Total
	Right	Thru	Left	Peds	App. Total	Right	Thru	Left	Peds	App. Total	Right	Thru	Left	Peds	App. Total	Right	Thru	Left	Peds	App. Total	
Grand Total	0	0	0	1	1	0	0	0	7	7	0	0	0	14	14	0	0	0	6	6	28
Apprch %	0	0	0	100		0	0	0	100		0	0	0	100		0	0	0	100		
Total %	0	0	0	3.6	3.6	0	0	0	25	25	0	0	0	50	50	0	0	0	21.4	21.4	



# Sabra, Wang & Assoc, Inc

7055 Samuel Morse Dr, Suite 100  
Columbia, MD 21046  
443-741-3500

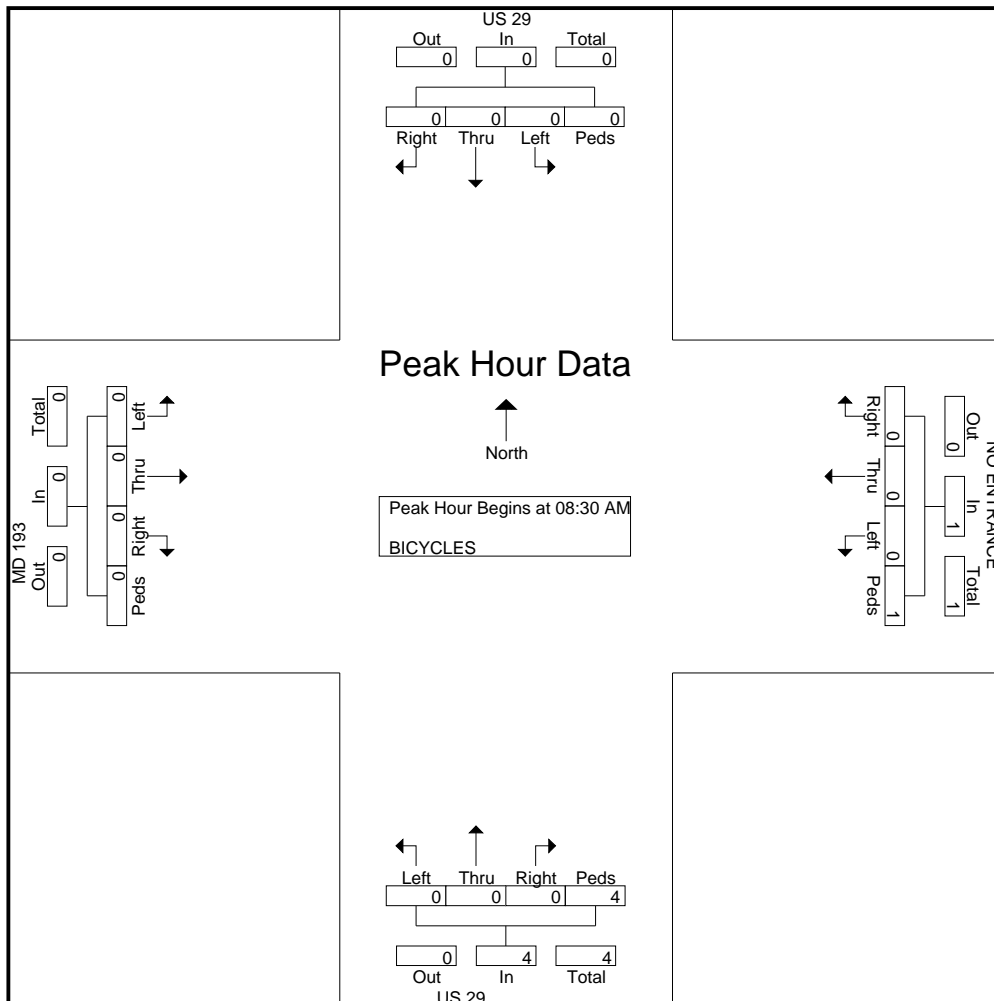
File Name : US 29 at MD 193 EB  
Site Code : 00000000  
Start Date : 5/20/2015  
Page No : 3

Start Time	US 29 From North					NO ENTRANCE From East					US 29 From South					MD 193 From West					Int. Total
	Right	Thru	Left	Peds	App. Total	Right	Thru	Left	Peds	App. Total	Right	Thru	Left	Peds	App. Total	Right	Thru	Left	Peds	App. Total	

Peak Hour Analysis From 06:00 AM to 11:45 AM - Peak 1 of 1

Peak Hour for Entire Intersection Begins at 08:30 AM

08:30 AM	0	0	0	0	0	0	0	0	0	0	0	0	0	0	0	0	0	0	0	0	0
08:45 AM	0	0	0	0	0	0	0	0	0	0	0	0	0	2	2	0	0	0	0	0	2
09:00 AM	0	0	0	0	0	0	0	0	1	1	0	0	0	1	1	0	0	0	0	0	2
09:15 AM	0	0	0	0	0	0	0	0	0	0	0	0	0	1	1	0	0	0	0	0	1
Total Volume	0	0	0	0	0	0	0	0	1	1	0	0	0	4	4	0	0	0	0	0	5
% App. Total	0	0	0	0	0	0	0	0	100	100	0	0	0	100	100	0	0	0	0	0	
PHF	.000	.000	.000	.000	.000	.000	.000	.000	.250	.250	.000	.000	.000	.500	.500	.000	.000	.000	.000	.000	.625



# Sabra, Wang & Assoc, Inc

7055 Samuel Morse Dr, Suite 100  
Columbia, MD 21046

443-741-3500

File Name : US 29 at MD 193 EB

Site Code : 00000000

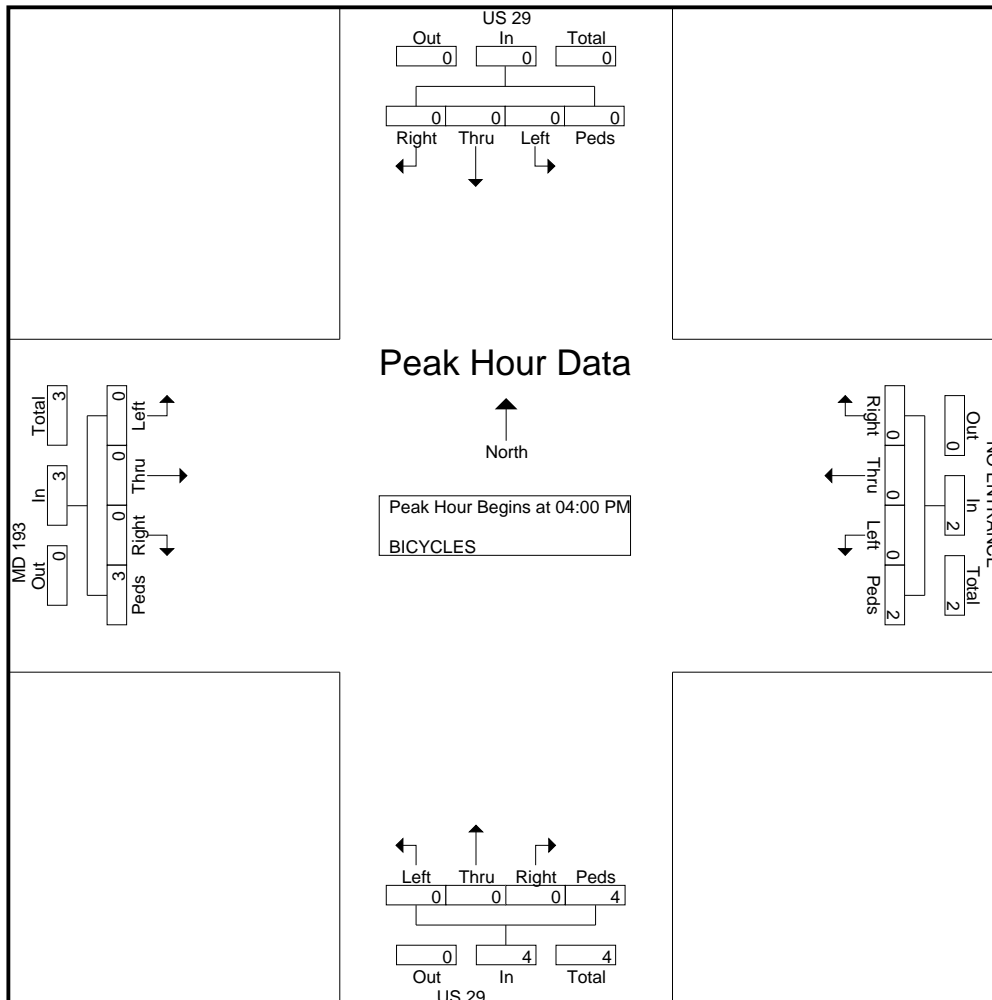
Start Date : 5/20/2015

Page No : 4

Start Time	US 29 From North					NO ENTRANCE From East					US 29 From South					MD 193 From West					Int. Total
	Right	Thru	Left	Peds	App. Total	Right	Thru	Left	Peds	App. Total	Right	Thru	Left	Peds	App. Total	Right	Thru	Left	Peds	App. Total	
04:00 PM	0	0	0	0	0	0	0	0	1	1	0	0	0	0	0	0	0	0	2	2	3
04:15 PM	0	0	0	0	0	0	0	0	0	0	0	0	0	0	0	0	0	0	0	0	0
04:30 PM	0	0	0	0	0	0	0	0	1	1	0	0	0	2	2	0	0	0	0	0	3
04:45 PM	0	0	0	0	0	0	0	0	0	0	0	0	0	2	2	0	0	0	1	1	3
Total Volume	0	0	0	0	0	0	0	0	2	2	0	0	0	4	4	0	0	0	3	3	9
% App. Total	0	0	0	0		0	0	0	100		0	0	0	100		0	0	0	100		
PHF	.000	.000	.000	.000	.000	.000	.000	.000	.500	.500	.000	.000	.000	.500	.500	.000	.000	.000	.375	.375	.750

Peak Hour Analysis From 12:00 PM to 06:45 PM - Peak 1 of 1

Peak Hour for Entire Intersection Begins at 04:00 PM



# Sabra, Wang & Assoc, Inc

7055 Samuel Morse Dr, Suite 100  
Columbia, MD 21046  
443-741-3500

Weather: SUNNY  
Counted By: MIKE  
Town: SILVER SPRING  
County: MONTGOMERY

File Name : US 29 at MD 193 WB  
Site Code : 00000000  
Start Date : 5/20/2015  
Page No : 1

Groups Printed- VEHS&PEDS

Start Time	US 29 From North					MD 193 From East					US 29 From South					NO ENTRANCE From West					Int. Total
	Right	Thru	Left	Peds	App. Total	Right	Thru	Left	Peds	App. Total	Right	Thru	Left	Peds	App. Total	Right	Thru	Left	Peds	App. Total	
06:00 AM	33	579	0	2	614	21	169	20	1	211	0	124	0	0	124	0	0	0	6	6	955
06:15 AM	39	757	0	1	797	12	198	38	2	250	0	167	0	5	172	0	0	0	10	10	1229
06:30 AM	22	819	0	2	843	12	244	50	2	308	0	207	0	1	208	0	0	0	11	11	1370
06:45 AM	23	806	0	4	833	10	267	71	1	349	0	282	0	2	284	0	0	0	10	10	1476
Total	117	2961	0	9	3087	55	878	179	6	1118	0	780	0	8	788	0	0	0	37	37	5030
07:00 AM	31	829	0	8	868	16	258	73	4	351	0	301	0	9	310	0	0	0	14	14	1543
07:15 AM	25	785	0	4	814	26	273	76	11	386	0	398	0	12	410	0	0	0	6	6	1616
07:30 AM	22	743	0	6	771	14	261	75	4	354	0	402	0	8	410	0	0	0	5	5	1540
07:45 AM	29	710	0	13	752	25	320	66	6	417	0	441	0	5	446	0	0	0	12	12	1627
Total	107	3067	0	31	3205	81	1112	290	25	1508	0	1542	0	34	1576	0	0	0	37	37	6326
08:00 AM	35	746	0	10	791	19	295	77	0	391	0	495	0	0	495	0	0	0	18	18	1695
08:15 AM	33	807	0	6	846	15	277	75	7	374	0	471	0	3	474	0	0	0	20	20	1714
08:30 AM	43	796	0	8	847	18	254	63	8	343	0	466	0	3	469	0	0	0	13	13	1672
08:45 AM	46	797	0	4	847	27	185	75	3	290	0	426	0	0	426	0	0	0	5	5	1568
Total	157	3146	0	28	3331	79	1011	290	18	1398	0	1858	0	6	1864	0	0	0	56	56	6649
09:00 AM	53	740	0	9	802	34	261	71	7	373	0	433	0	2	435	0	0	0	10	10	1620
09:15 AM	53	751	0	4	808	29	269	75	20	393	0	374	0	2	376	0	0	0	7	7	1584
09:30 AM	37	508	0	12	557	27	280	77	3	387	0	404	0	3	407	0	0	0	17	17	1368
09:45 AM	40	513	0	3	556	40	252	60	2	354	0	364	1	3	368	0	0	0	10	10	1288
Total	183	2512	0	28	2723	130	1062	283	32	1507	0	1575	1	10	1586	0	0	0	44	44	5860
**BREAK**																					
04:00 PM	62	442	0	14	518	50	327	40	11	428	0	737	0	8	745	0	0	0	16	16	1707
04:15 PM	59	412	0	4	475	56	348	71	5	480	0	763	0	4	767	0	0	0	20	20	1742
04:30 PM	78	423	0	11	512	57	380	61	1	499	0	756	0	8	764	0	0	0	16	16	1791
04:45 PM	61	411	0	10	482	42	355	41	4	442	0	744	0	9	753	0	0	0	21	21	1698
Total	260	1688	0	39	1987	205	1410	213	21	1849	0	3000	0	29	3029	0	0	0	73	73	6938
05:00 PM	61	397	0	19	477	51	368	48	5	472	0	766	0	0	766	0	0	0	10	10	1725
05:15 PM	67	549	0	14	630	47	320	40	6	413	0	726	0	2	728	0	0	0	21	21	1792
05:30 PM	62	462	0	12	536	42	356	59	5	462	0	795	0	2	797	0	0	0	16	16	1811

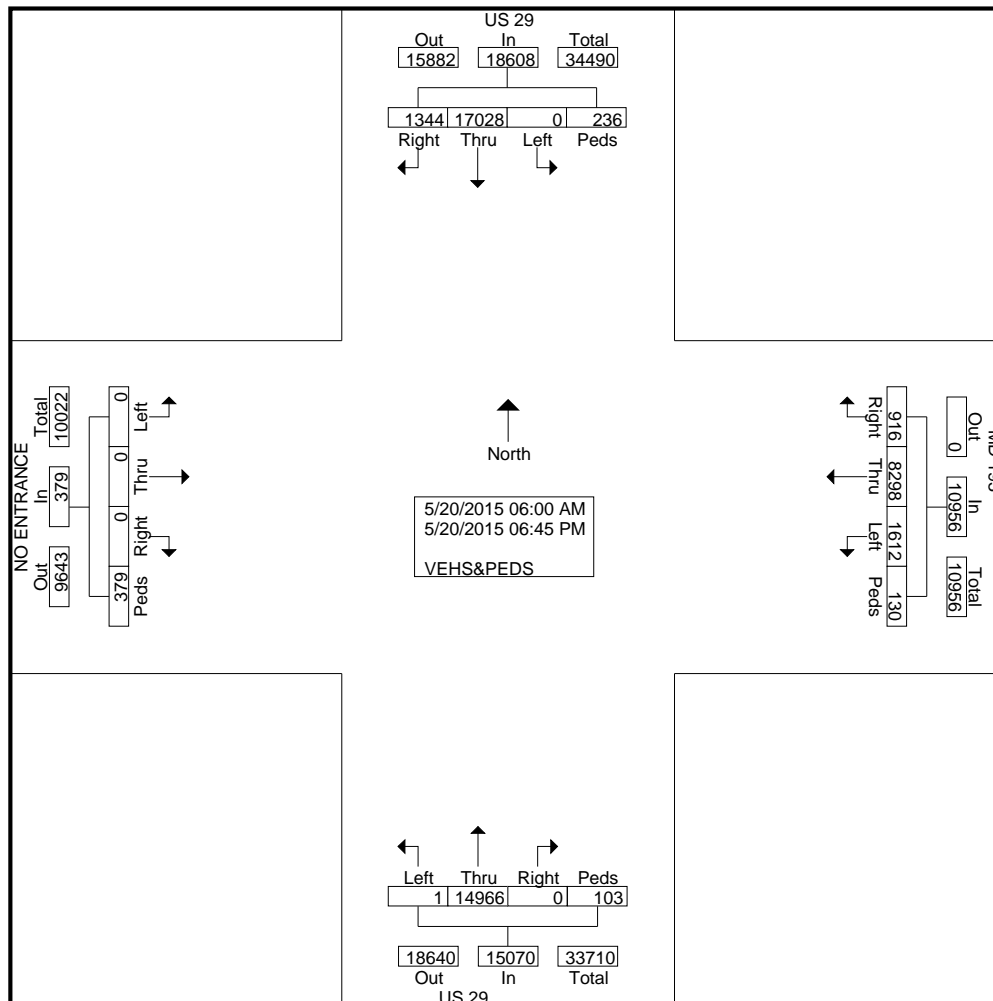
# Sabra, Wang & Assoc, Inc

7055 Samuel Morse Dr, Suite 100  
Columbia, MD 21046  
443-741-3500

File Name : US 29 at MD 193 WB  
Site Code : 00000000  
Start Date : 5/20/2015  
Page No : 2

## Groups Printed- VEHS&PEDS

Start Time	US 29 From North					MD 193 From East					US 29 From South					NO ENTRANCE From West					Int. Total
	Right	Thru	Left	Peds	App. Total	Right	Thru	Left	Peds	App. Total	Right	Thru	Left	Peds	App. Total	Right	Thru	Left	Peds	App. Total	
05:45 PM	66	447	0	18	531	42	364	43	3	452	0	725	0	4	729	0	0	0	25	25	1737
Total	256	1855	0	63	2174	182	1408	190	19	1799	0	3012	0	8	3020	0	0	0	72	72	7065
06:00 PM	61	464	0	6	531	41	368	38	2	449	0	841	0	4	845	0	0	0	14	14	1839
06:15 PM	65	434	0	13	512	53	343	52	3	451	0	797	0	0	797	0	0	0	14	14	1774
06:30 PM	70	486	0	8	564	41	356	39	1	437	0	802	0	1	803	0	0	0	18	18	1822
06:45 PM	68	415	0	11	494	49	350	38	3	440	0	759	0	3	762	0	0	0	14	14	1710
Total	264	1799	0	38	2101	184	1417	167	9	1777	0	3199	0	8	3207	0	0	0	60	60	7145
Grand Total	1344	17028	0	236	18608	916	8298	1612	130	10956	0	14966	1	103	15070	0	0	0	379	379	45013
Apprch %	7.2	91.5	0	1.3		8.4	75.7	14.7	1.2		0	99.3	0	0.7		0	0	0	100		
Total %	3	37.8	0	0.5	41.3	2	18.4	3.6	0.3	24.3	0	33.2	0	0.2	33.5	0	0	0	0.8	0.8	



# Sabra, Wang & Assoc, Inc

7055 Samuel Morse Dr, Suite 100  
Columbia, MD 21046  
443-741-3500

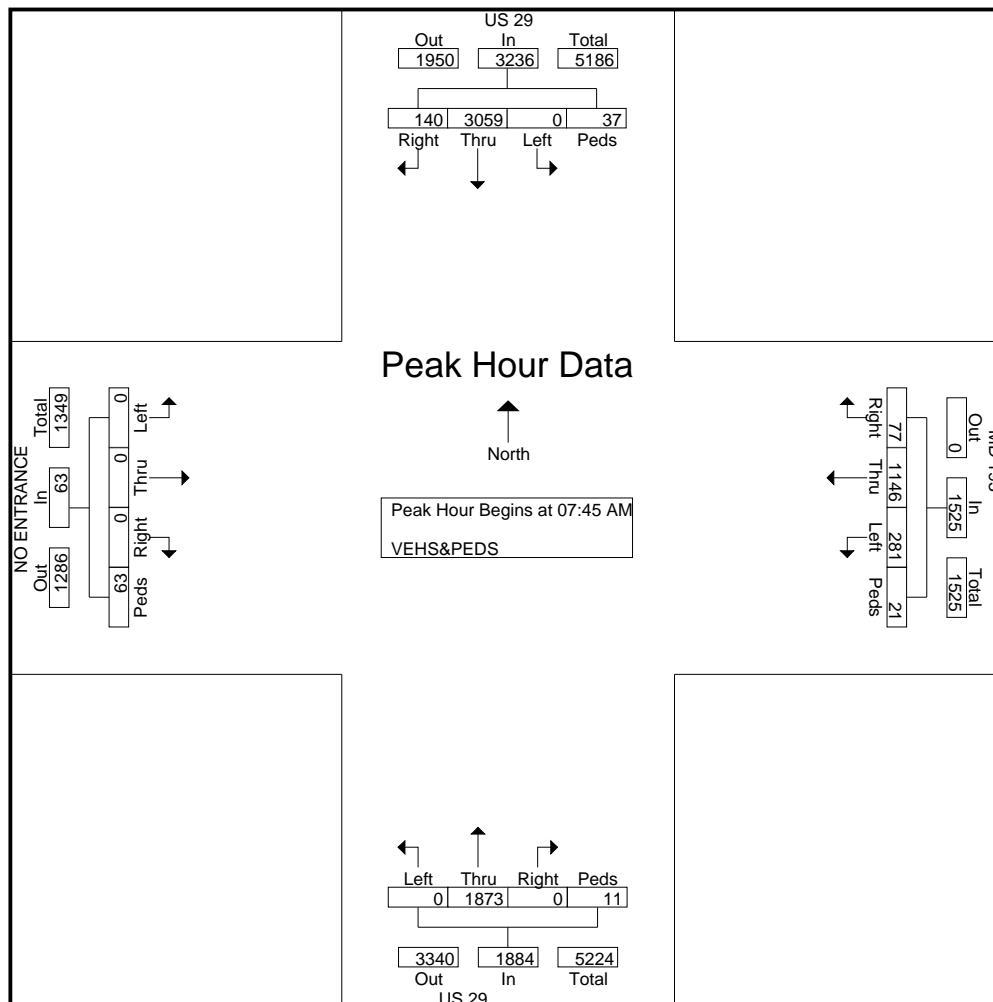
File Name : US 29 at MD 193 WB  
Site Code : 00000000  
Start Date : 5/20/2015  
Page No : 3

Start Time	US 29 From North					MD 193 From East					US 29 From South					NO ENTRANCE From West					Int. Total
	Right	Thru	Left	Peds	App. Total	Right	Thru	Left	Peds	App. Total	Right	Thru	Left	Peds	App. Total	Right	Thru	Left	Peds	App. Total	

Peak Hour Analysis From 06:00 AM to 11:45 AM - Peak 1 of 1

Peak Hour for Entire Intersection Begins at 07:45 AM

07:45 AM	29	710	0	13	752	25	320	66	6	417	0	441	0	5	446	0	0	0	12	12	1627
08:00 AM	35	746	0	10	791	19	295	77	0	391	0	495	0	0	495	0	0	0	18	18	1695
08:15 AM	33	807	0	6	846	15	277	75	7	374	0	471	0	3	474	0	0	0	20	20	1714
08:30 AM	43	796	0	8	847	18	254	63	8	343	0	466	0	3	469	0	0	0	13	13	1672
Total Volume	140	3059	0	37	3236	77	1146	281	21	1525	0	1873	0	11	1884	0	0	0	63	63	6708
% App. Total	4.3	94.5	0	1.1		5	75.1	18.4	1.4		0	99.4	0	0.6		0	0	0	100		
PHF	.814	.948	.000	.712	.955	.770	.895	.912	.656	.914	.000	.946	.000	.550	.952	.000	.000	.000	.788	.788	.978



# Sabra, Wang & Assoc, Inc

7055 Samuel Morse Dr, Suite 100  
Columbia, MD 21046

443-741-3500

File Name : US 29 at MD 193 WB

Site Code : 00000000

Start Date : 5/20/2015

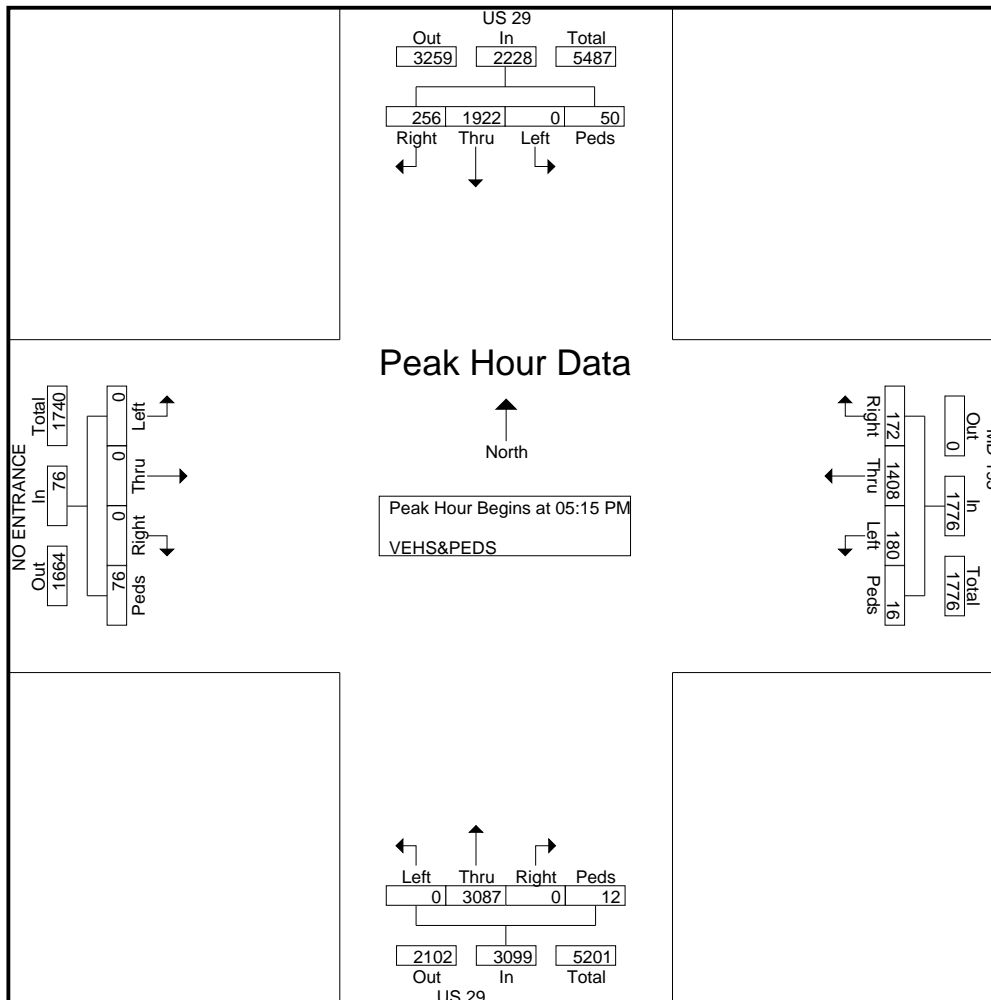
Page No : 4

Start Time	US 29 From North					MD 193 From East					US 29 From South					NO ENTRANCE From West					Int. Total
	Right	Thru	Left	Peds	App. Total	Right	Thru	Left	Peds	App. Total	Right	Thru	Left	Peds	App. Total	Right	Thru	Left	Peds	App. Total	

Peak Hour Analysis From 12:00 PM to 06:45 PM - Peak 1 of 1

Peak Hour for Entire Intersection Begins at 05:15 PM

05:15 PM	67	549	0	14	630	47	320	40	6	413	0	726	0	2	728	0	0	0	21	21	1792
05:30 PM	62	462	0	12	536	42	356	59	5	462	0	795	0	2	797	0	0	0	16	16	1811
05:45 PM	66	447	0	18	531	42	364	43	3	452	0	725	0	4	729	0	0	0	25	25	1737
06:00 PM	61	464	0	6	531	41	368	38	2	449	0	841	0	4	845	0	0	0	14	14	1839
Total Volume	256	1922	0	50	2228	172	1408	180	16	1776	0	3087	0	12	3099	0	0	0	76	76	7179
% App. Total	11.5	86.3	0	2.2		9.7	79.3	10.1	0.9		0	99.6	0	0.4		0	0	0	100		
PHF	.955	.875	.000	.694	.884	.915	.957	.763	.667	.961	.000	.918	.000	.750	.917	.000	.000	.000	.760	.760	.976



# Sabra, Wang & Assoc, Inc

7055 Samuel Morse Dr, Suite 100  
Columbia, MD 21046  
*443-741-3500*

Weather: SUNNY  
Counted By: MIKE  
Town: SILVER SPRING  
County: MONTGOMERY

File Name : US 29 at MD 193 WB  
Site Code : 00000000  
Start Date : 5/20/2015  
Page No : 1

Groups Printed- BICYCLES

Start Time	US 29 From North					MD 193 From East					US 29 From South					NO ENTRANCE From West					Int. Total
	Right	Thru	Left	Peds	App. Total	Right	Thru	Left	Peds	App. Total	Right	Thru	Left	Peds	App. Total	Right	Thru	Left	Peds	App. Total	
06:00 AM	0	0	0	0	0	0	0	0	1	1	0	0	0	0	0	0	0	0	0	0	1
**BREAK**																					
06:45 AM	0	0	0	0	0	0	0	0	0	0	0	0	0	0	0	0	0	0	1	1	1
Total	0	0	0	0	0	0	0	0	1	1	0	0	0	0	0	0	0	0	1	1	2
**BREAK**																					
07:30 AM	0	0	0	1	1	0	0	0	0	0	0	0	0	0	0	0	0	0	1	1	2
**BREAK**																					
Total	0	0	0	1	1	0	0	0	0	0	0	0	0	0	0	0	0	0	1	1	2
**BREAK**																					
08:30 AM	0	0	0	0	0	0	1	0	2	3	0	0	0	2	2	0	0	0	0	0	5
**BREAK**																					
Total	0	0	0	0	0	0	1	0	2	3	0	0	0	2	2	0	0	0	0	0	5
**BREAK**																					
05:15 PM	0	1	0	1	2	0	0	0	0	0	0	0	0	0	0	0	0	0	2	2	4
**BREAK**																					
Total	0	1	0	1	2	0	0	0	0	0	0	0	0	0	0	0	0	0	2	2	4
06:00 PM	0	0	0	0	0	0	0	0	0	0	0	1	0	0	1	0	0	0	1	1	2
**BREAK**																					
Total	0	0	0	0	0	0	0	0	0	0	0	1	0	0	1	0	0	0	1	1	2
Grand Total	0	1	0	2	3	0	1	0	3	4	0	1	0	2	3	0	0	0	5	5	15
Apprch %	0	33.3	0	66.7		0	25	0	75		0	33.3	0	66.7		0	0	0	100		
Total %	0	6.7	0	13.3	20	0	6.7	0	20	26.7	0	6.7	0	13.3	20	0	0	0	33.3	33.3	



# Sabra, Wang & Assoc, Inc

7055 Samuel Morse Dr, Suite 100  
Columbia, MD 21046

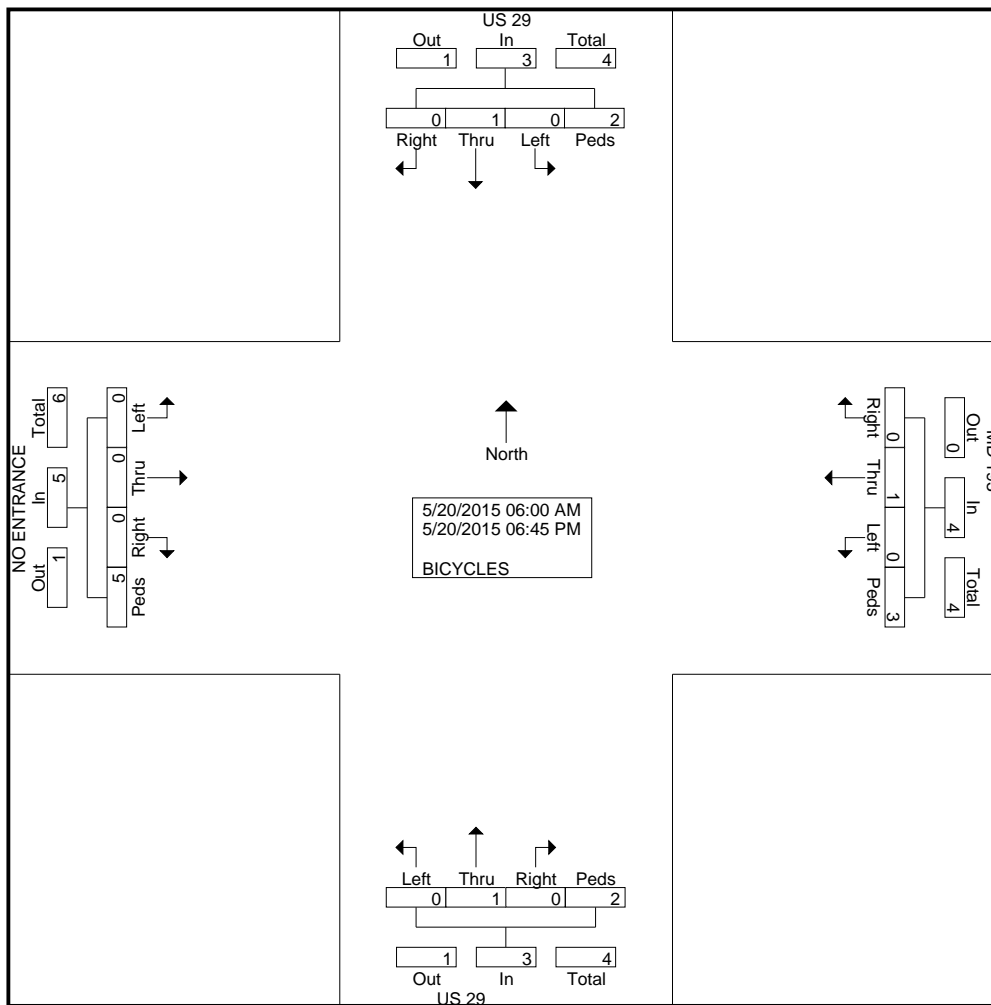
443-741-3500

File Name : US 29 at MD 193 WB

Site Code : 00000000

Start Date : 5/20/2015

Page No : 2

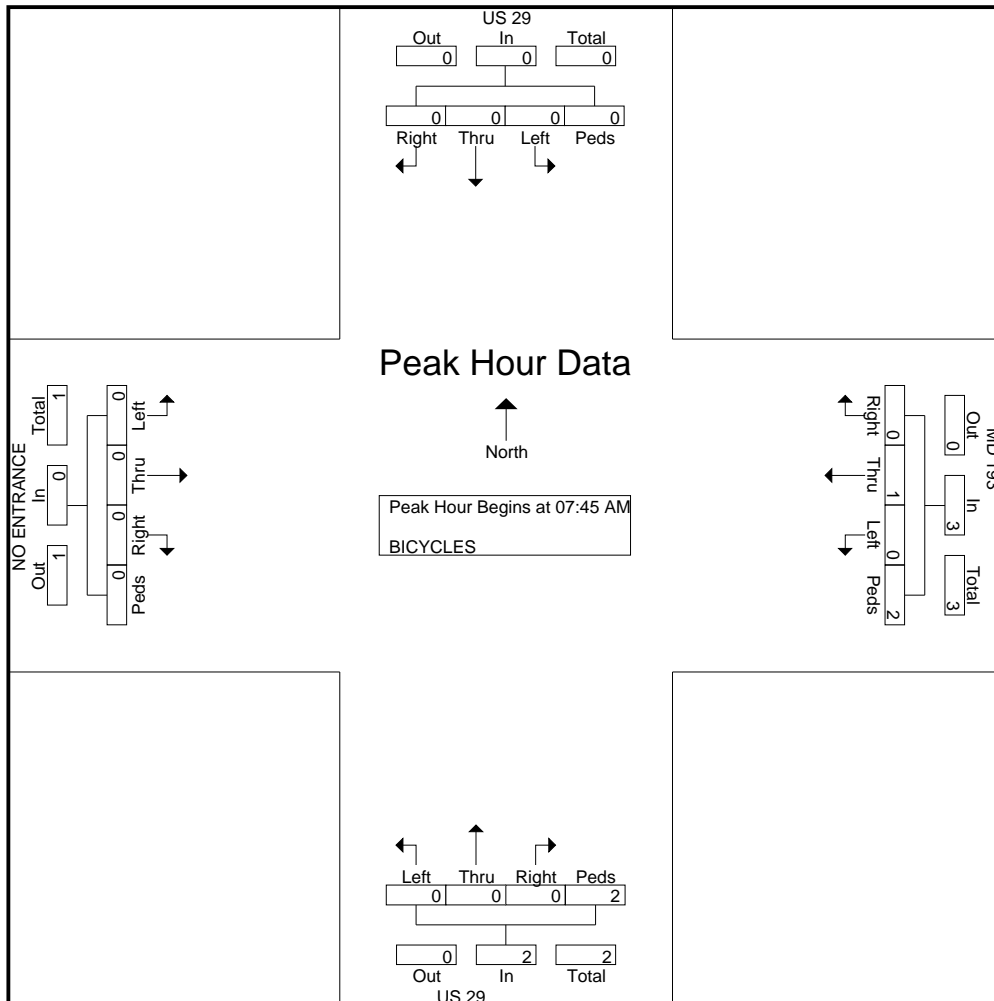


# Sabra, Wang & Assoc, Inc

7055 Samuel Morse Dr, Suite 100  
Columbia, MD 21046  
443-741-3500

File Name : US 29 at MD 193 WB  
Site Code : 00000000  
Start Date : 5/20/2015  
Page No : 3

Start Time	US 29 From North					MD 193 From East					US 29 From South					NO ENTRANCE From West					Int. Total
	Right	Thru	Left	Peds	App. Total	Right	Thru	Left	Peds	App. Total	Right	Thru	Left	Peds	App. Total	Right	Thru	Left	Peds	App. Total	
Peak Hour Analysis From 06:00 AM to 11:45 AM - Peak 1 of 1																					
Peak Hour for Entire Intersection Begins at 07:45 AM																					
07:45 AM	0	0	0	0	0	0	0	0	0	0	0	0	0	0	0	0	0	0	0	0	0
08:00 AM	0	0	0	0	0	0	0	0	0	0	0	0	0	0	0	0	0	0	0	0	0
08:15 AM	0	0	0	0	0	0	0	0	0	0	0	0	0	0	0	0	0	0	0	0	0
08:30 AM	0	0	0	0	0	0	1	0	2	3	0	0	0	2	2	0	0	0	0	0	0
Total Volume	0	0	0	0	0	0	1	0	2	3	0	0	0	2	2	0	0	0	0	0	0
% App. Total	0	0	0	0	0	0	33.3	0	66.7		0	0	0	100		0	0	0	0	0	
PHF	.000	.000	.000	.000	.000	.000	.250	.000	.250	.250	.000	.000	.000	.250	.250	.000	.000	.000	.000	.000	.250



# Sabra, Wang & Assoc, Inc

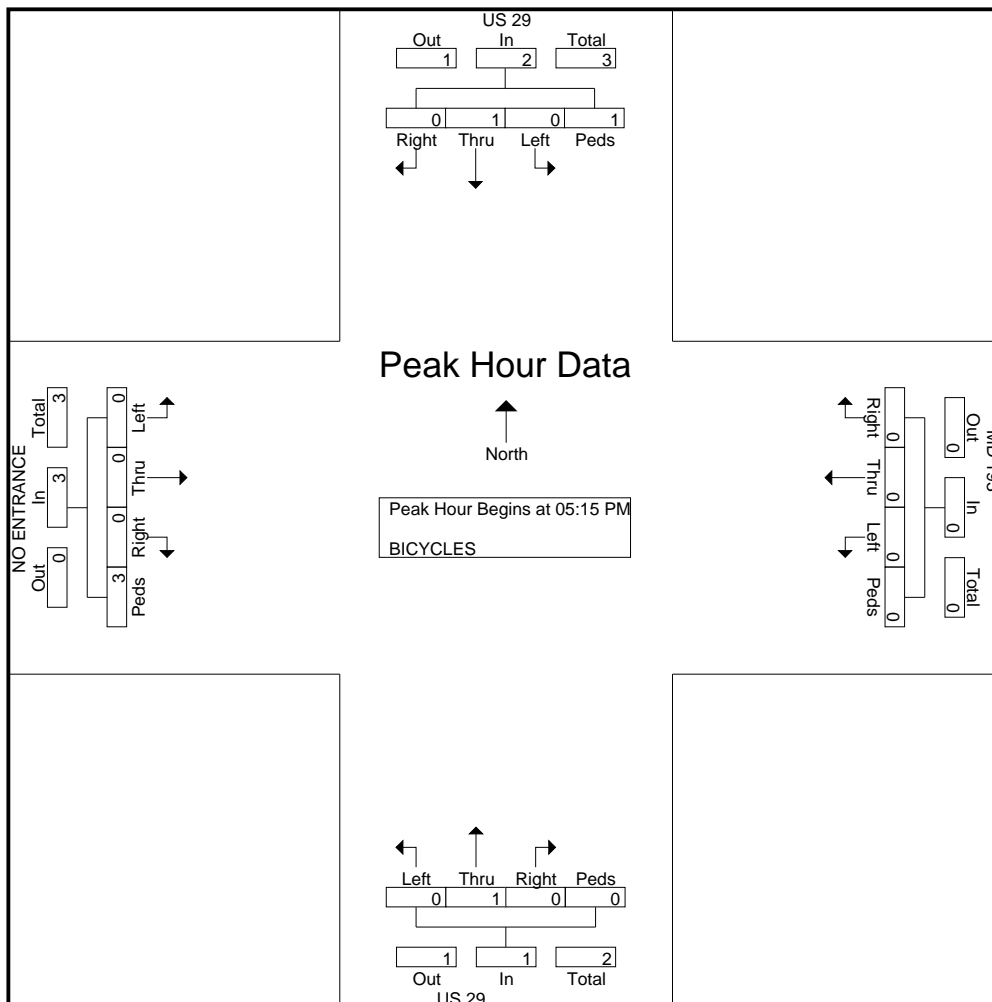
7055 Samuel Morse Dr, Suite 100  
Columbia, MD 21046  
443-741-3500

File Name : US 29 at MD 193 WB  
Site Code : 00000000  
Start Date : 5/20/2015  
Page No : 4

Start Time	US 29 From North					MD 193 From East					US 29 From South					NO ENTRANCE From West					Int. Total
	Right	Thru	Left	Peds	App. Total	Right	Thru	Left	Peds	App. Total	Right	Thru	Left	Peds	App. Total	Right	Thru	Left	Peds	App. Total	
05:15 PM	0	1	0	1	2	0	0	0	0	0	0	0	0	0	0	0	0	0	2	2	4
05:30 PM	0	0	0	0	0	0	0	0	0	0	0	0	0	0	0	0	0	0	0	0	0
05:45 PM	0	0	0	0	0	0	0	0	0	0	0	0	0	0	0	0	0	0	0	0	0
06:00 PM	0	0	0	0	0	0	0	0	0	0	0	1	0	0	1	0	0	0	1	1	2
Total Volume	0	1	0	1	2	0	0	0	0	0	0	1	0	0	1	0	0	0	3	3	6
% App. Total	0	50	0	50		0	0	0	0		0	100	0	0		0	0	0	100		
PHF	.000	.250	.000	.250	.250	.000	.000	.000	.000	.000	.000	.250	.000	.000	.250	.000	.000	.000	.375	.375	.375

Peak Hour Analysis From 12:00 PM to 06:45 PM - Peak 1 of 1

Peak Hour for Entire Intersection Begins at 05:15 PM



# Sabra, Wang & Assoc, Inc

7055 Samuel Morse Dr, Suite 100

Columbia, MD 21046

443-741-3500

Weather: SUNNY  
 Counted By: CHANEL  
 Town: WHITE OAK  
 County: MONTGOMERY

File Name : US 29 at Prelude Dr  
 Site Code : 00000000  
 Start Date : 5/20/2015  
 Page No : 1

## Groups Printed- VEHS&PEDS

Start Time	US 29 From North					NO ENTRANCE From East					US 29 From South					PRELUDE DR From West					Int. Total
	Right	Thru	Left	Peds	App. Total	Right	Thru	Left	Peds	App. Total	Right	Thru	Left	Peds	App. Total	Right	Thru	Left	Peds	App. Total	
06:00 AM	0	628	0	1	629	0	0	0	0	0	0	121	0	0	121	14	0	11	0	25	775
06:15 AM	3	824	0	1	828	0	0	0	0	0	0	150	1	0	151	14	0	11	0	25	1004
06:30 AM	3	945	0	0	948	0	0	0	0	0	0	217	5	0	222	12	0	12	1	25	1195
06:45 AM	3	837	0	3	843	0	0	0	0	0	0	257	1	0	258	25	0	14	0	39	1140
Total	9	3234	0	5	3248	0	0	0	0	0	0	745	7	0	752	65	0	48	1	114	4114
07:00 AM	2	754	0	0	756	0	0	0	0	0	0	290	10	0	300	16	0	17	0	33	1089
07:15 AM	1	752	0	1	754	0	0	0	0	0	0	369	5	0	374	14	0	15	0	29	1157
07:30 AM	1	739	0	1	741	0	0	0	0	0	0	378	7	0	385	17	0	32	2	51	1177
07:45 AM	2	734	0	2	738	0	0	0	0	0	0	397	4	0	401	25	0	25	0	50	1189
Total	6	2979	0	4	2989	0	0	0	0	0	0	1434	26	0	1460	72	0	89	2	163	4612
08:00 AM	1	694	0	3	698	0	0	0	0	0	0	417	4	0	421	14	0	27	0	41	1160
08:15 AM	2	671	0	5	678	0	0	0	0	0	0	473	3	0	476	22	0	28	1	51	1205
08:30 AM	3	690	0	0	693	0	0	0	0	0	0	374	5	0	379	13	0	21	1	35	1107
08:45 AM	2	727	0	1	730	0	0	0	0	0	0	408	5	0	413	15	0	13	0	28	1171
Total	8	2782	0	9	2799	0	0	0	0	0	0	1672	17	0	1689	64	0	89	2	155	4643
09:00 AM	8	696	0	4	708	0	0	0	0	0	0	402	4	0	406	23	0	22	0	45	1159
09:15 AM	3	664	0	1	668	0	0	0	0	0	0	397	8	0	405	14	0	18	0	32	1105
09:30 AM	4	579	0	3	586	0	0	0	0	0	0	335	5	0	340	12	0	23	1	36	962
09:45 AM	3	554	0	2	559	0	0	0	0	0	0	356	3	0	359	8	0	20	1	29	947
Total	18	2493	0	10	2521	0	0	0	0	0	0	1490	20	0	1510	57	0	83	2	142	4173
*** BREAK ***																					
04:00 PM	4	484	0	4	492	0	0	0	0	0	0	708	12	0	720	7	0	12	1	20	1232
04:15 PM	9	525	0	7	541	0	0	0	0	0	0	732	9	0	741	6	0	17	1	24	1306
04:30 PM	7	482	0	3	492	0	0	0	0	0	0	691	17	0	708	8	0	19	0	27	1227
04:45 PM	5	500	0	0	505	0	0	0	0	0	0	720	15	0	735	6	0	10	0	16	1256
Total	25	1991	0	14	2030	0	0	0	0	0	0	2851	53	0	2904	27	0	58	2	87	5021
05:00 PM	4	560	0	6	570	0	0	0	0	0	0	759	12	0	771	7	0	15	1	23	1364
05:15 PM	5	571	0	0	576	0	0	0	0	0	0	766	9	0	775	10	0	19	0	29	1380
05:30 PM	6	563	0	0	569	0	0	0	0	0	0	770	10	0	780	11	0	22	0	33	1382
05:45 PM	2	554	0	0	556	0	0	0	0	0	0	749	11	0	760	15	0	26	1	42	1358
Total	17	2248	0	6	2271	0	0	0	0	0	0	3044	42	0	3086	43	0	82	2	127	5484
06:00 PM	3	491	0	0	494	0	0	0	0	0	0	712	12	0	724	16	0	24	0	40	1258
06:15 PM	4	477	0	0	481	0	0	0	0	0	0	690	8	0	698	11	0	20	0	31	1210
06:30 PM	2	439	0	0	441	0	0	0	0	0	0	681	6	0	687	7	0	14	0	21	1149
06:45 PM	1	422	0	0	423	0	0	0	0	0	0	676	5	0	681	6	0	12	0	18	1122
Total	10	1829	0	0	1839	0	0	0	0	0	0	2759	31	0	2790	40	0	70	0	110	4739
Grand Total	93	17556	0	48	17697	0	0	0	0	0	0	13995	196	0	14191	368	0	519	11	898	32786
Apprch %	0.5	99.2	0	0.3		0	0	0	0	0	0	98.6	1.4	0		41	0	57.8	1.2		
Total %	0.3	53.5	0	0.1	54	0	0	0	0	0	0	42.7	0.6	0	43.3	1.1	0	1.6	0	2.7	

# Sabra, Wang & Assoc, Inc

7055 Samuel Morse Dr, Suite 100  
Columbia, MD 21046

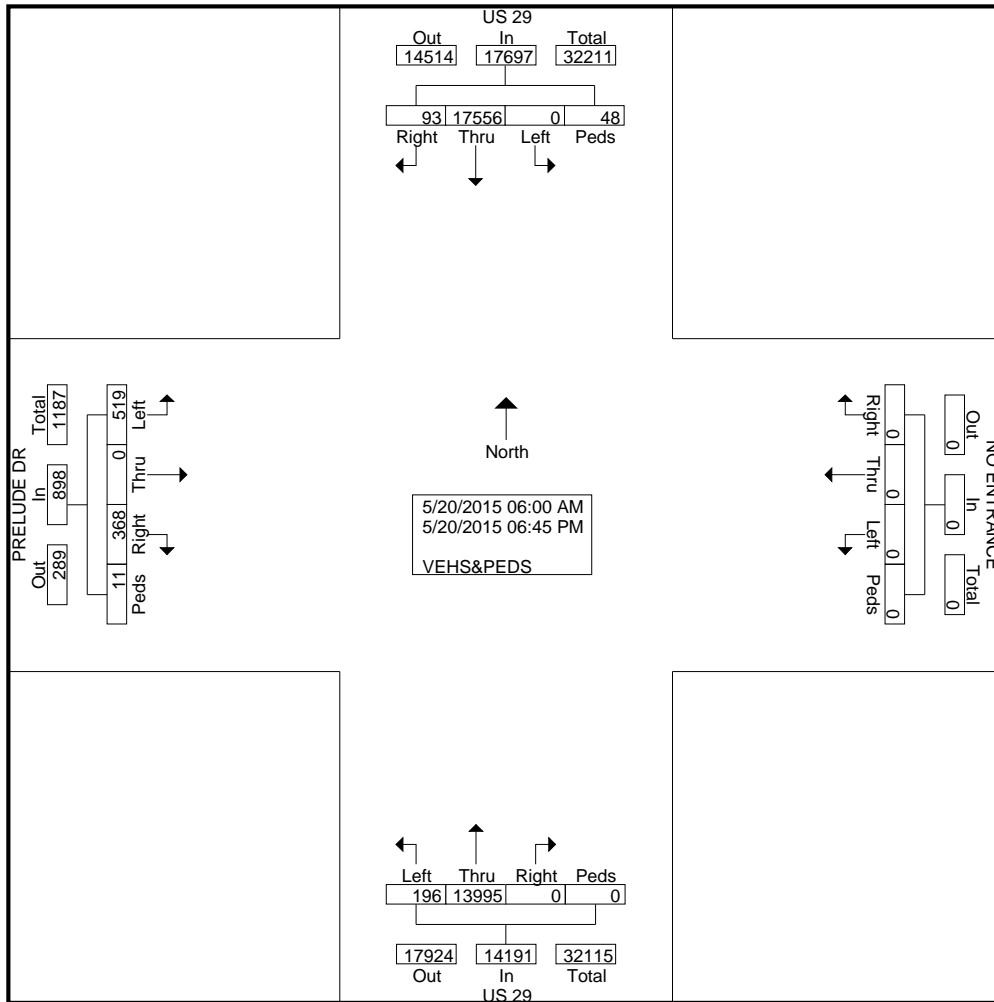
443-741-3500

File Name : US 29 at Prelude Dr

Site Code : 00000000

Start Date : 5/20/2015

Page No : 2

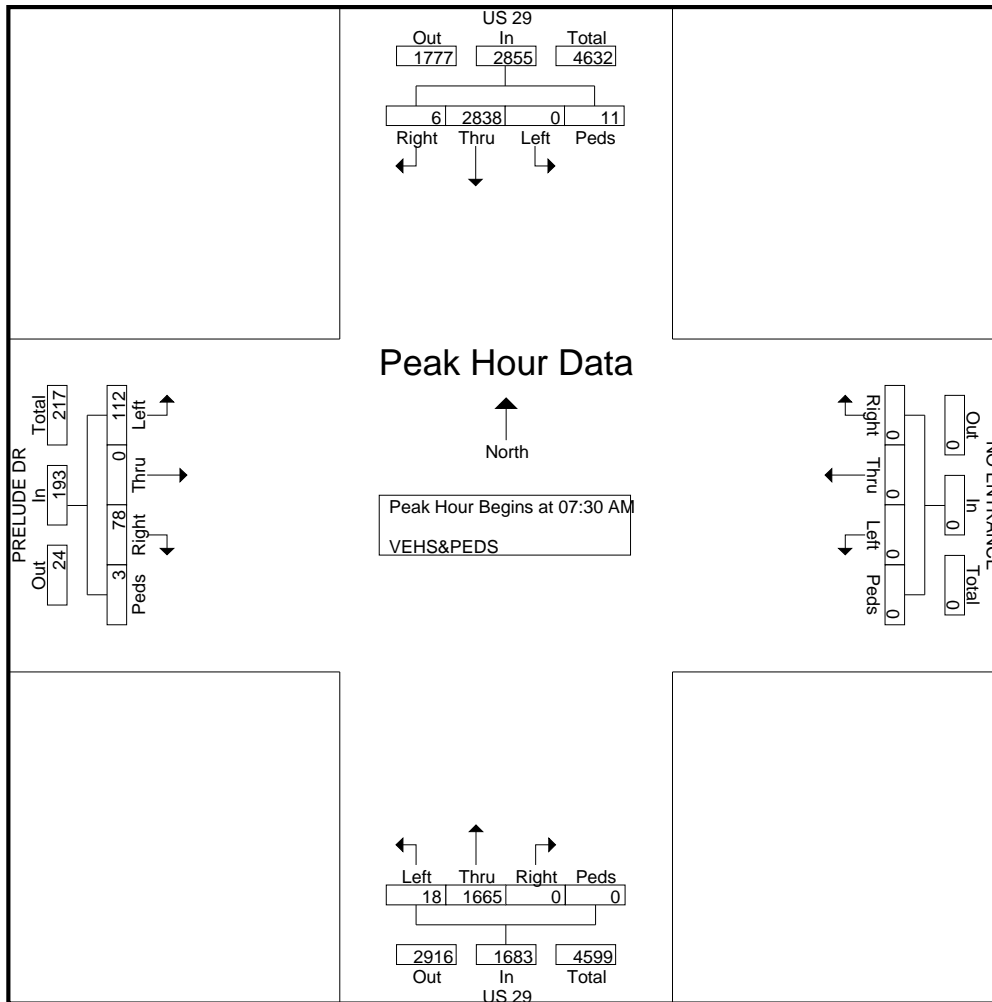


# Sabra, Wang & Assoc, Inc

7055 Samuel Morse Dr, Suite 100  
Columbia, MD 21046  
443-741-3500

File Name : US 29 at Prelude Dr  
Site Code : 00000000  
Start Date : 5/20/2015  
Page No : 3

Start Time	US 29 From North					NO ENTRANCE From East					US 29 From South					PRELUDE DR From West					Int. Total
	Right	Thru	Left	Peds	App. Total	Right	Thru	Left	Peds	App. Total	Right	Thru	Left	Peds	App. Total	Right	Thru	Left	Peds	App. Total	
Peak Hour Analysis From 06:00 AM to 11:45 AM - Peak 1 of 1																					
Peak Hour for Entire Intersection Begins at 07:30 AM																					
07:30 AM	1	739	0	1	741	0	0	0	0	0	0	378	7	0	385	17	0	32	2	51	1177
07:45 AM	2	734	0	2	738	0	0	0	0	0	0	397	4	0	401	25	0	25	0	50	1189
08:00 AM	1	694	0	3	698	0	0	0	0	0	0	417	4	0	421	14	0	27	0	41	1160
08:15 AM	2	671	0	5	678	0	0	0	0	0	0	473	3	0	476	22	0	28	1	51	1205
Total Volume	6	2838	0	11	2855	0	0	0	0	0	0	1665	18	0	1683	78	0	112	3	193	4731
% App. Total	0.2	99.4	0	0.4		0	0	0	0		0	98.9	1.1	0		40.4	0	58	1.6		
PHF	.750	.960	.000	.550	.963	.000	.000	.000	.000	.000	.000	.880	.643	.000	.884	.780	.000	.875	.375	.946	.982



# Sabra, Wang & Assoc, Inc

7055 Samuel Morse Dr, Suite 100  
Columbia, MD 21046  
443-741-3500

File Name : US 29 at Prelude Dr  
Site Code : 00000000  
Start Date : 5/20/2015  
Page No : 4

Start Time	US 29 From North					NO ENTRANCE From East					US 29 From South					PRELUDE DR From West					Int. Total
	Rig ht	Thr u	Left	Ped s	App. Total	Rig ht	Thr u	Left	Ped s	App. Total	Right	Thr u	Left	Peds	App. Total	Right	Thr u	Left	Peds	App. Total	
Peak Hour Analysis From 12:00 PM to 06:45 PM - Peak 1 of 1																					
Peak Hour for Entire Intersection Begins at 05:00 PM																					
05:00 PM	4	560	0	6	570	0	0	0	0	0	0	759	12	0	771	7	0	15	1	23	1364
05:15 PM	5	571	0	0	576	0	0	0	0	0	0	766	9	0	775	10	0	19	0	29	1380
05:30 PM	6	563	0	0	569	0	0	0	0	0	0	770	10	0	780	11	0	22	0	33	1382
05:45 PM	2	554	0	0	556	0	0	0	0	0	0	749	11	0	760	15	0	26	1	42	1358
Total Volume	17	2248	0	6	2271	0	0	0	0	0	0	3044	42	0	3086	43	0	82	2	127	5484
% App. Total	0.7	99	0	0.3		0	0	0	0	0	0	98.6	1.4	0		33.9	0	64.6	1.6		
PHF	.708	.984	.000	.250	.986	.000	.000	.000	.000	.000	.000	.988	.875	.000	.989	.717	.000	.788	.500	.756	.992

